



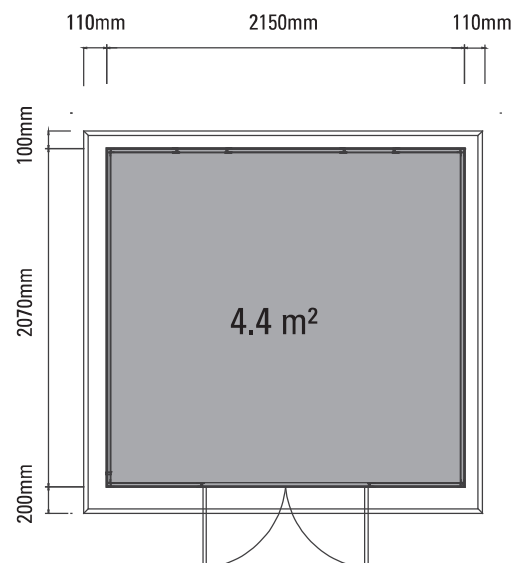
# Installation instructions

Garden Sheds Elio:

L7151120

L7151114

L7151115



Dear customer,

Thanks for your choice of our WPC Garden Sheds.

Please read the components list BEFORE assembly, make sure that no parts are damaged or missing.

Go through the complete assembly instructions again.

Assemble all parts according to the instructions in this manual and do not skip any work step.

Treat the wall panels with extreme care before and during assembly. Carefully place them on the ground. Avoid stepping on or placing objects on it.

At least two people are required to assemble the garden sheds.

Recommendation: Build a base of wood / composite or concrete as a foundation.

Leave enough space at the installation site outside of the WPC house so that you can access the WPC Garden sheds from the outside during assembly.

Remove all parts from the packaging and spread them out on a clean work surface by Area I / II and III.

Due to the high proportion of wood, the surface may have different shades and change color over time. This does not require special treatment, nor does it affect the life of the WPC Garden sheds.

If you want to paint the WPC house, please ask a professional painter for advice on choosing the right colors for the wood-plastic composite material.

Do not use aggressive cleaning agents as these can stain or damage the WPC house.

## CARE AND SAFETY INSTRUCTIONS

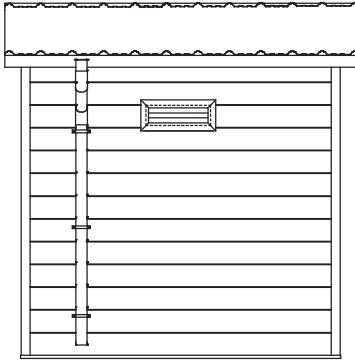
- The garden shed is generally used for storing objects. The WPC house is not especially designed for residential purposes.
- It is recommended to anchor the WPC house on an immovable object / foundation (as storm protection).
- Do not set up on windy or cold days.
- Check the WPC house regularly for stability and make sure that the location is level.
- Be careful when handling parts with steel edges.
- For the construction and handling of the WPC house, please only use tools that are listed in the assembly instructions.
- Always wear work gloves, safety glasses and items of clothing with long sleeves when assembling the garden shed or performing maintenance work.
- Avoid using lawnmowers and mechanical scythe in the immediate vicinity of the WPC house.
- Always wear safety goggles and always follow the manufacturer's instructions when using power tools.
- Clean the WPC house with a garden hose and a mild detergent. You can use a hard brush but not abrasive or degreasing agents as well as cleaning agents containing oil or acetone, as these can stain or damage the dandruff.
- Do not store any hot objects in the WPC house, such as recently used grills or blowtorches, or any volatile chemicals.
- Do not lean heavy objects against the walls of the WPC house, as this could distort the entire WPC house.
- Keep the roof free of snow and accumulated foliage. Large amounts of snow can damage the WPC house and become dangerous when entering.
- Make sure there is sufficient ventilation at the WPC house. This way you avoid moisture.
- Cover the roof of the WPC house with a tight roof covering. Pay attention to the roof slope. A self-adhesive sealing membrane is best suited.
- The wind direction is an important factor that must be taken into account when setting up the WPC house. Avoid excessive wind loads, especially high wind pressure on the doors. Always keep the doors closed and locked when the WPC house is not in use to avoid damage from wind loads.
- Please contact your local authority and inquire there if a permit is required to build the WPC house.

## WARRANTY LIMITED TO 5 YEARS

The 5-year warranty covers manufacturing or material defects in the product and applies from the date of the original purchase. (The term "defects" is definitely used as impairments that reduce the use of the product).

This warranty does not cover defects that result from normal use and include abrasion, scratches or cracks caused by the use of the product, as well as discoloration, rust and damage due to improper use, misuse, carelessness, changes, painting, moving or transporting the product and "natural events", which include, among other things, hail damage, any form of storm, flood and fire, as well as indirect and associated damage as a result.

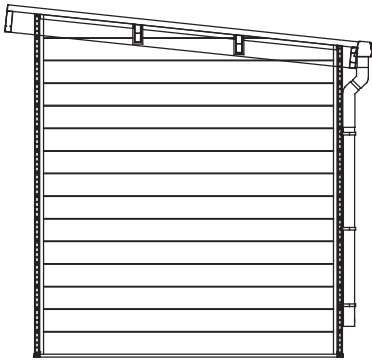
## View of sheds



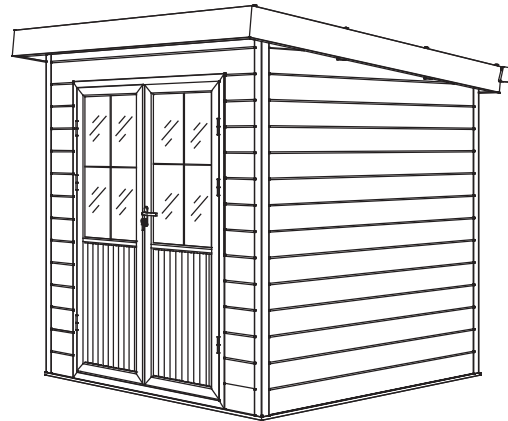
Back view



Front view

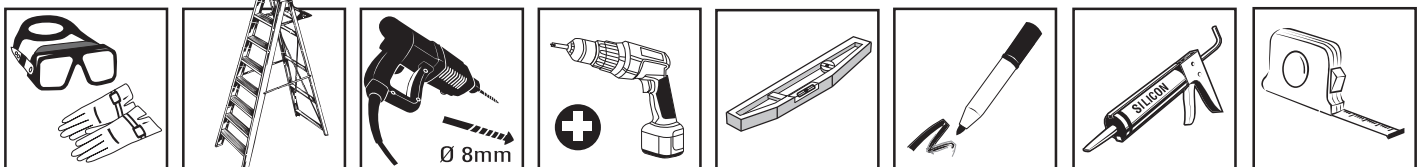


Side view

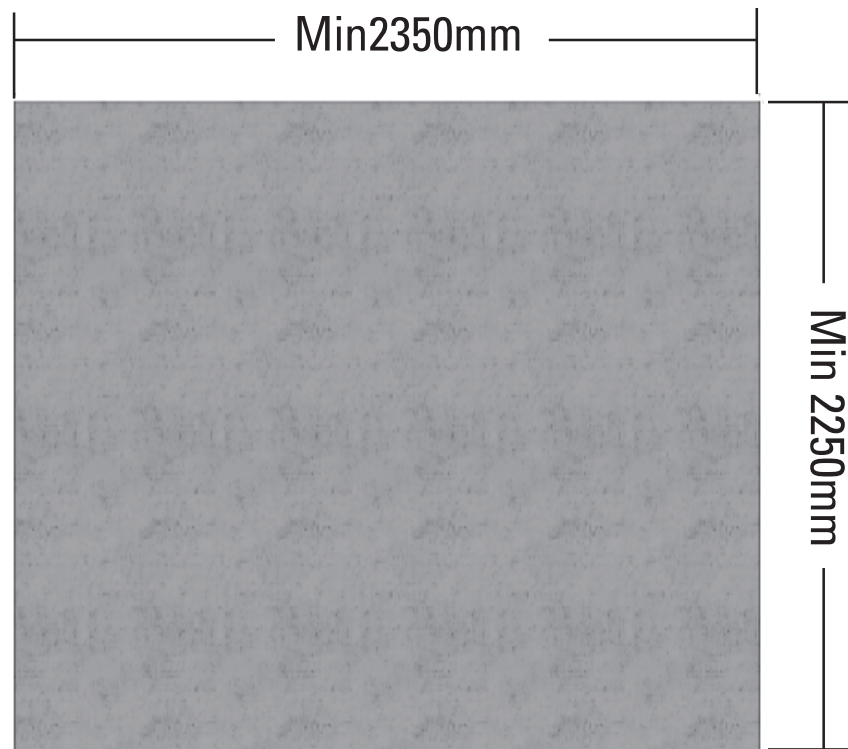


Axonometric view

## Tools required for installation



## Ground requirements:



## Foundation:



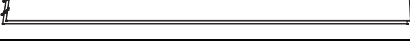
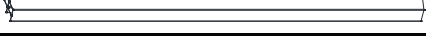
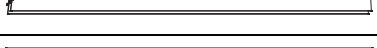
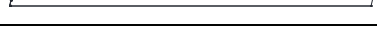
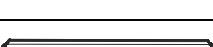



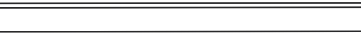
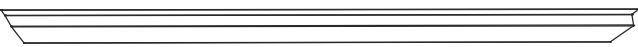

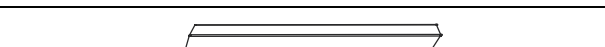











A good foundation is the most important fact to guarantee the safety and durability of your garden house.












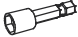



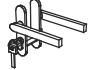
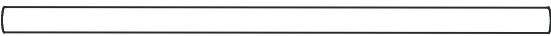



A foundation that is completely level and processed at right angles guarantees problem-free installation and durability of your garden shed. This is especially important for the exact fit of the doors.

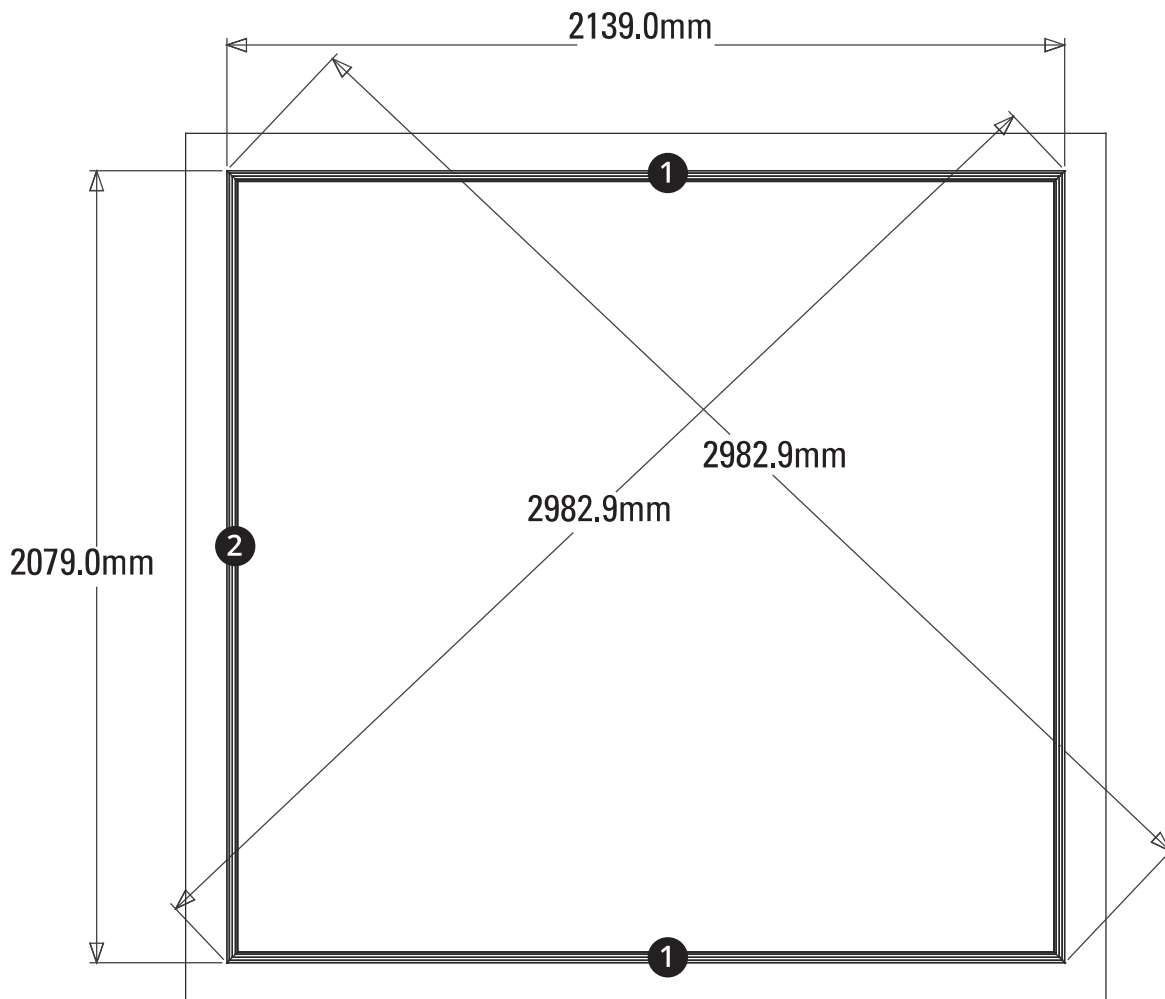
We recommend the following variants for your foundation:

- 1) Concrete or pavement slab foundation
- 2) Cast concrete foundation

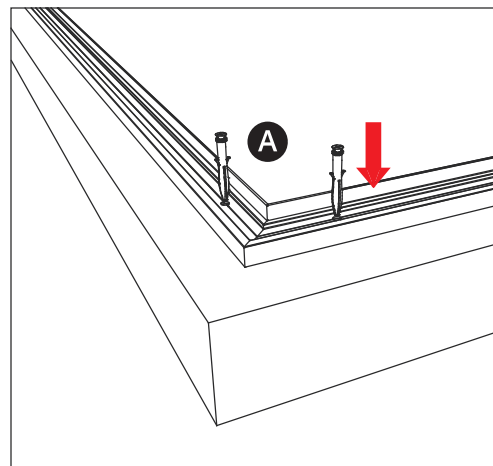
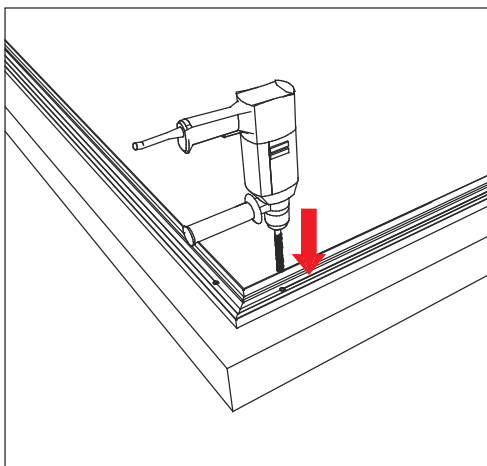
Please ask a specialist or have the work carried out by a specialist company.

NU	STRUCTURE	DESCRIPTION	QTY	Zone
1		Aluminum bottom frame 40x35 L = 2139mm	2	A
2		Aluminum bottom frame 40x35 L = 2079 mm	2	A
3		Aluminum bottom frame 60x60 L = 2289mm	1	A
4		Aluminum bottom frame 60x60 L = 2289mm	1	A
5		Aluminum bottom frame 60x60 L = 2078mm	1	A
6		Aluminum bottom frame 60x60 L = 2078mm	1	A
7		Door frame (up) 63x40 L = 1485mm	1	A
8		Door frame (down) 63x40 L = 1485mm	1	A
9		Door frame (left) 63x40 L = 2010mm	1	A
10		Door frame (right) 63x40 L = 2010mm	1	A
11		Aluminum roof top beam 120x40 L = 2260mm	2	B
12		Aluminum roof outer frame (Left & Right ) 180x40 L = 2370mm	2	B
13		Aluminum roof outer frame (Front) 180x40 L = 2350mm	1	B
14		Aluminum roof outer frame (Back) 140x40 L = 2350mm	1	B
15		Aluminum U profile 37x30 L = 630mm	6	B
16		Gutter for roof 133x91 L = 2370mm	1	B
17		Vent 500x205	1	A
18		Door kits 2000x1500	1	C
19		Roof panel 1100x25 L = 2370mm	3	C
20		WPC II Plank wall 160x28 L = 2054mm	15	A
21		WPC II Plank wall 160x28 L = 1994mm	26	A
22		WPC II Plank wall 160x28 L = 808mm	2	A
23		WPC II Plank wall 160x28 L = 313mm	26	A
24		WPC II Plank wall 160x28 L = 2054mm	2	A
25		WPC II Plank wall 97x28 L = 2054mm	1	A

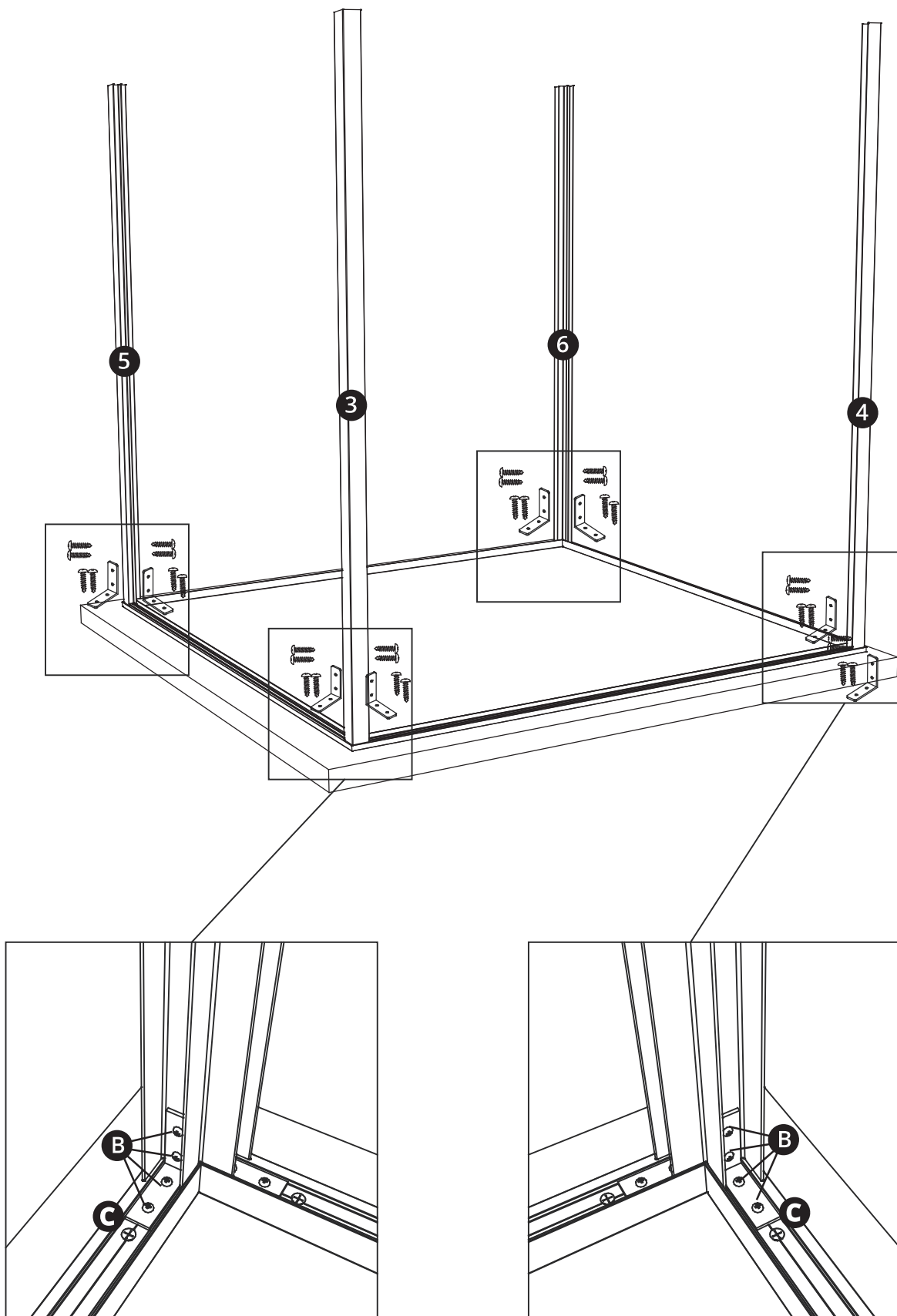
NU	STRUCTURE	DESCRIPTION	QTY	Zone
A		Plastic expansion screw 8x80	16	A
B		Screws 4x20	150	A
C		L connector for column 65x20 L = 65 mm	8	A
D		Door connector	4	A
E		Door frame mounting	8	A
F		Hexagon key	1	A
G		L connector for beams 40x40 L = 40mm	16	B
H		L connector for Roof frame	4	B
I		Beam clamp plug	4	B
J		Screws 5x75	50	C
K		Rain cap for roof screw	50	C
L		Screw bits	1	C
M		Gutter cover	1	C
N		Gutter cover	1	C
O		Roof plug	20	C
P		Door loc	1	C
Q		DownPipe φ75mm L = 2000 mm	1	C
R		DownPipe Elbow	3	C
S		DownPipe Clamp	3	C
T		DownPipe Joint	1	C



Frame out the installation area by chalk.  
 Check the leveling before start installation – the foundation is the key point  
 to guarantee your safe and durable garden sheds

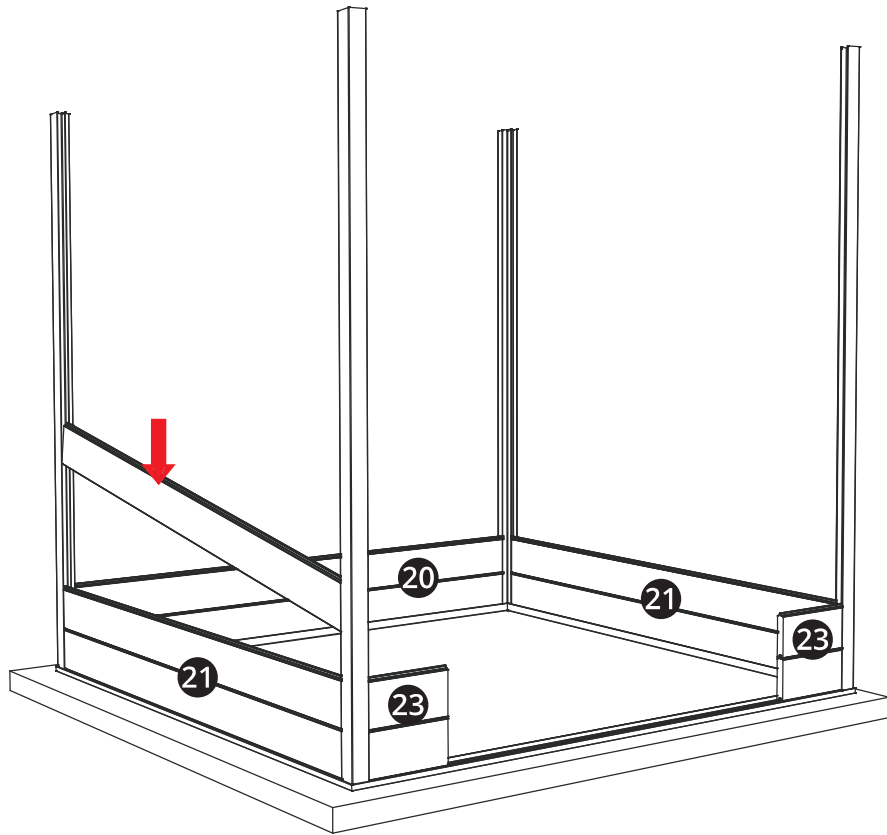


Put the plastic expansion tube through the hole and punch into the ground,  
 screwing into the tube as much as possible.

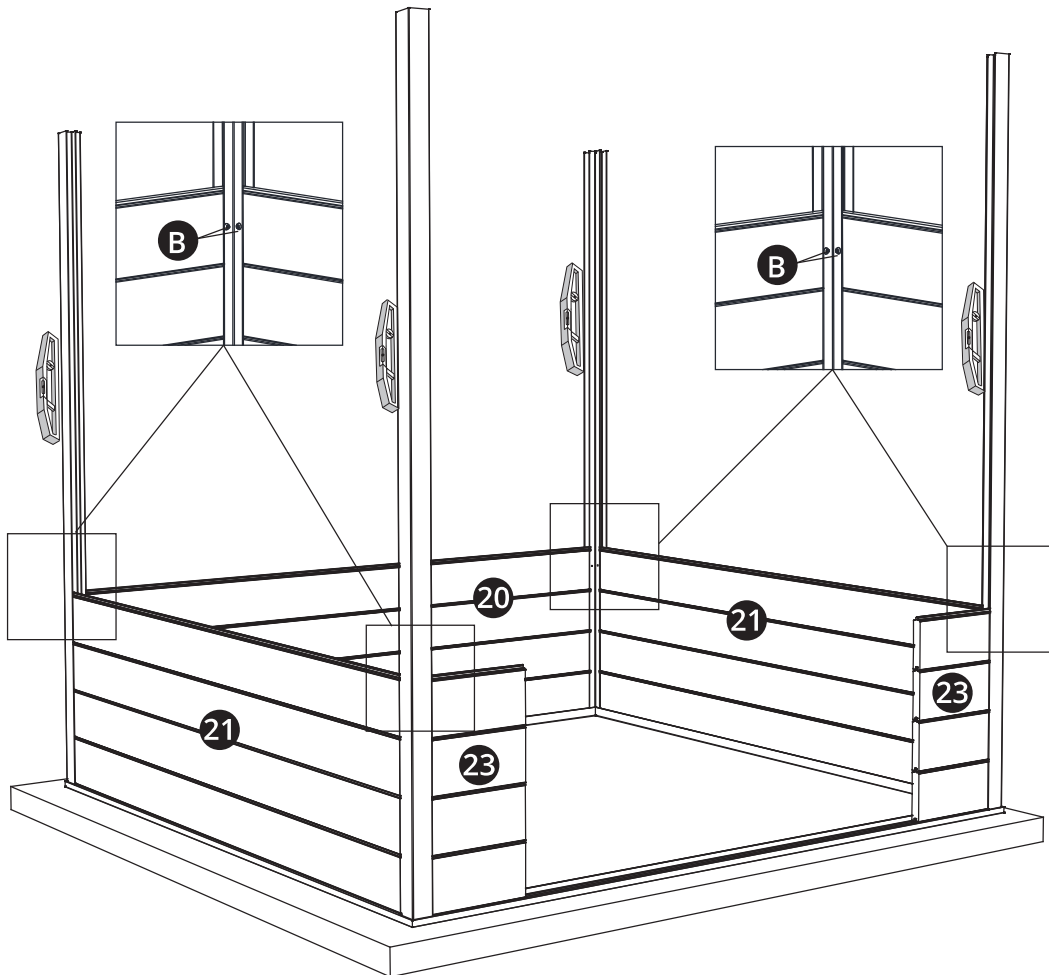


Put the column to the right position and fix them with L bracket and screws. Mind that there are column in different profile and height, make sure the column is vertical.

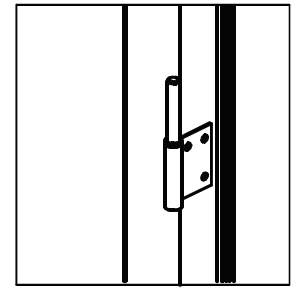
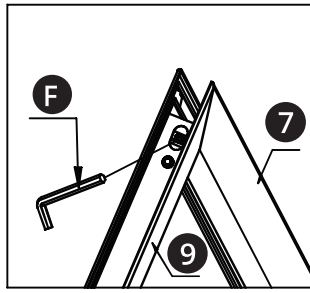
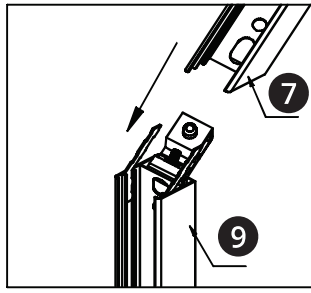
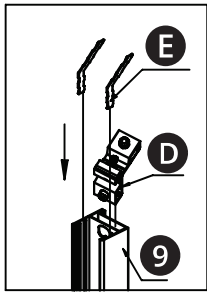




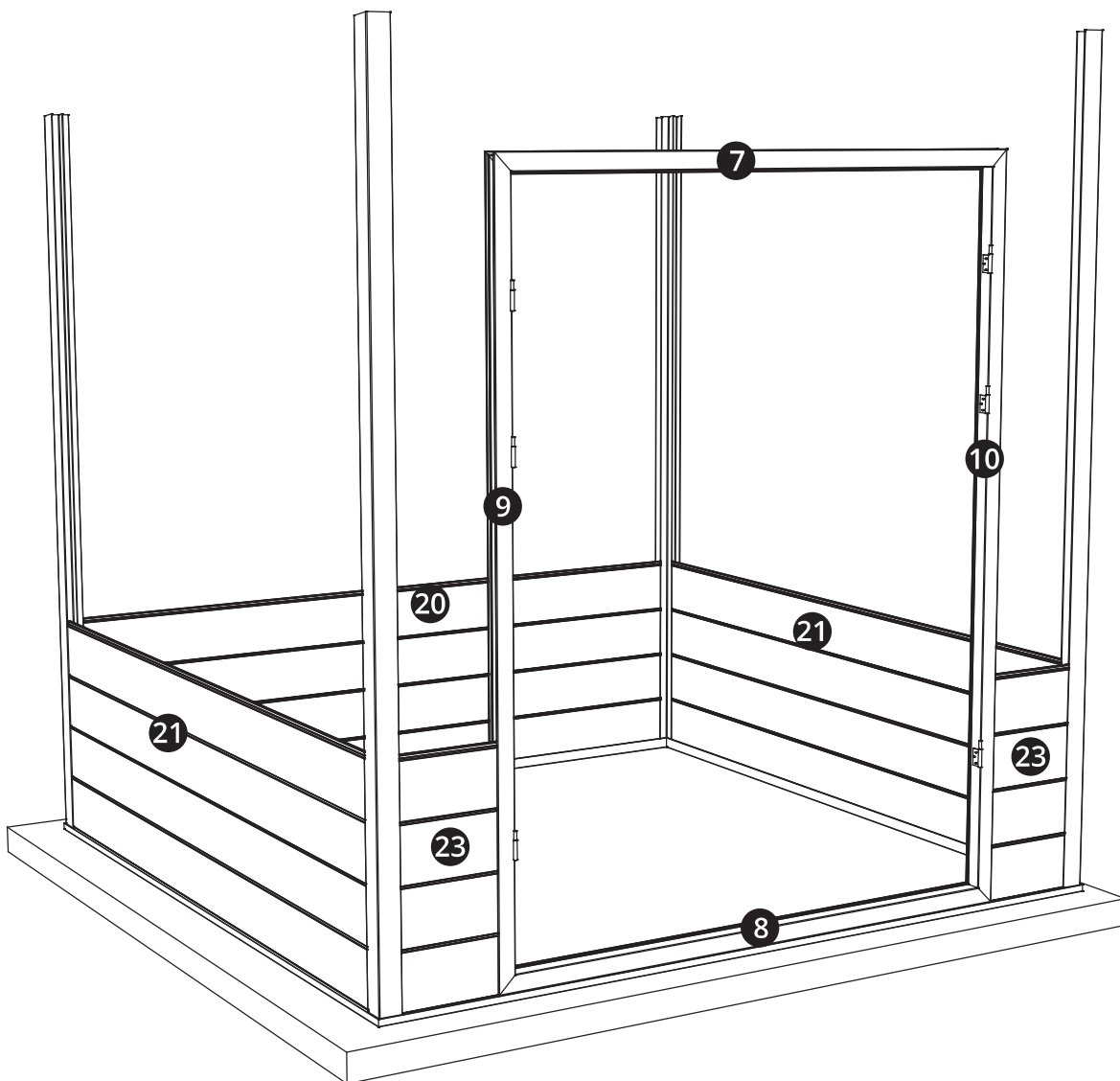
Clip the wallboard into the column slot.



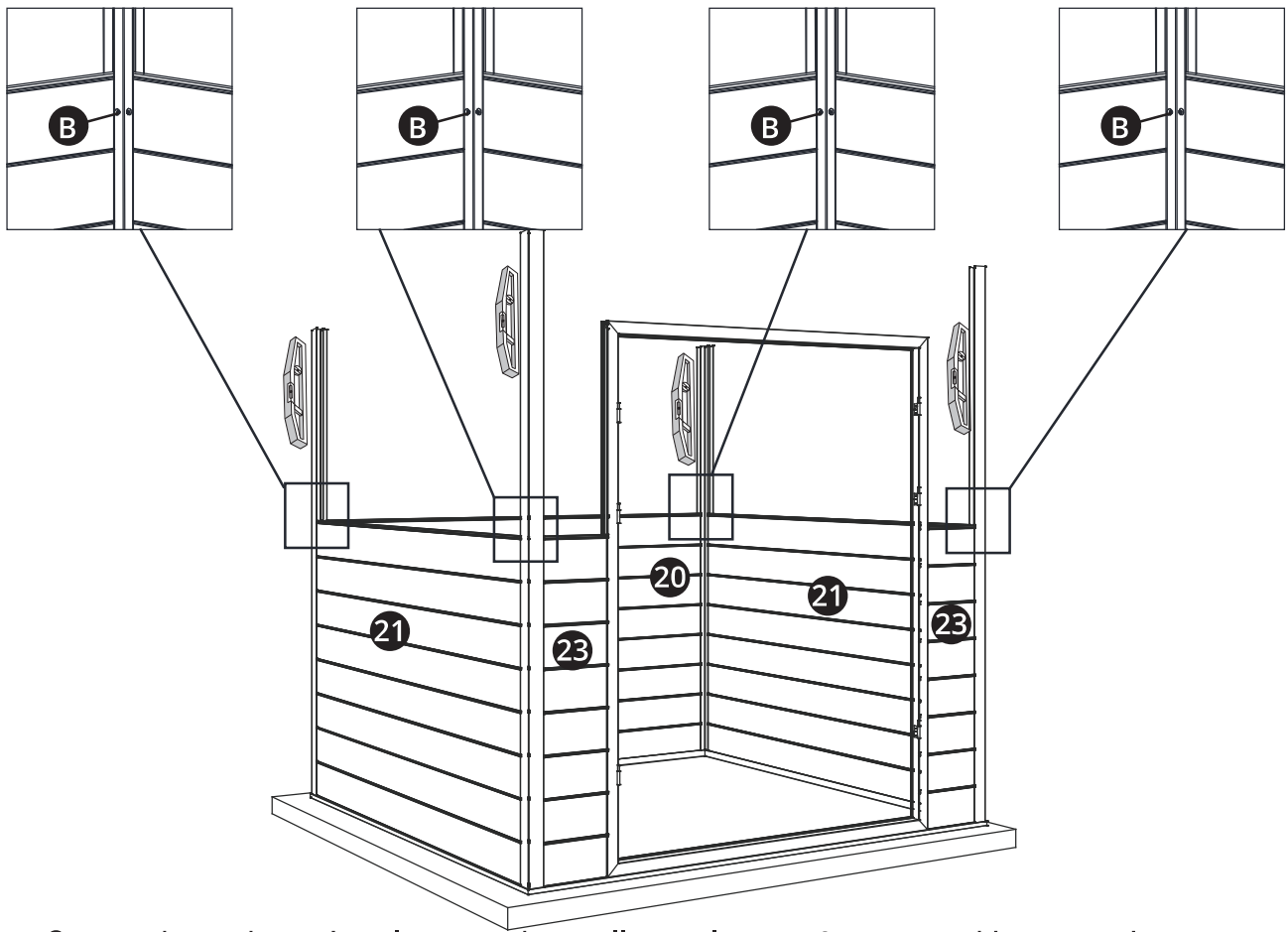
Screw through each column to the wall panel every 4 pcs – making sure the columns are vertical.



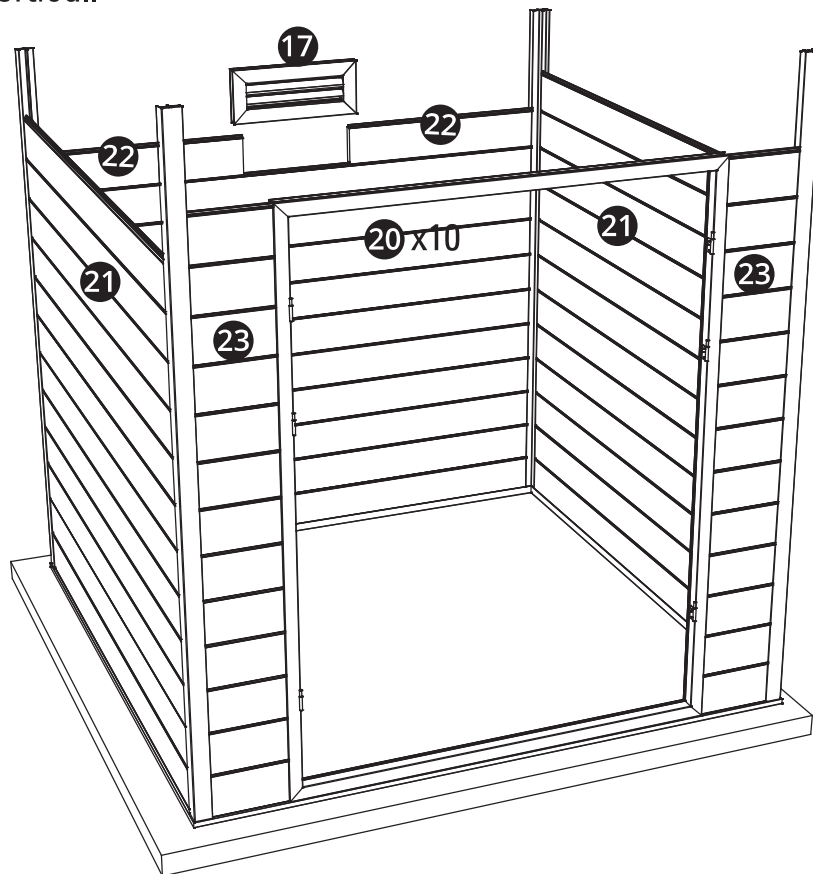
Fixing the door frame with connection acc. and fasten with hexagon key.



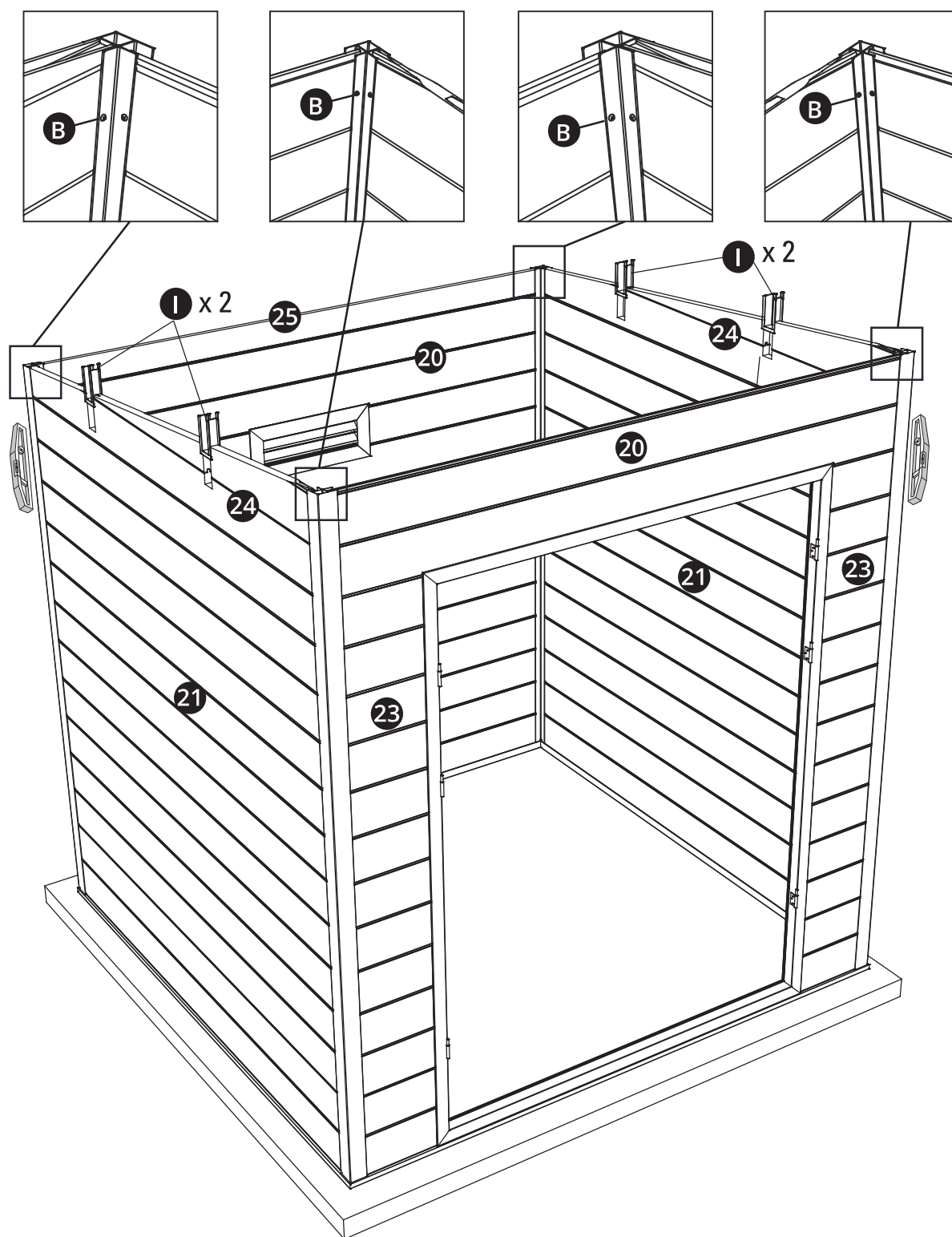
NOTE: The hinges is in front of the frame.



Screw through each column to the wall panel every 8 pcs – making sure the columns are vertical.

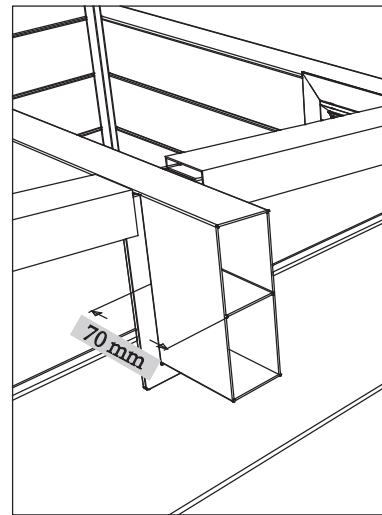
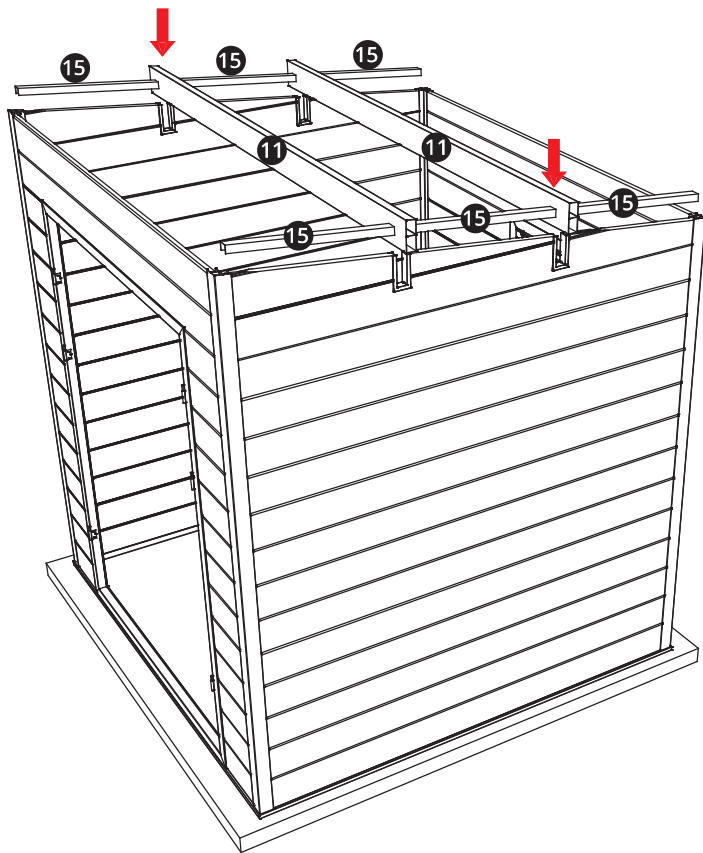


Put the vent kits upon the 10th pcs of wall panel back side - put the short wall panel as per picture



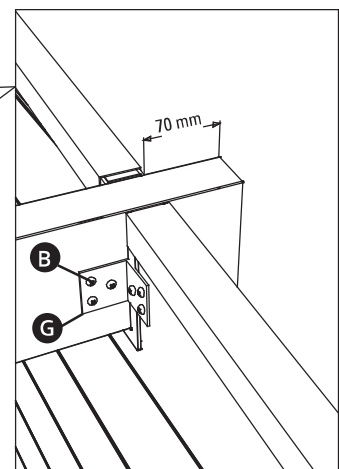
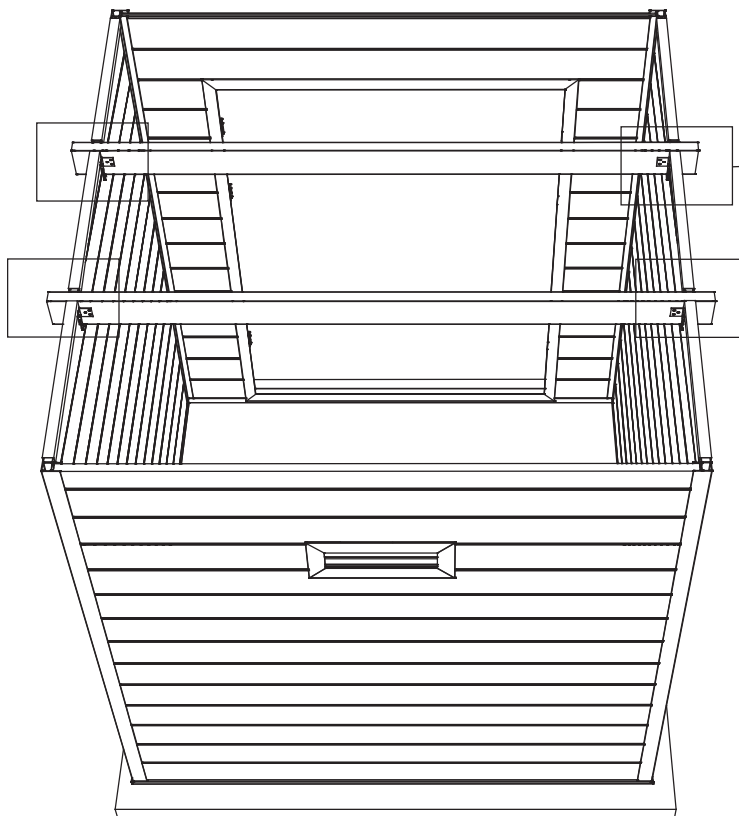
After the wallboard is installed in place in turn, fix it with screws at the connection between the top wall panel and the column  
 (Note: keep the column Vertical)

Clip the beam clip into the board slot

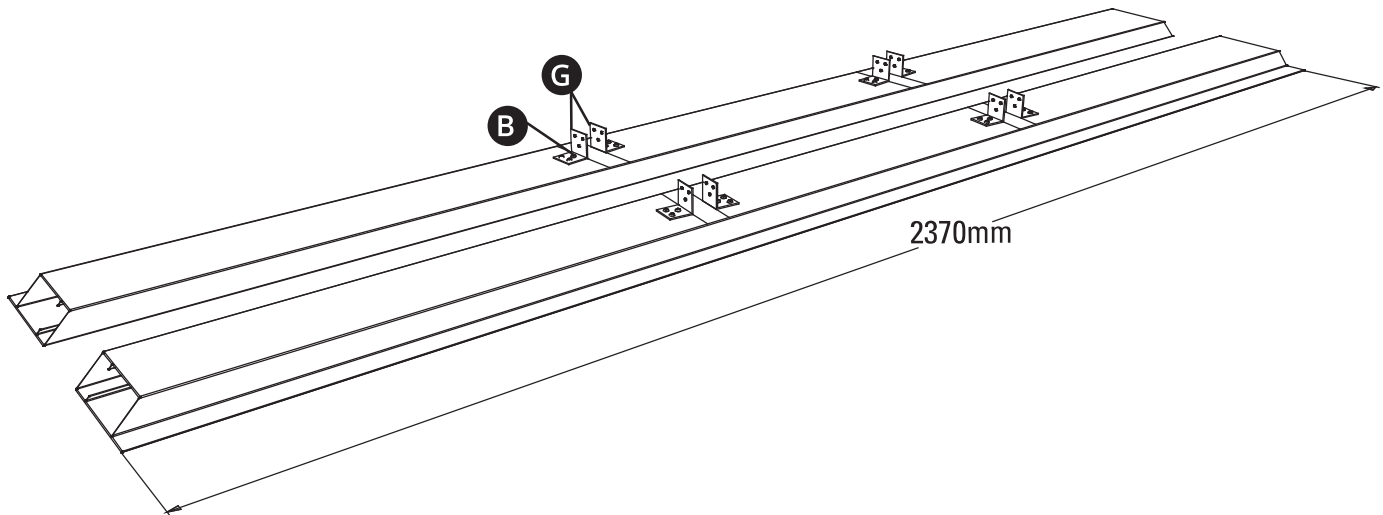
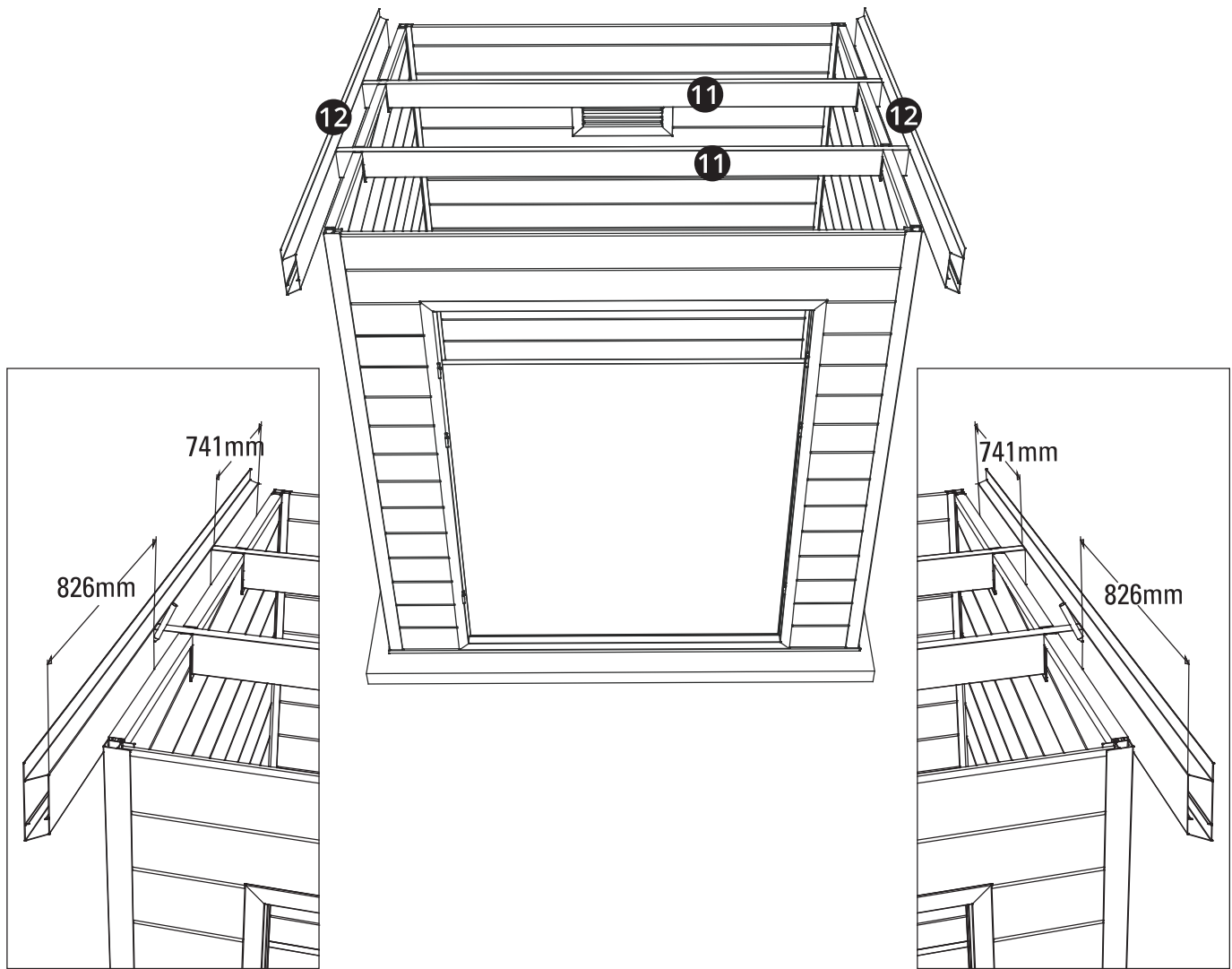


Fixing the L connectors to the beams, then put all beams into plugs, adjust the position of each beam.

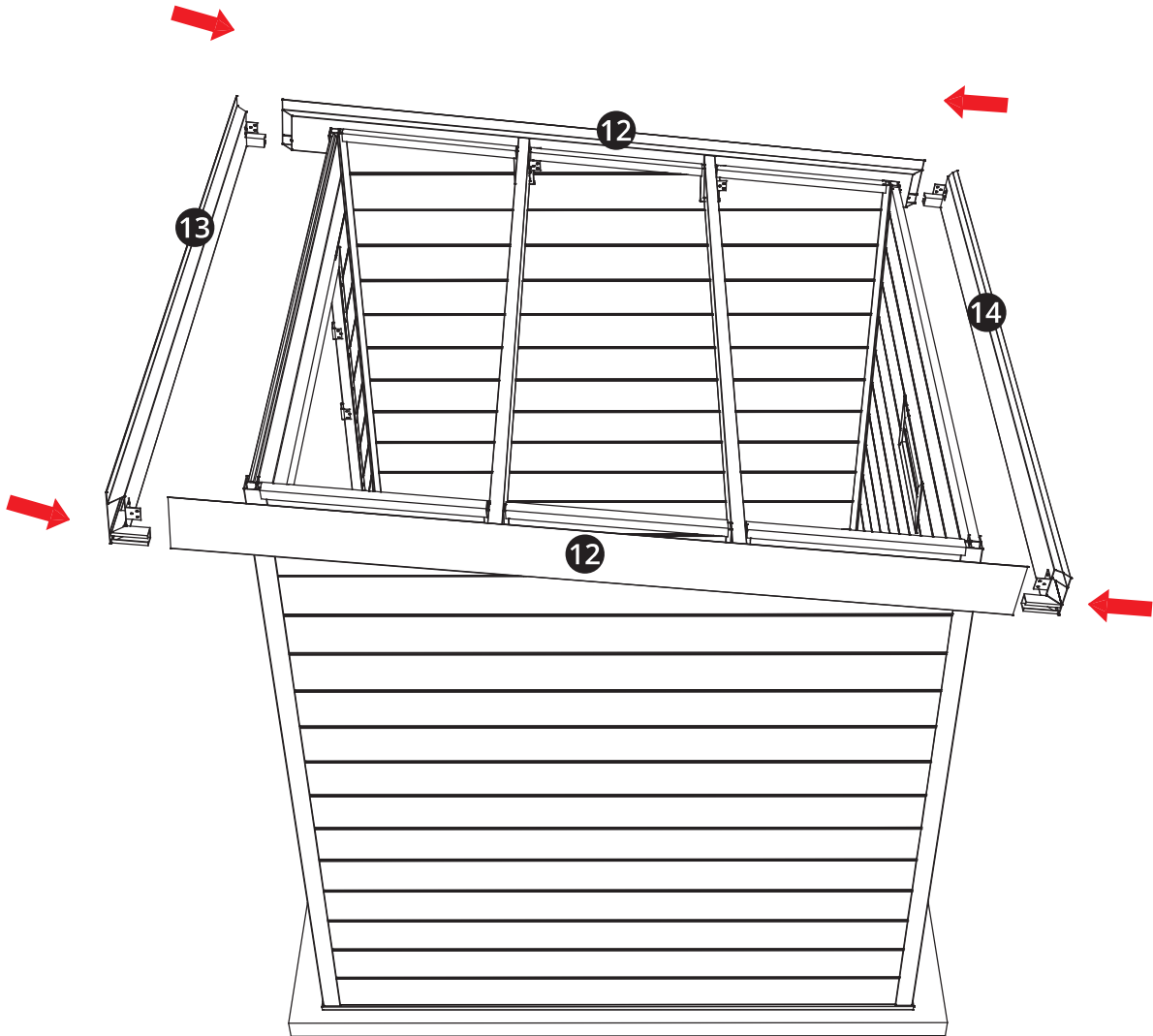
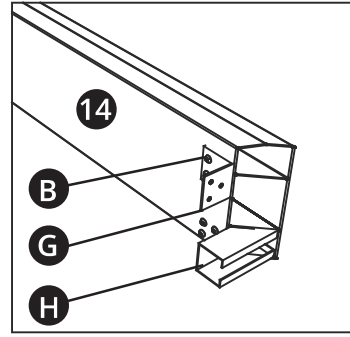
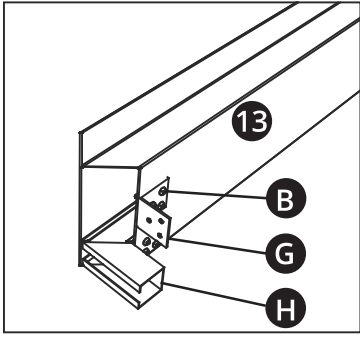
NOTE: The beam should extend front wall panel 70 mm. Keep as acute the extension dimension as possible.



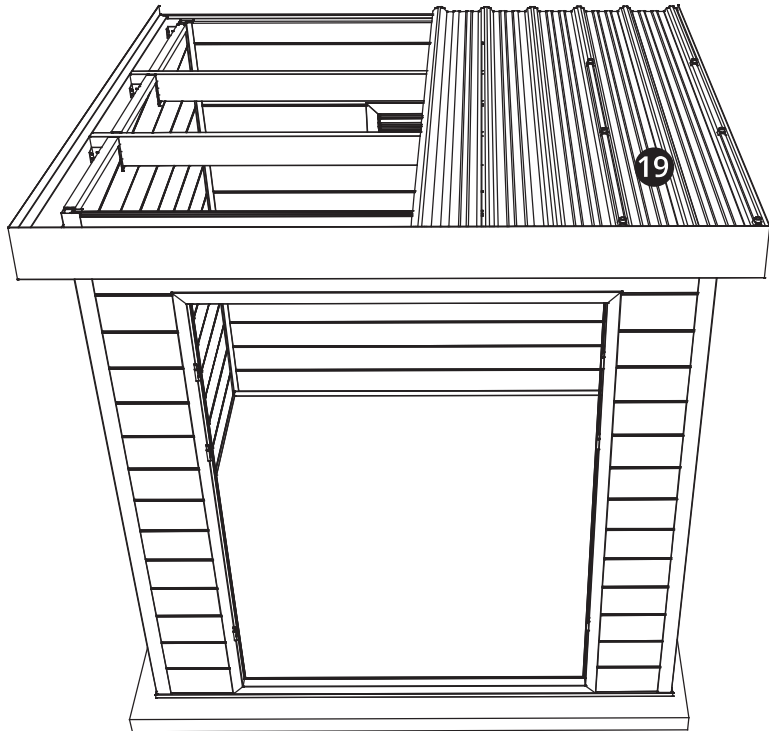
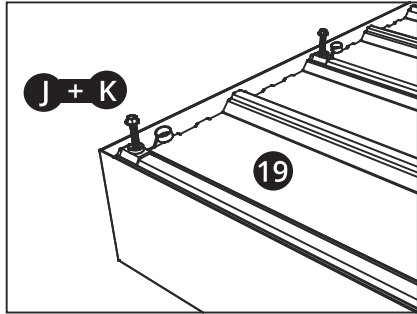
Fix the L-shaped corner code to the beam and wall panel.



Put outer beams and fix with L brackets and screws.  
 Pencil the side beam in advance to draw auxiliary lines where the L connector is to be installed, and then install the L connector on. On the side beam, this step should be completed by two persons, Noted the front and back position according with above sizes.

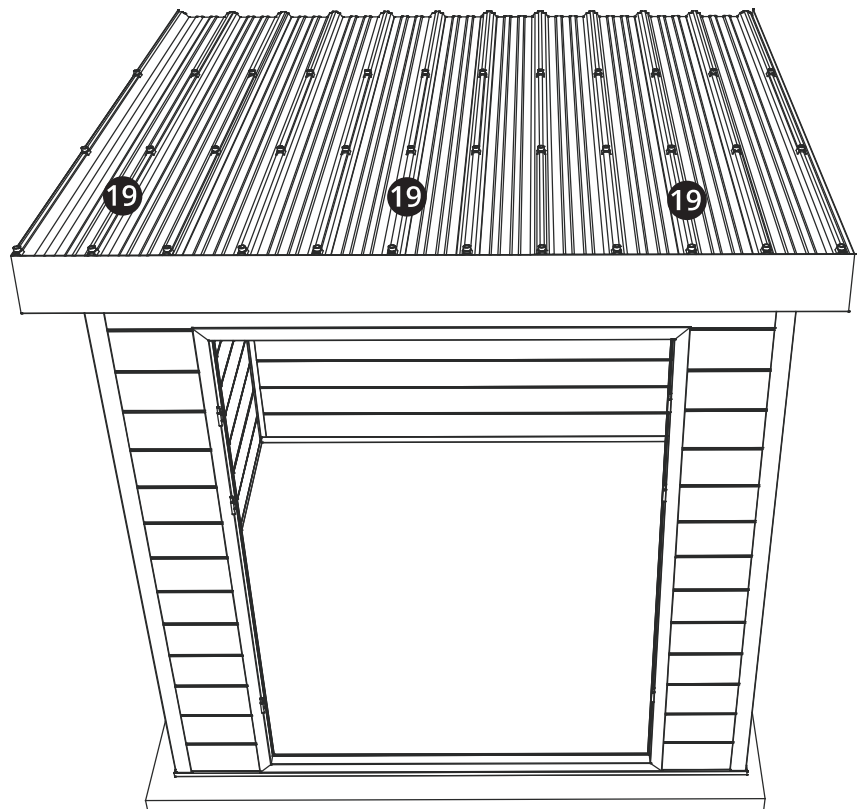
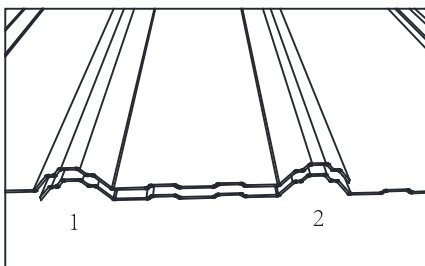


Connect side outer beams to front/ back beams with L connector, then fixing them with L brackets.



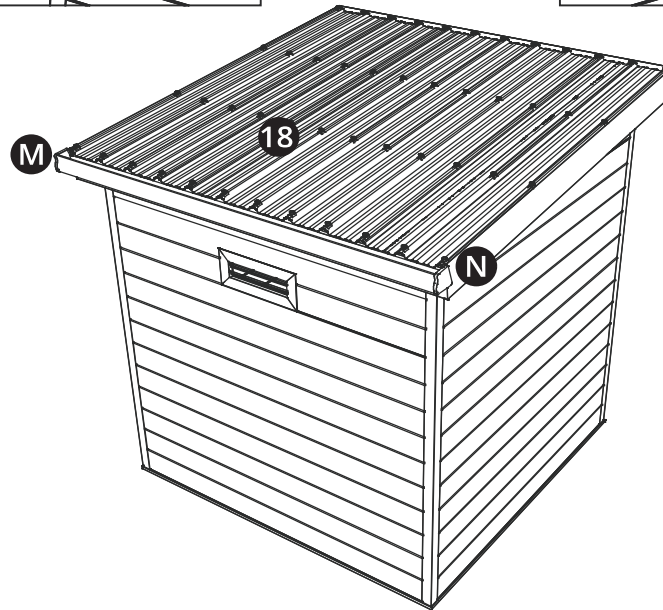
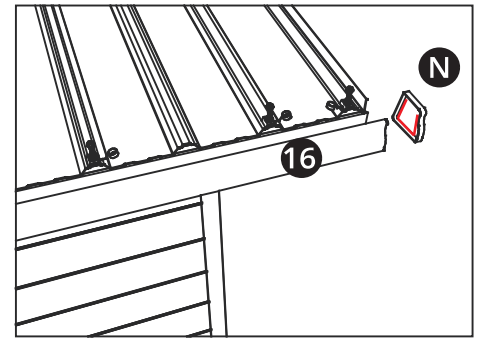
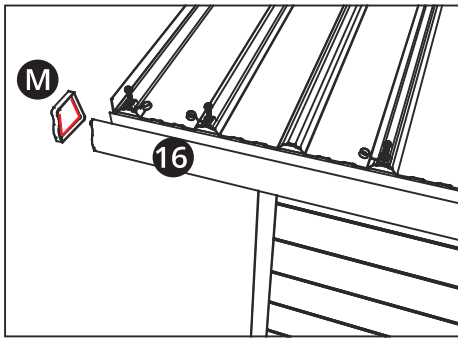
Put the roof panel upon roof beams ( grey side up ), the top side of the wall panel should be close to the top beam so one screw can be fixed, the panel should leave 10mm gap to the cover of front/ back out beams.  
then screw through the roof panel to the beams with roof fixing kits.

NOTE: Don't fix the last row of screws to the outer beams at the moment.

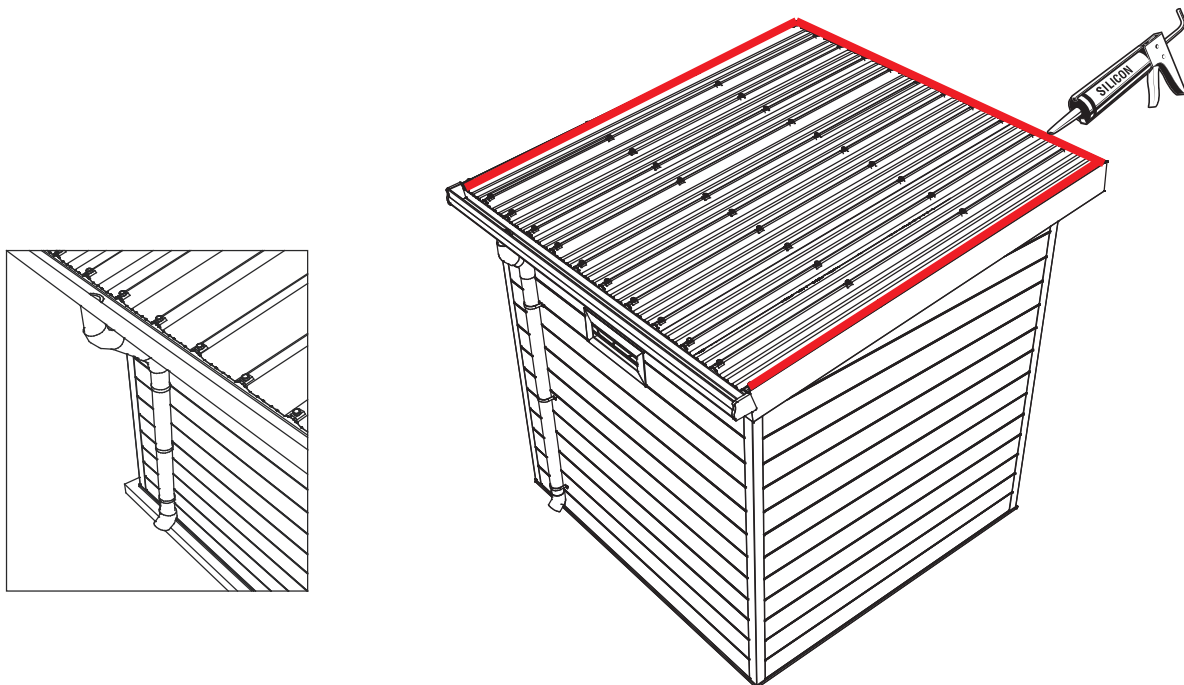


Install these roof panels one by one, the 2nd piece of roof should cover two waves of 1st one.  
Fixing the ridge panel with roof fixing kits.



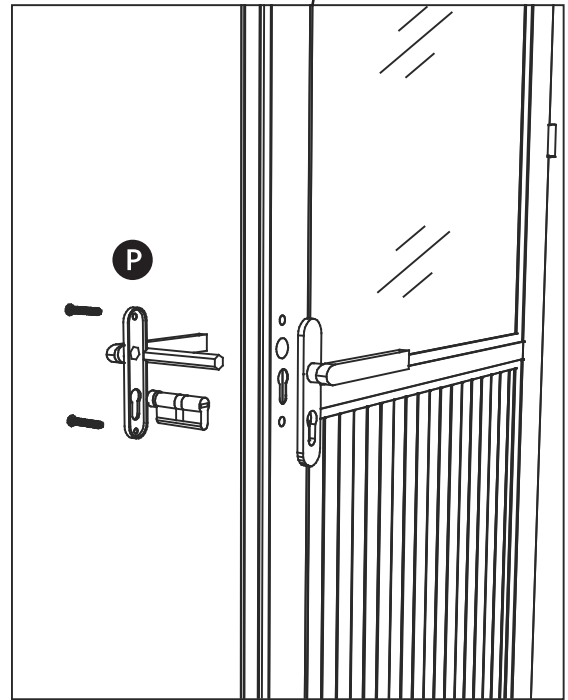
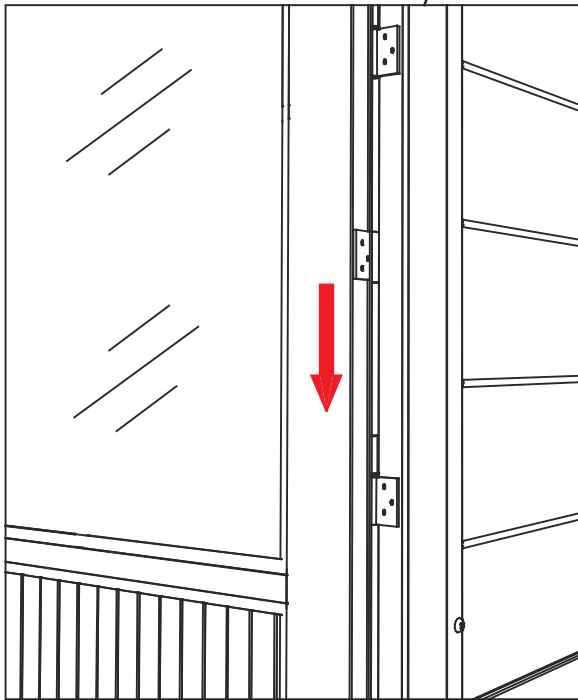
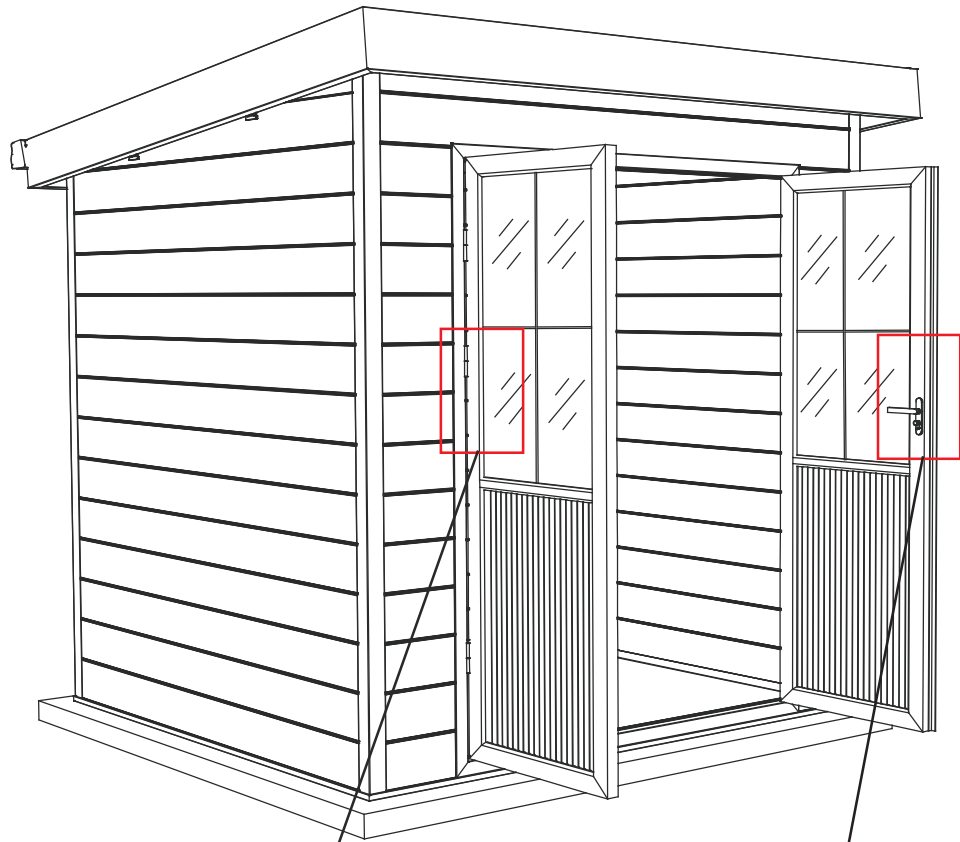


Put the gutter profile and insert the corner into the gap between roof and outer beam. Fixing the last row of roof panel with roof fixing kits, then put the gutter cover to the gutter. ( Seal some glue with caulking gun around the cover).



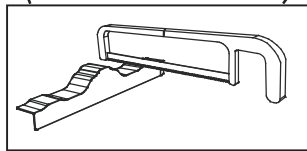
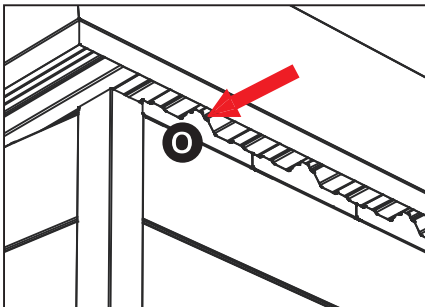
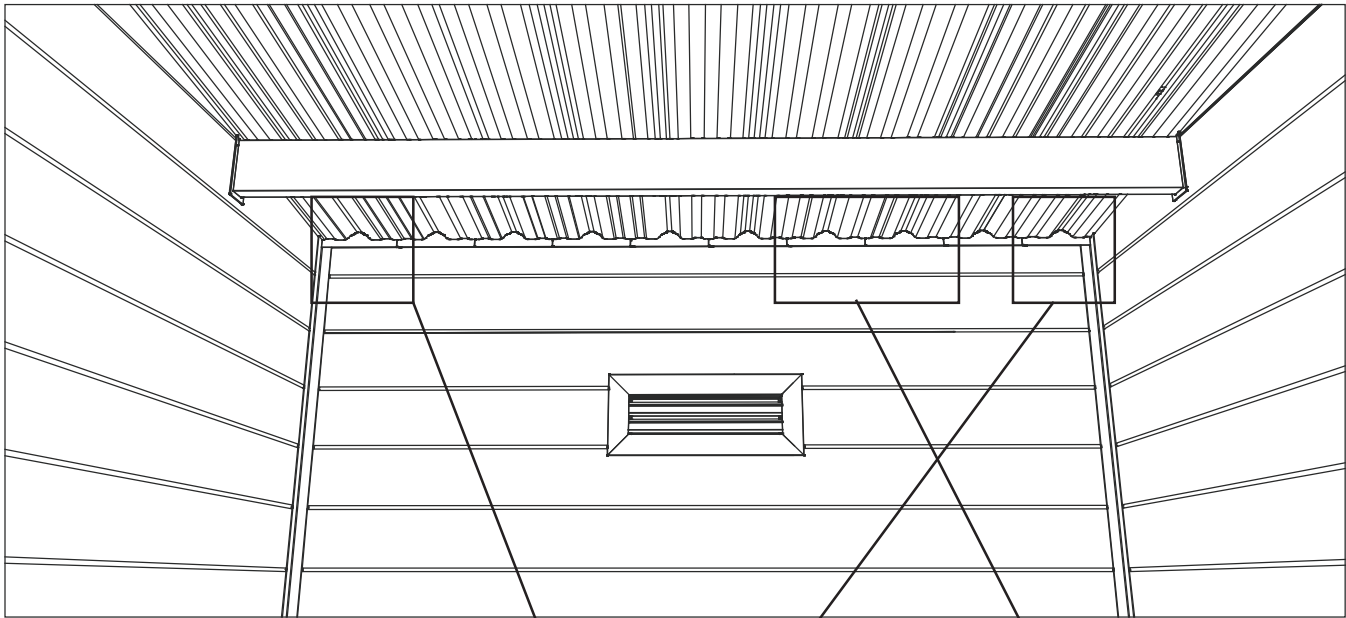
Install downpipe (purchase separately)  $\phi$  75mm

Bring out caulking gun and seal the joints between roof panels and front/ bottom out beams.

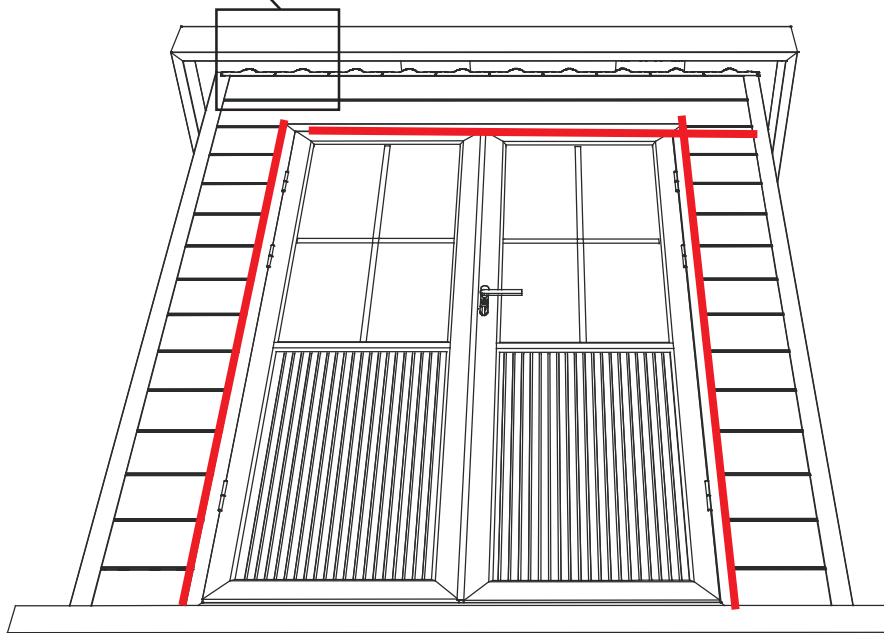
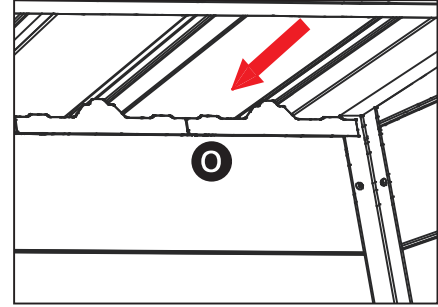


Now lets install the door – we only need align the plug on the door to the hinger on the frame and release the door.

Try to open / close the door and adjust the door frame if needed – when we find out right position, fixing the door frame to the wall panel in back side with screws.



The excess part of the Roof plug needs to be cut off with a hand saw.



Insert the roof cover between roof panel and wall panels. - Start from the 1st piece and install one by one.

Seal around the bottom frame, window kits and door frame with caulking gun to insulate the rain ( as shown in red ).

The excess part of the Roof plug needs to be cut off with a hand saw.

