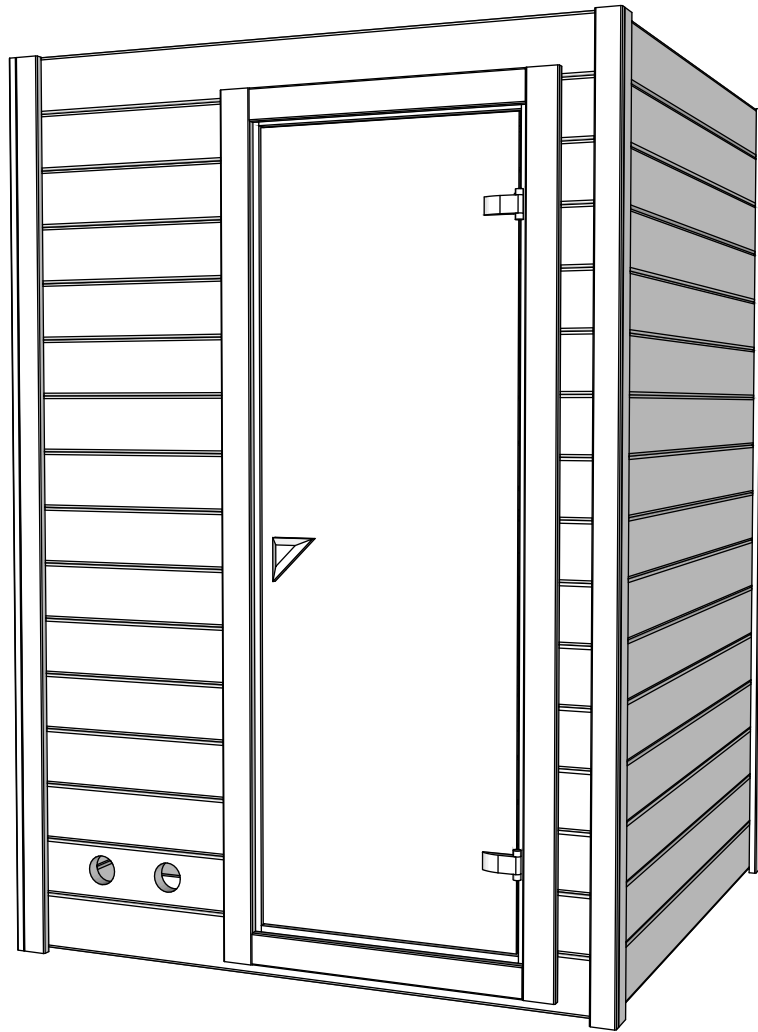


Assembly instructions



List of items needed:

Bubble level



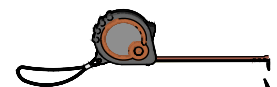
Drill



Rubber hammer

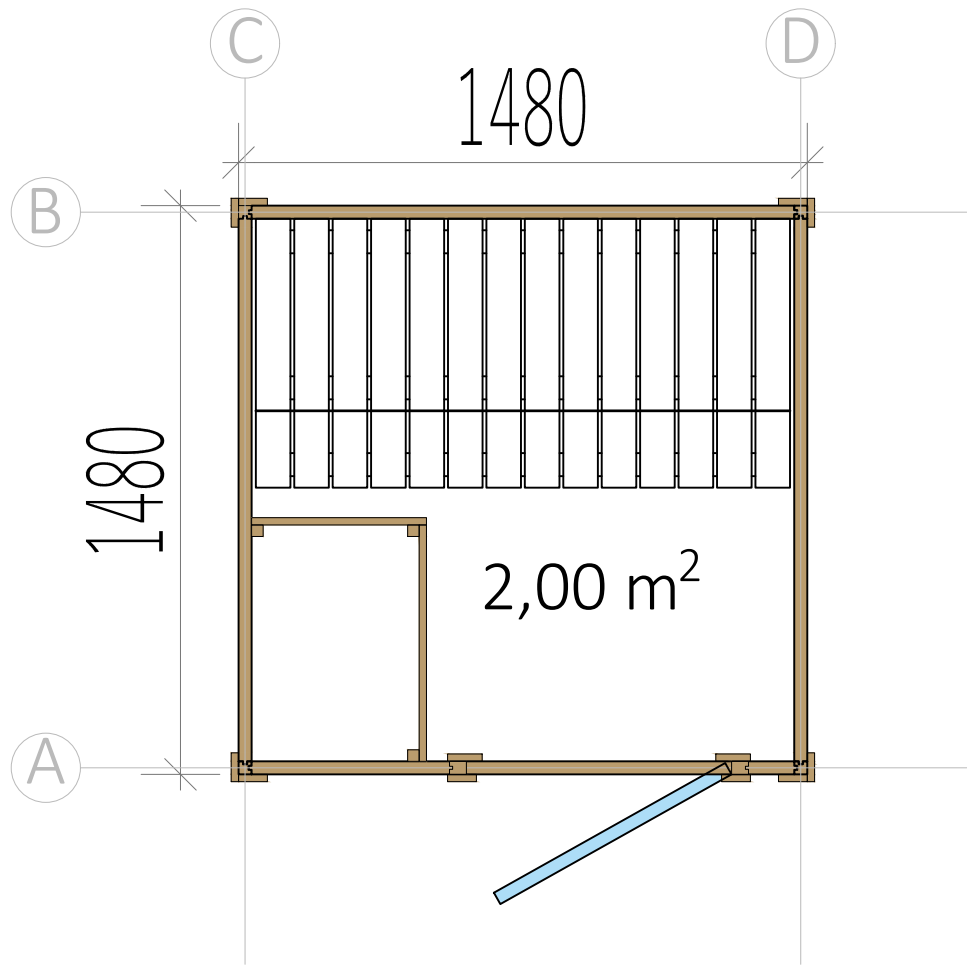


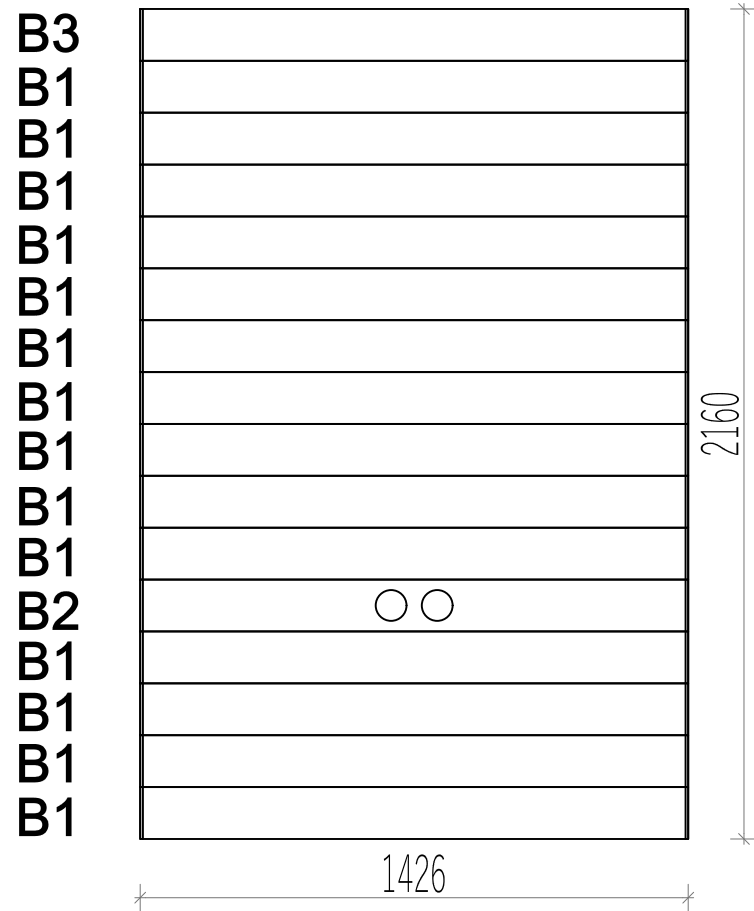
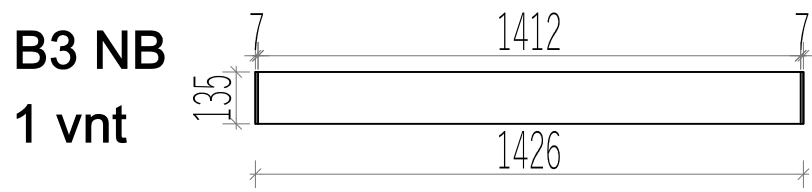
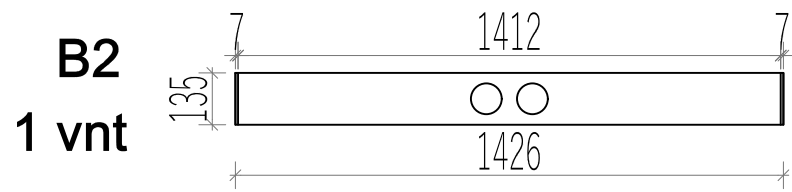
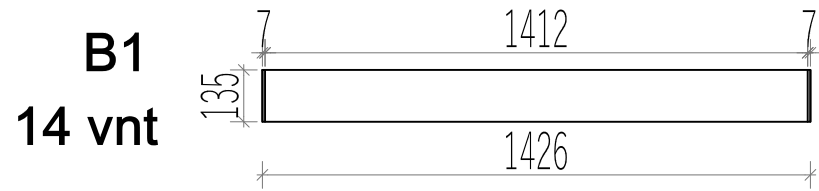
Measuring tape



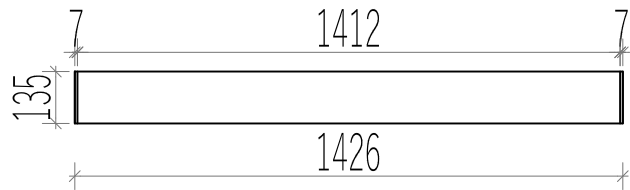
Hammer



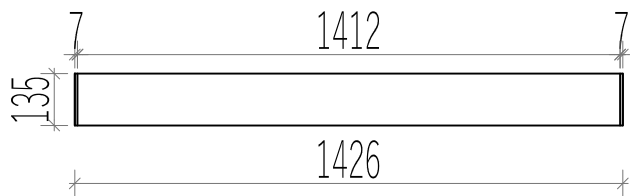




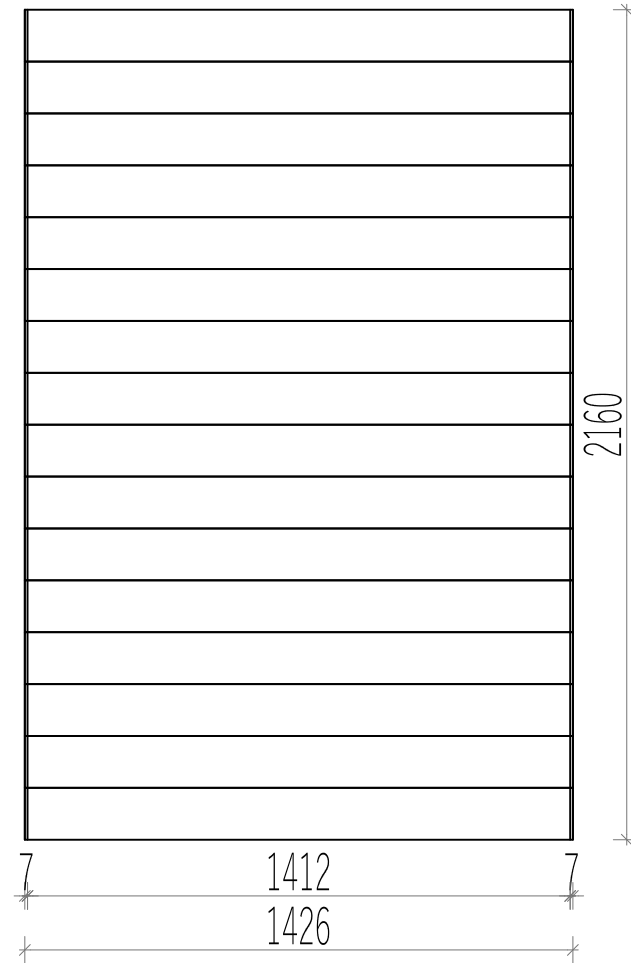
C1
15 vnt



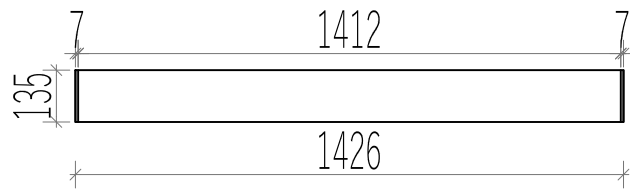
C2 NB
1 vnt



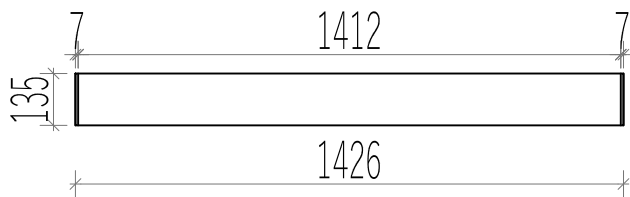
C2
C1
C1
C1
C1
C1
C1
C1
C1
C1
C1
C1
C1
C1
C1
C1



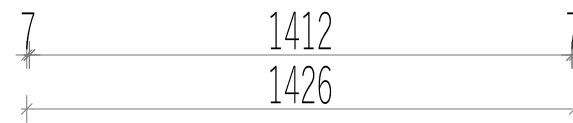
D1
15 vnt
















































D2 NB
1 vnt



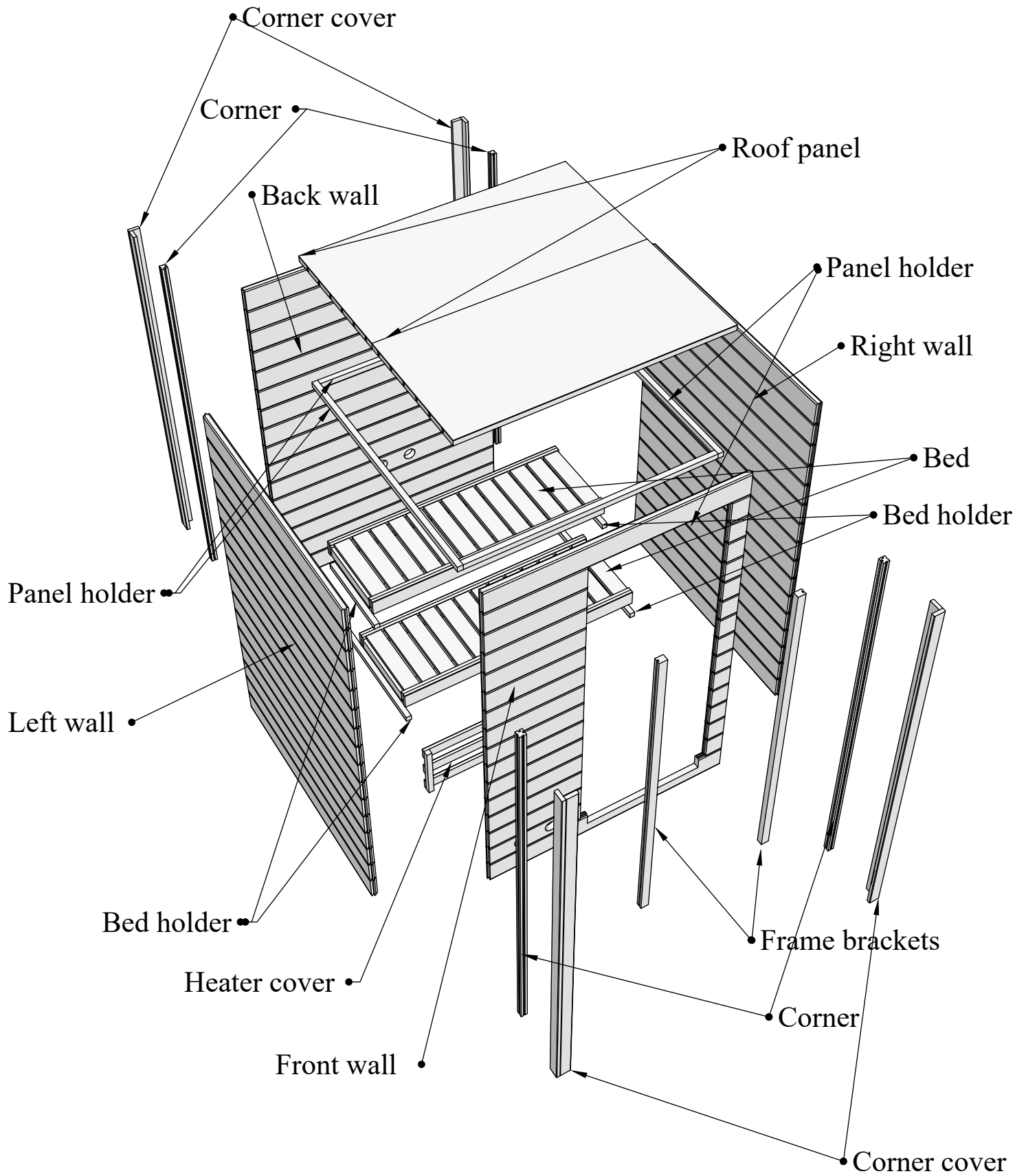
D2
D1
D1
D1
D1
D1
D1
D1
D1
D1
D1
D1
D1
D1
D1
D1
D1
D1



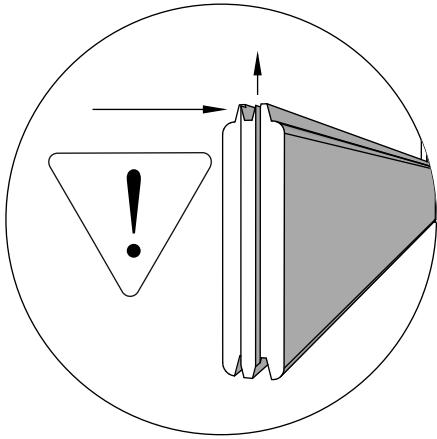
Boswellia Sauna						
Name	Width	Height	Length	Quantity	3D Front Axonometry	Side view
Front wall						
A1	34	135	1426	1		
A2	34	135	529	1		
A3	34	135	133	14		
A4	34	135	529	13		
A5	34	135	1426	1		
Back wall						
B1	34	135	1426	14		
B2	34	135	1426	1		
B3	34	135	1426	1		
Left wall						
C1	34	135	1426	15		
C2	34	135	1426	1		
Right wall						
D1	34	135	1426	15		
D2	34	135	1426	1		
Heater protection parts						
Heater cover	615	500	-	1		
Heater cover	455	500	-	1		
Sauna beds						
Sauna bed	500	90	1400	2		
Bed holders						
Bed holder	30	30	500	2		
Bed holder	30	30	800	2		
Roof of sauna						
Roof panels	700	50	1400	2		

Roof panel holders						
Panel holder	30	30	1350	2		1
Panel holder	30	30	1410	2		1
Sauna Corners						
Corners	34	34	2160	4		1
Corner covers						
Covers	90	19	2160	8		1
Brackets for doors						
Frame bracket	34	44	1881	2		1
Cover for heater wires						
Wire cover	140	34	1820	1		1
Doors and windows						
Sauna door	690	1912	-	1		1
Other accessories for sauna building						
Box of screws	-	-	-	1		1
Sealing tape	-	-	-	1		1

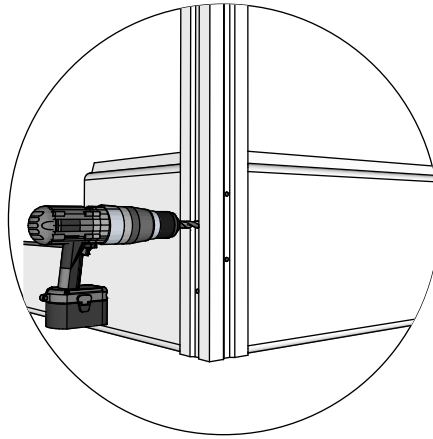
Introduction of sauna parts



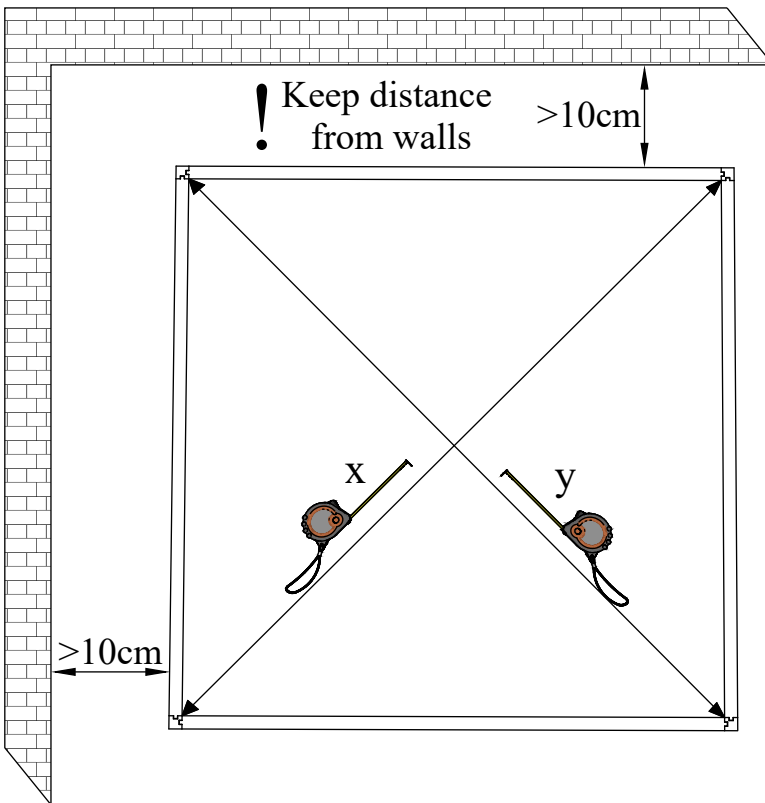
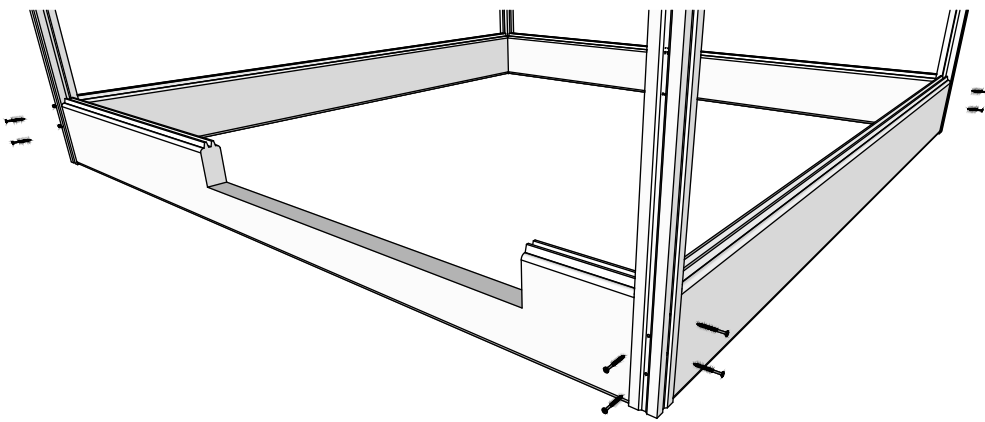
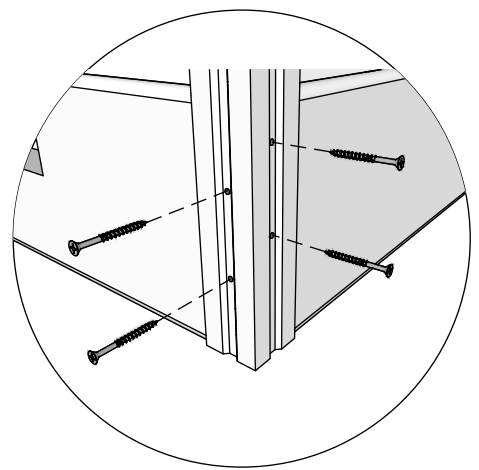
Pay attention to the position of the part



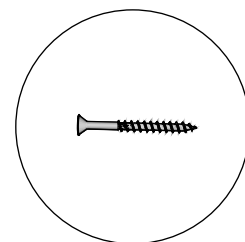
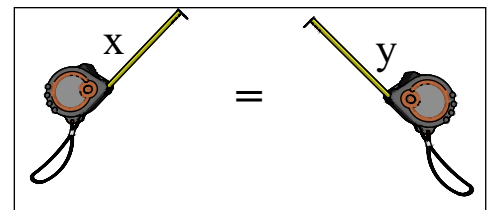
Pre-drill holes for screws



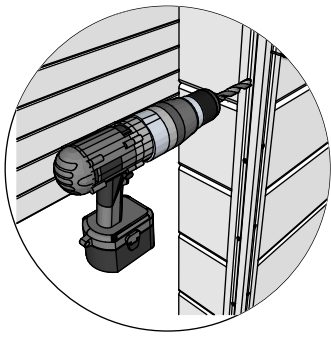
Drive the screw in pre-drilled holes



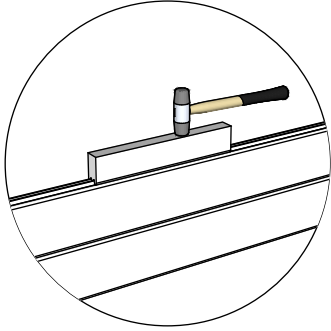
Make sure the length is the same



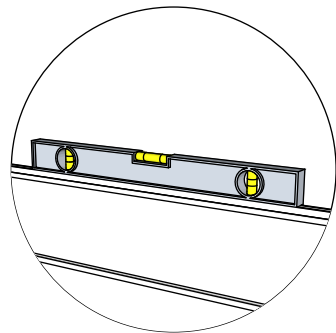
5x80mm for fastening corners to walls



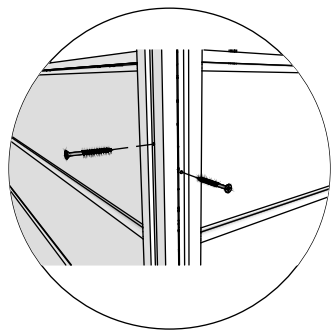
Pre-drill holes
for screws



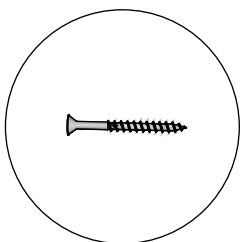
Use rubber hammer
for wall parts



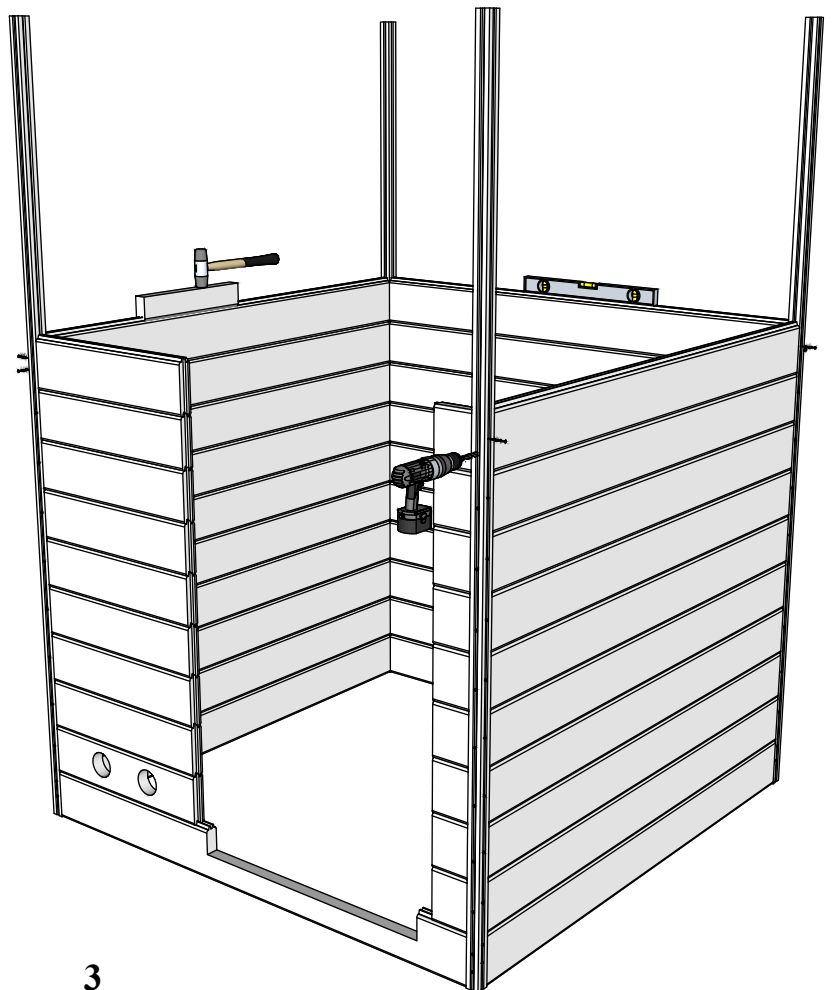
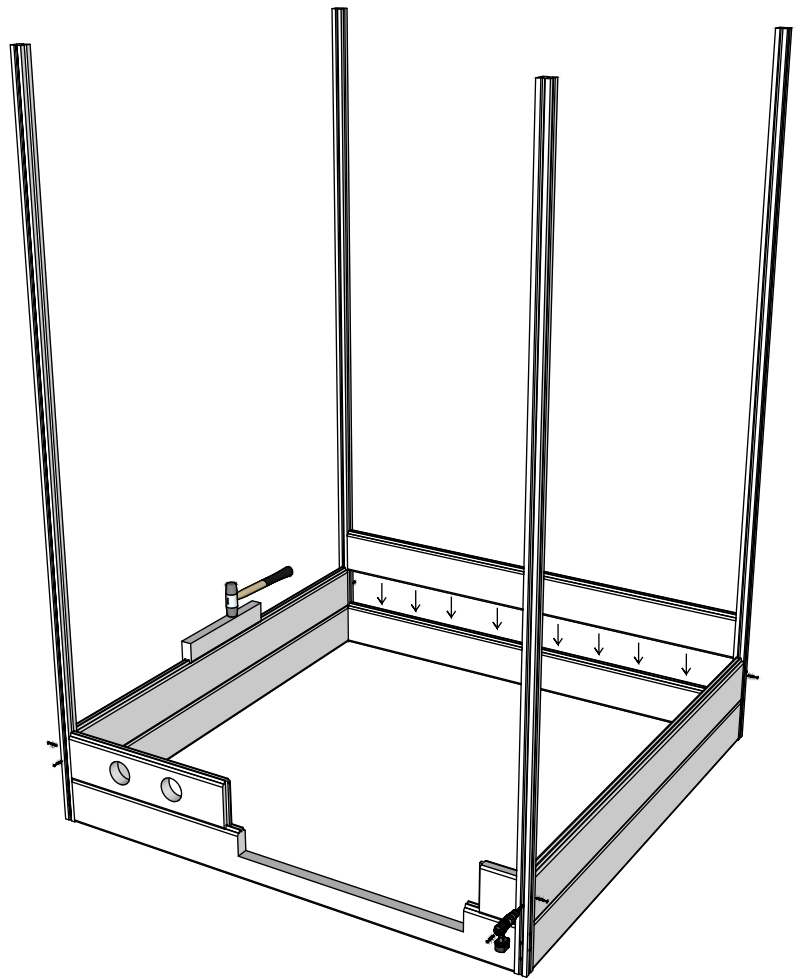
Make sure to level for
better building accuracy

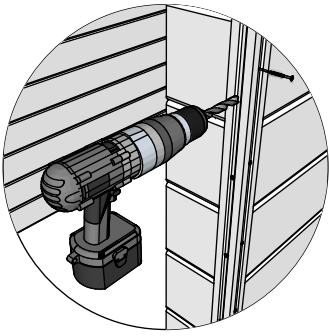


Drive the screw in pre-
drilled holes

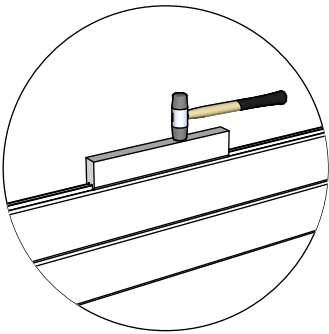


5x80mm for fastening
corners to walls

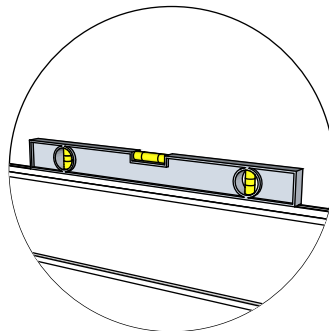




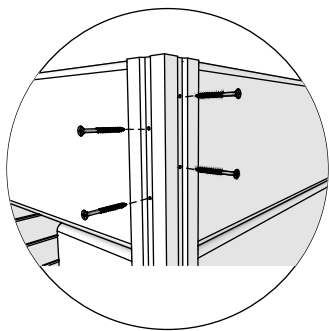
Pre-drill holes
for screws



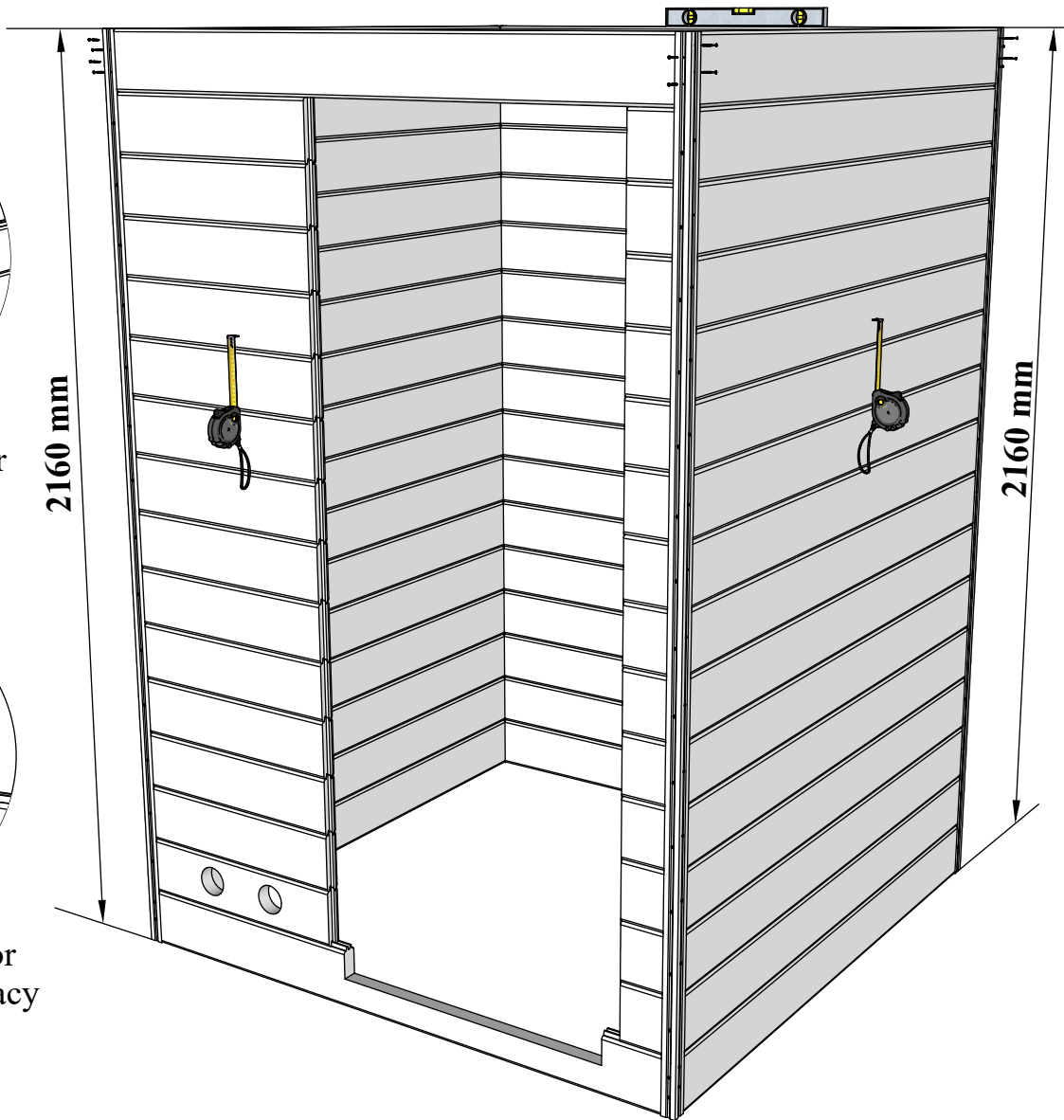
Use rubber hammer
for wall parts



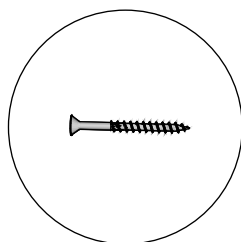
Make sure to level for
better building accuracy



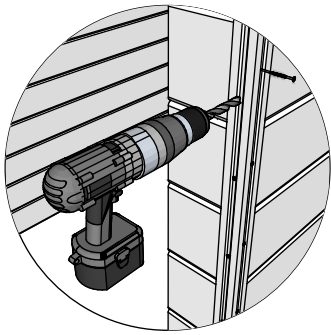
Drive the screw in pre-
drilled holes



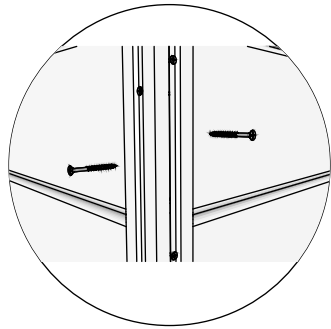
Make sure that the height of the sauna is 2160 mm



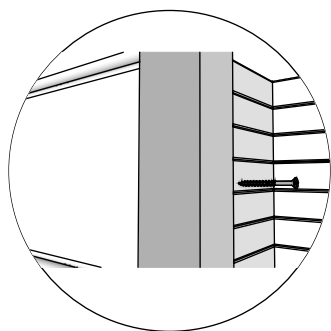
5x80mm for fastening
corners to walls



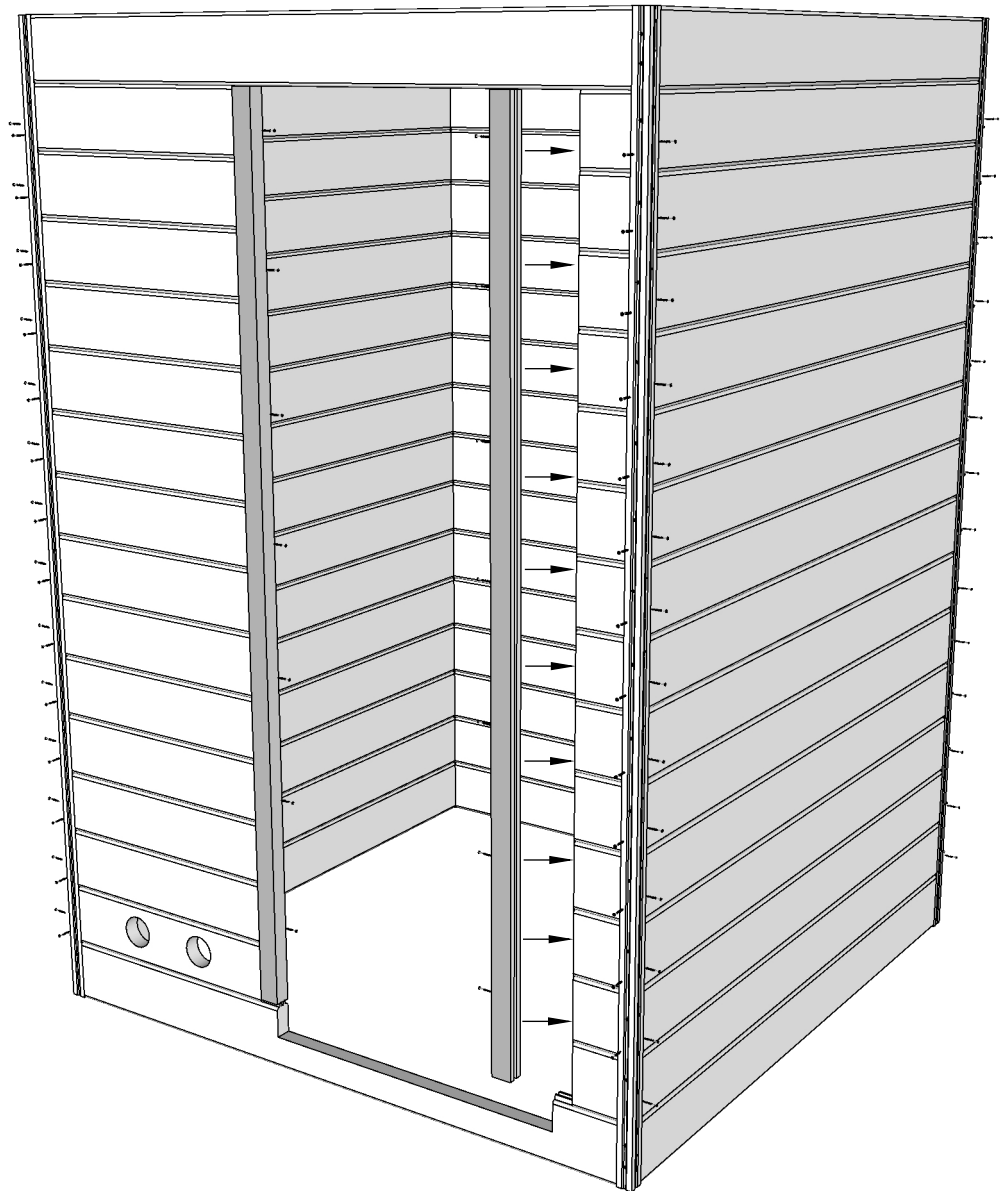
Pre-drill holes
for screws



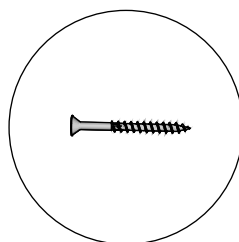
Drive the screw in pre-
drilled hole



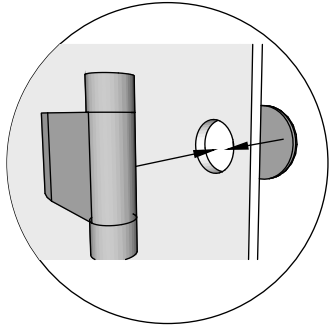
Drive the screw in pre-drilled
holes on the door frame brackets



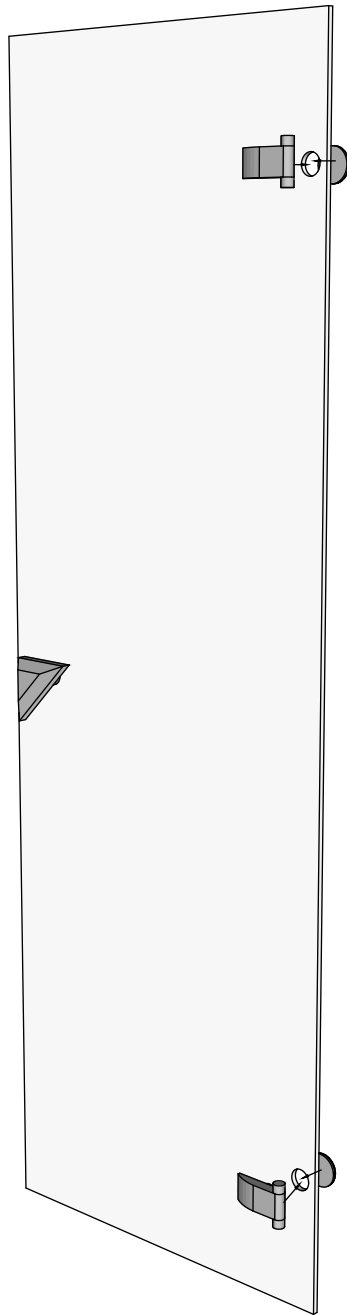
- 1. Insert the door frame brackets into the existing hole**
- 2. Pre-drill holes for screws**
- 3. Drive the screw in pre-drilled hole**



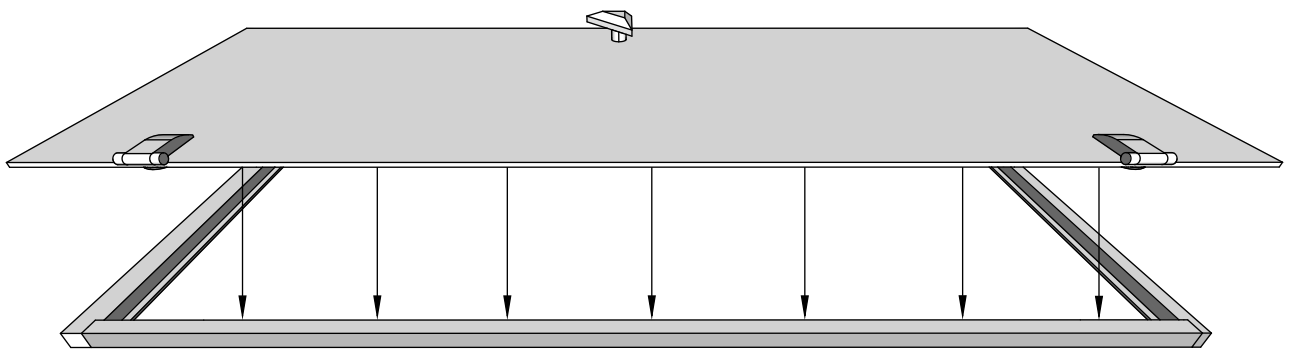
5x80mm for fastening corners to walls
5x80mm for door frame brackets



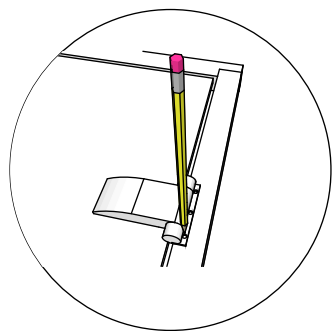
Insert the hinges into the door glass



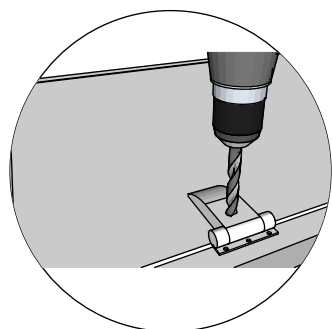
- 1. Insert the hinges into the door glass.**
- 2. After that put the door glass in the door frame that is factory assembled**



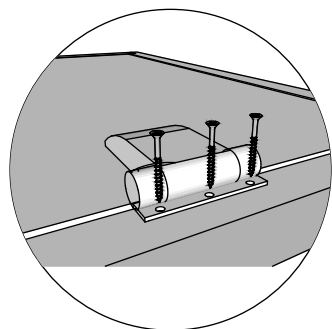
! Make sure the glass is centered between the door frame



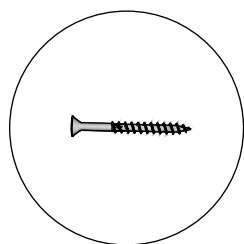
Mark places for drilling



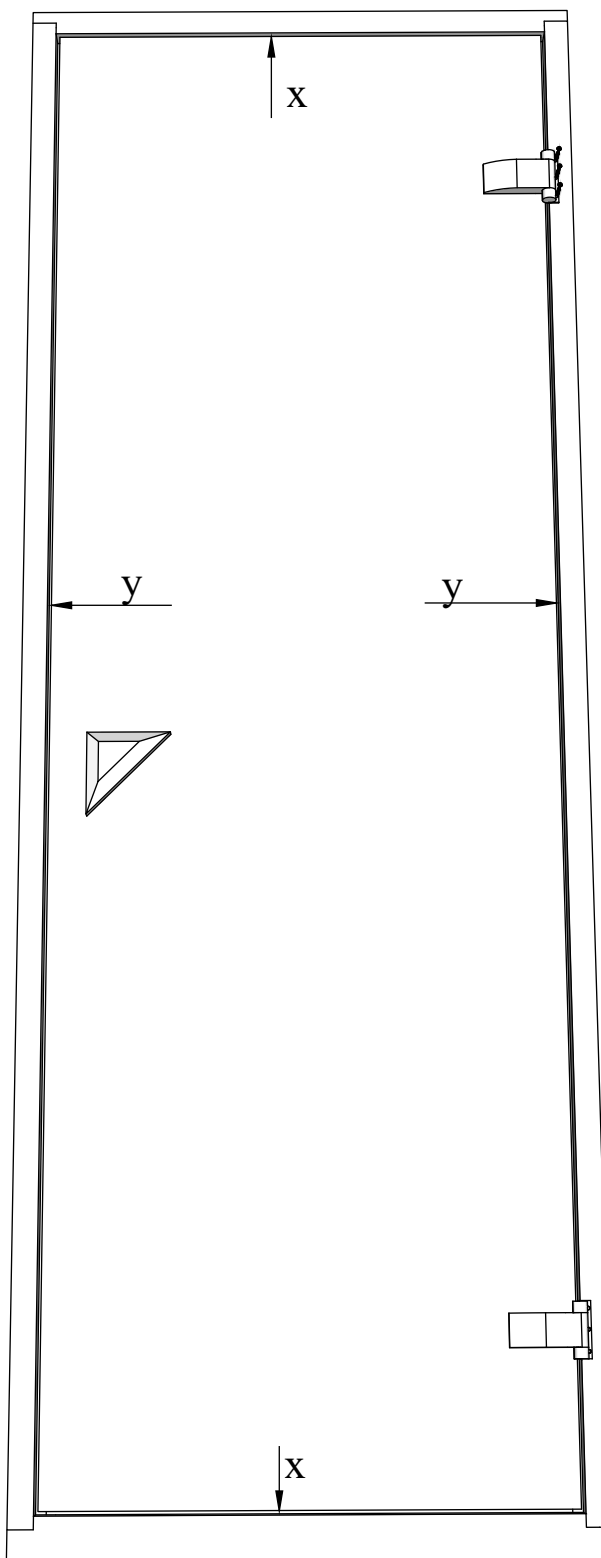
Drill the marked points for the hinges



Screw hinges to door frame

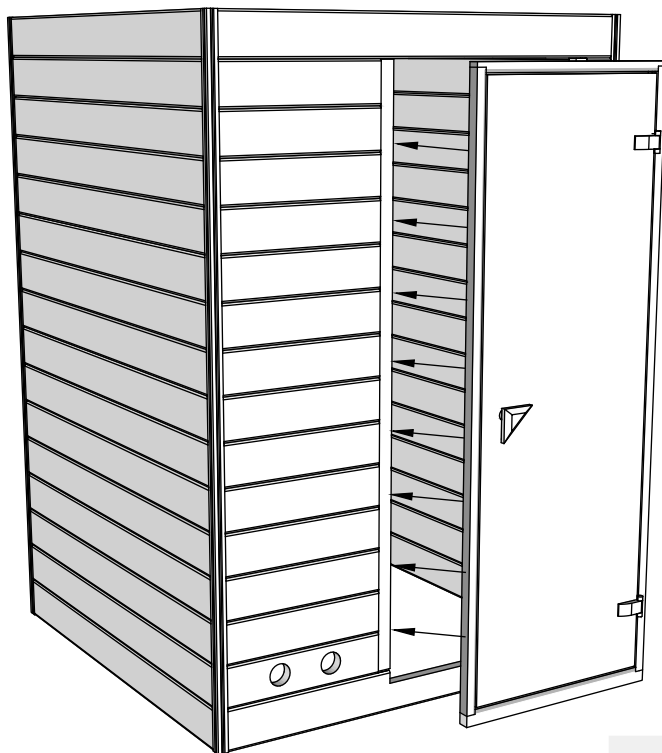


4x35mm for fastening hinges

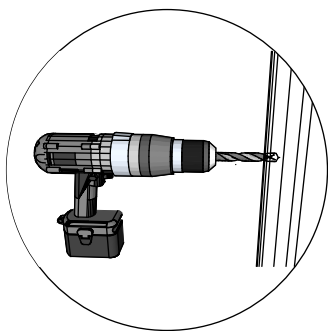


$x=x$

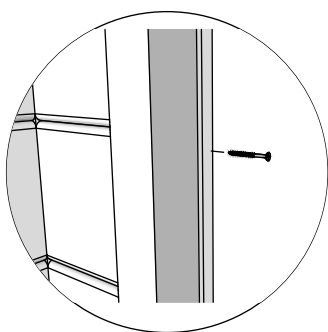
$y=y$



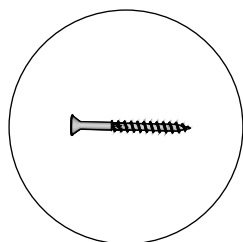
Place the door in between the door frame you attached earlier



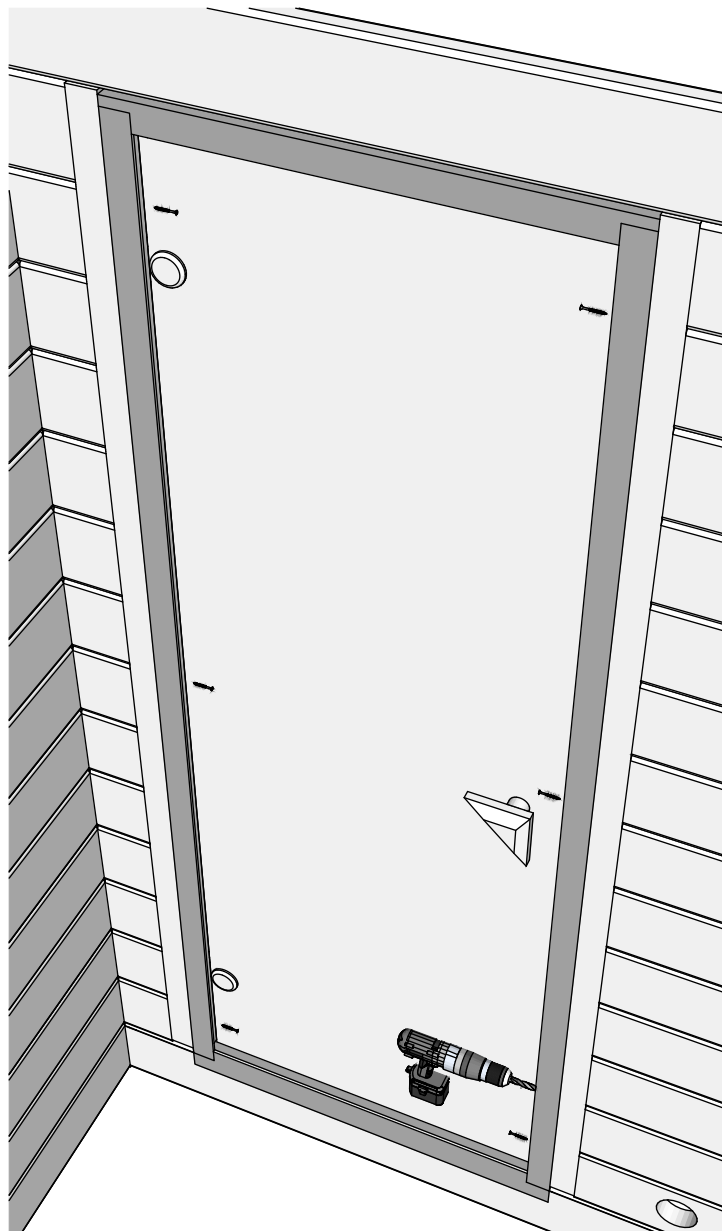
Pre-drill holes for screws

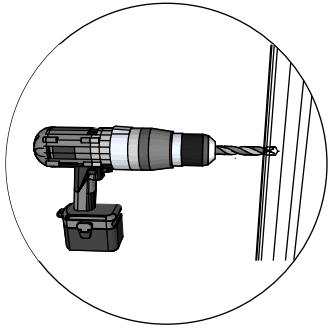


Drive the screw in pre-drilled hole

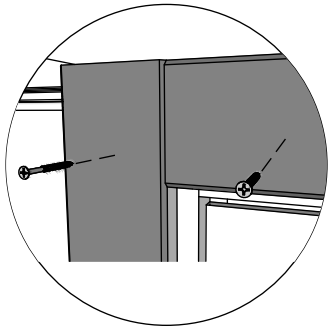


5x100mm for fastening door frame

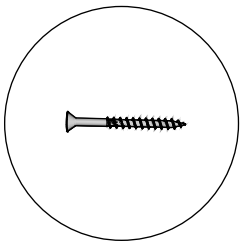




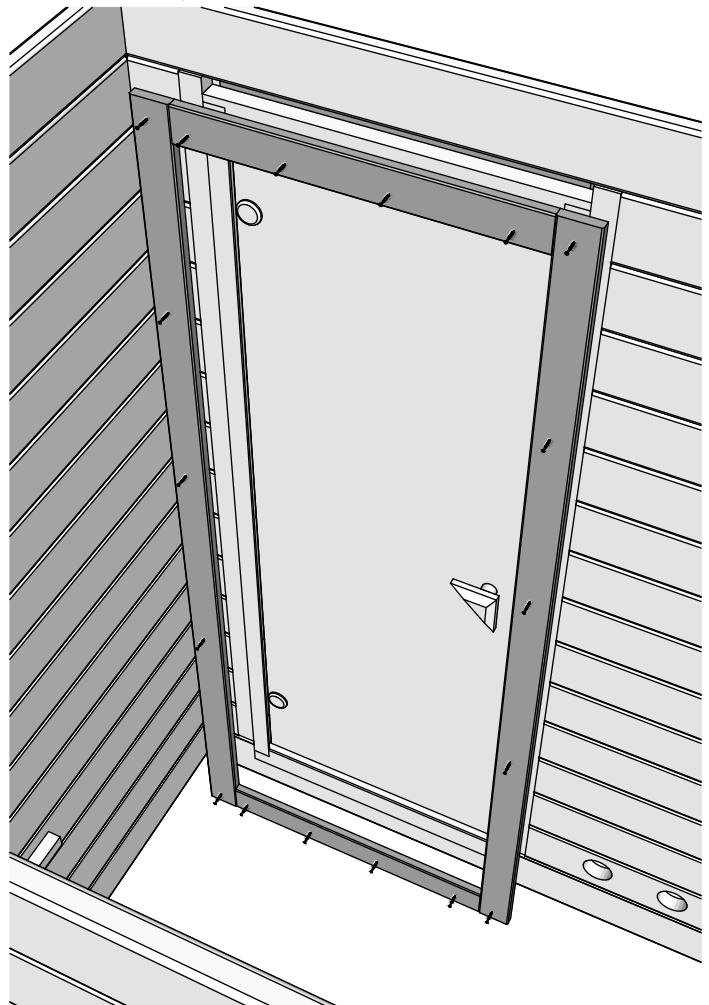
Pre-drill holes
for screws

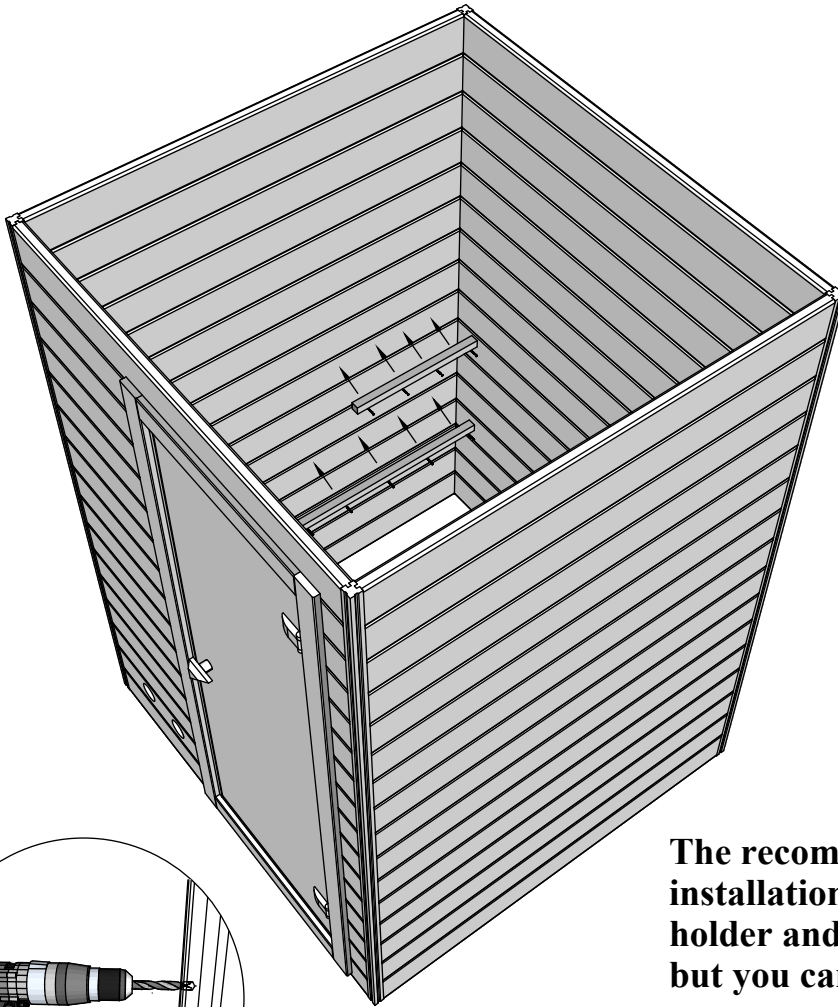


Drive the screw in pre-
drilled hole

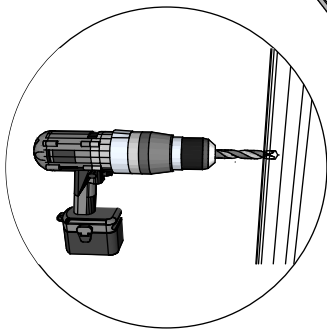


3x35mm for fastening door
frame covers

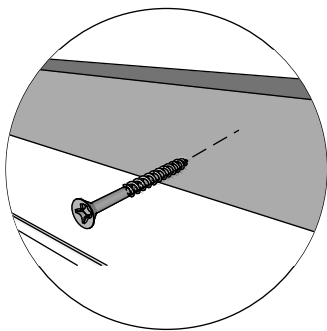




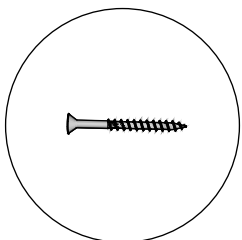
The recommended height for bed holder installation is 700mm for upper bed holder and 400mm for lower bed holder, but you can customize it according to you



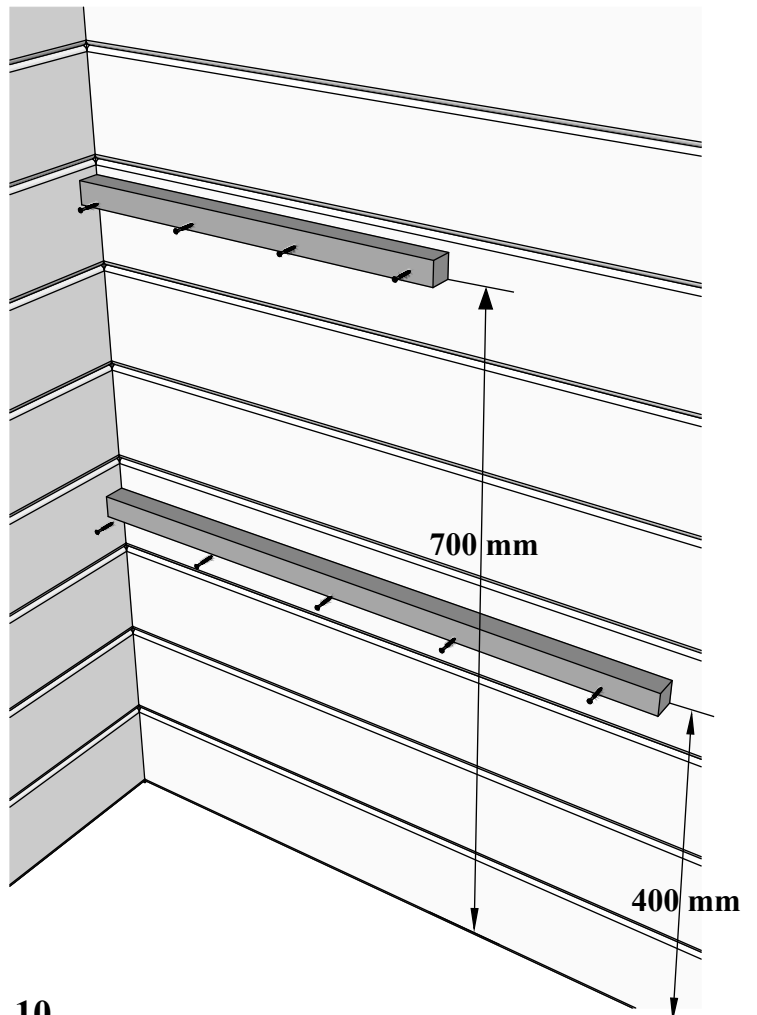
Pre-drill holes for screws

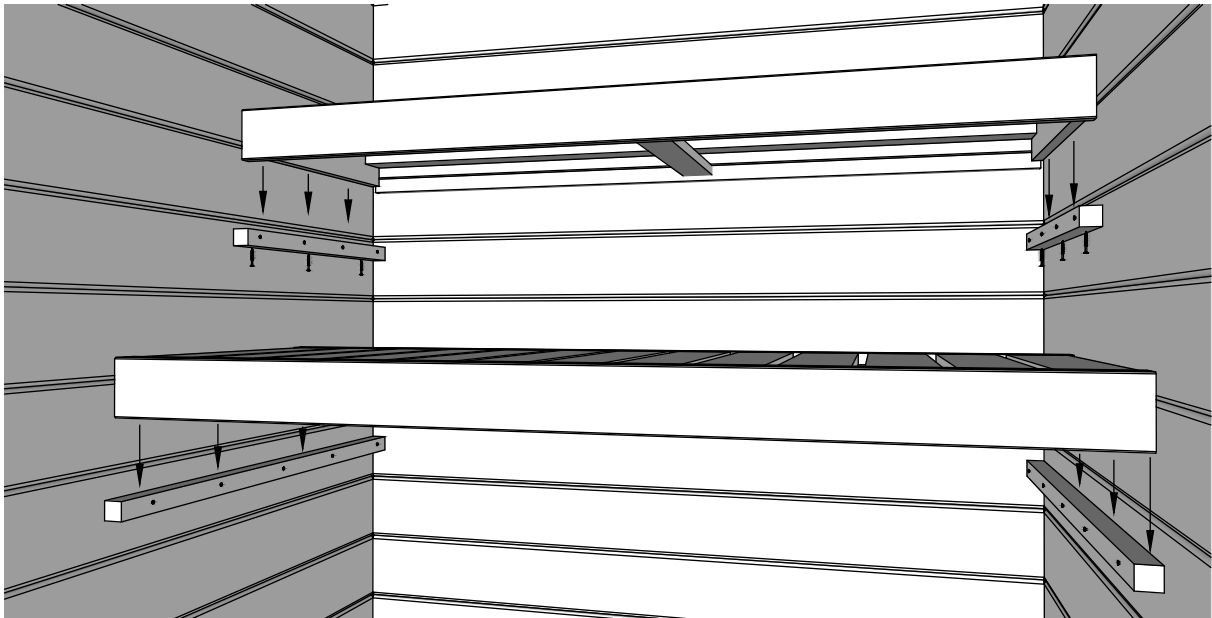


Drive the screw in pre-drilled hole

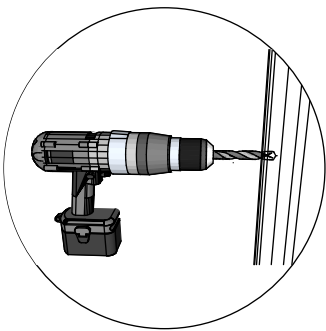


5x55mm for fastening bed holders

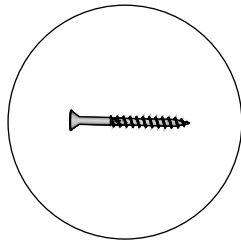




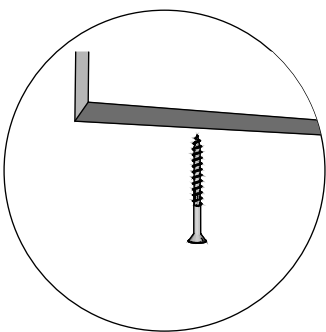
**Place the upper sauna bed on the holder and fasten with screws.
We recommend to leave the lower sauna bed loose so you can adjust it if needed**



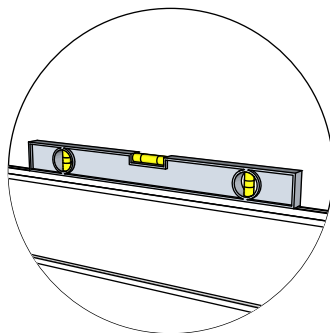
Pre-drill holes
for screws



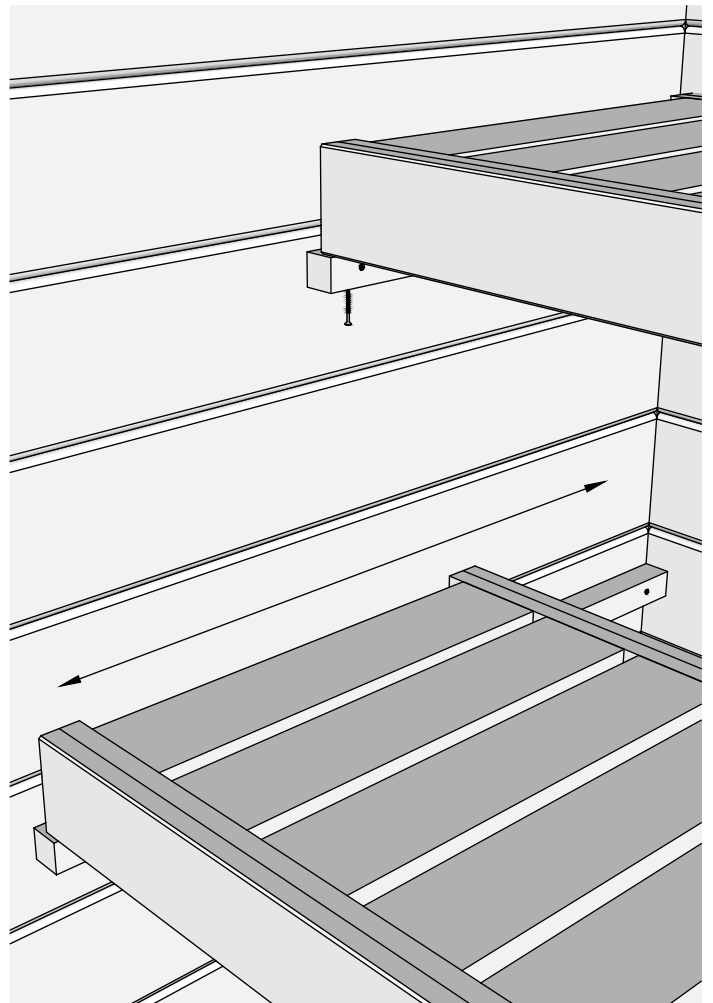
5x55mm for
fastening sauna
beds



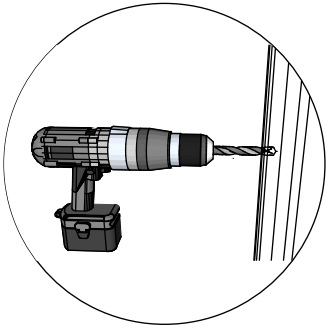
Use screws to fasten sauna
bed in pre-drilled holes



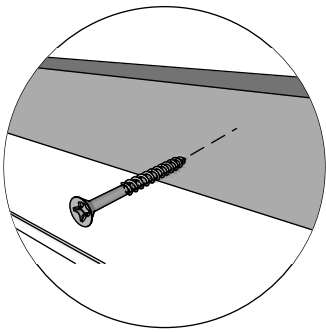
Make sure to level
when installing bed
holders



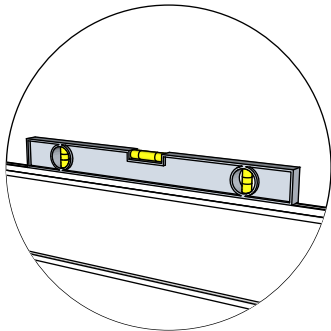
Sauna heater protection assemble and installation



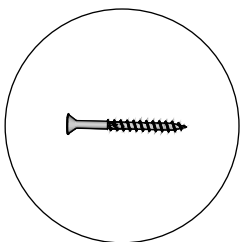
Pre-drill holes
for screws



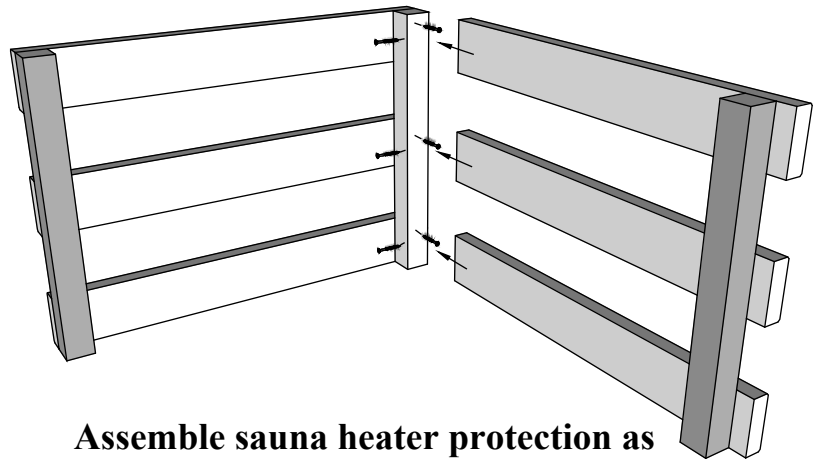
Drive the screw in pre-
drilled hole



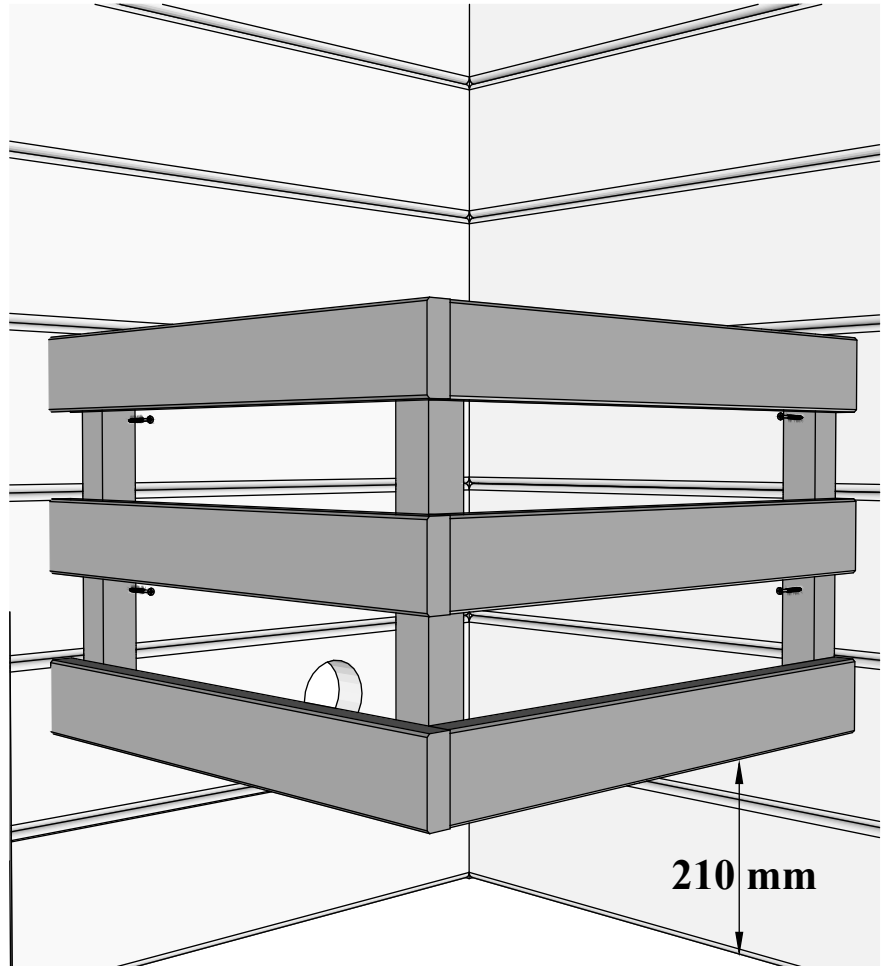
Make sure to level when
installing heater protection



4x45mm for fastening sauna
heater protection
4x45mm for fastening sauna
heater protection to wall

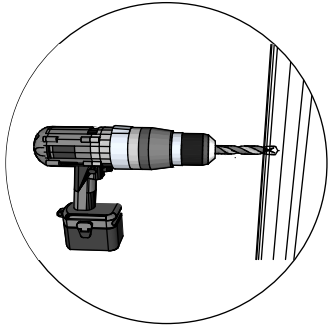


Assemble sauna heater protection as
shown in the picture above

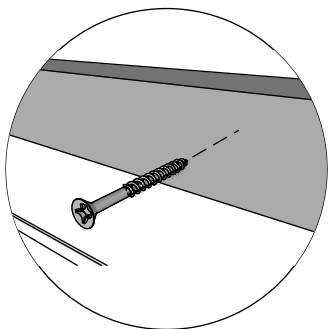


If possible, adjust the height of the heater protection
according to the heater purchased. If not use default
installation height.

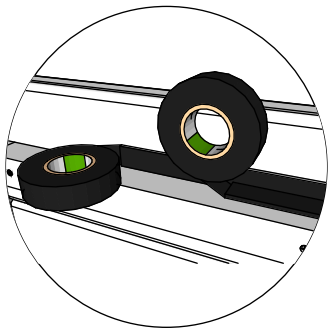
**Default installation height of heating protection is
210 mm above floor level.**



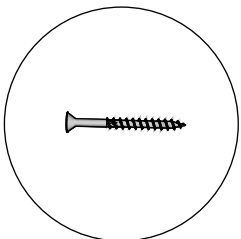
Pre-drill holes
for screws



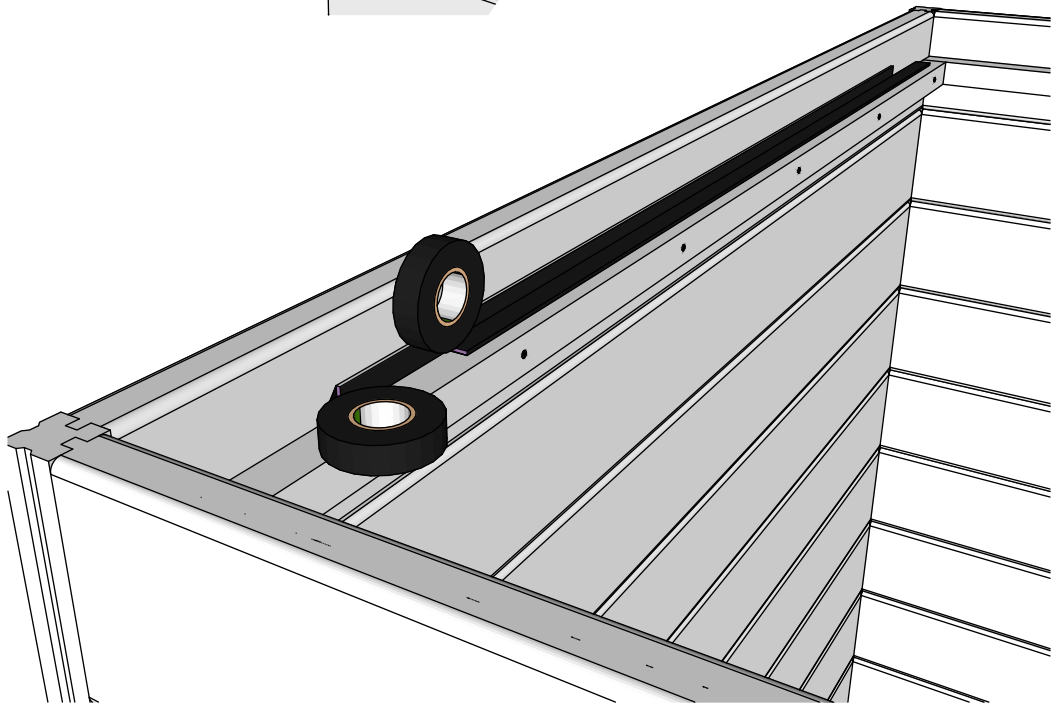
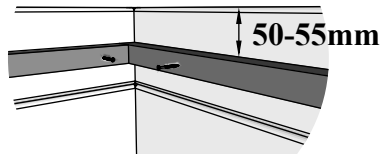
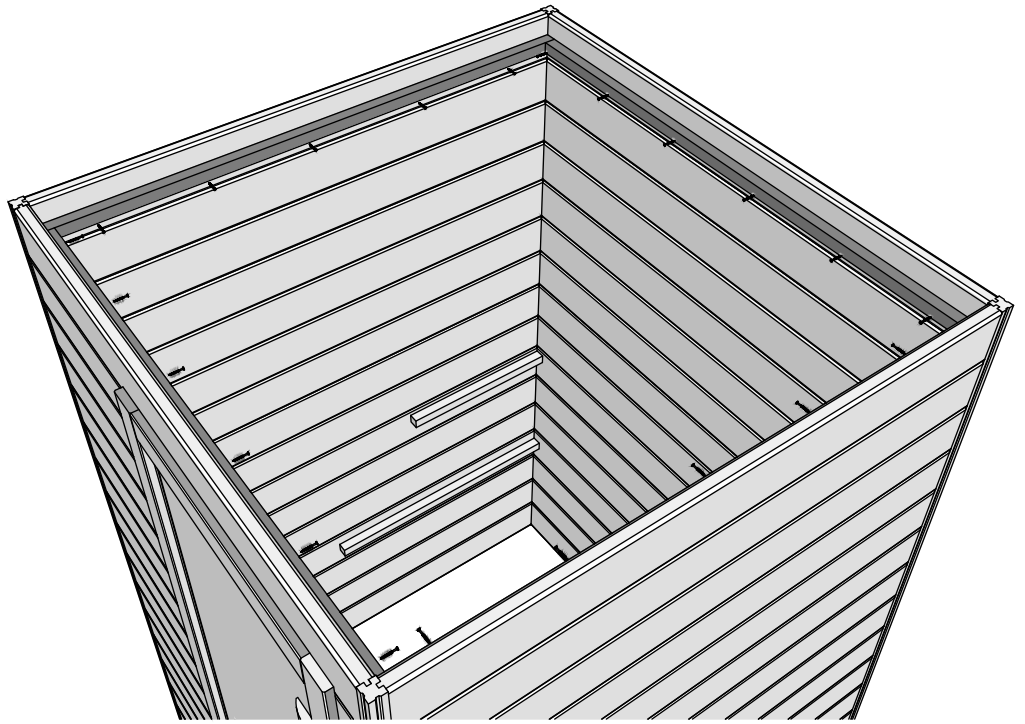
Drive the screw in pre-
drilled hole

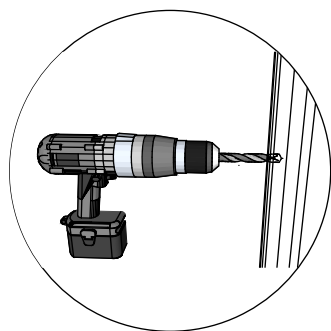
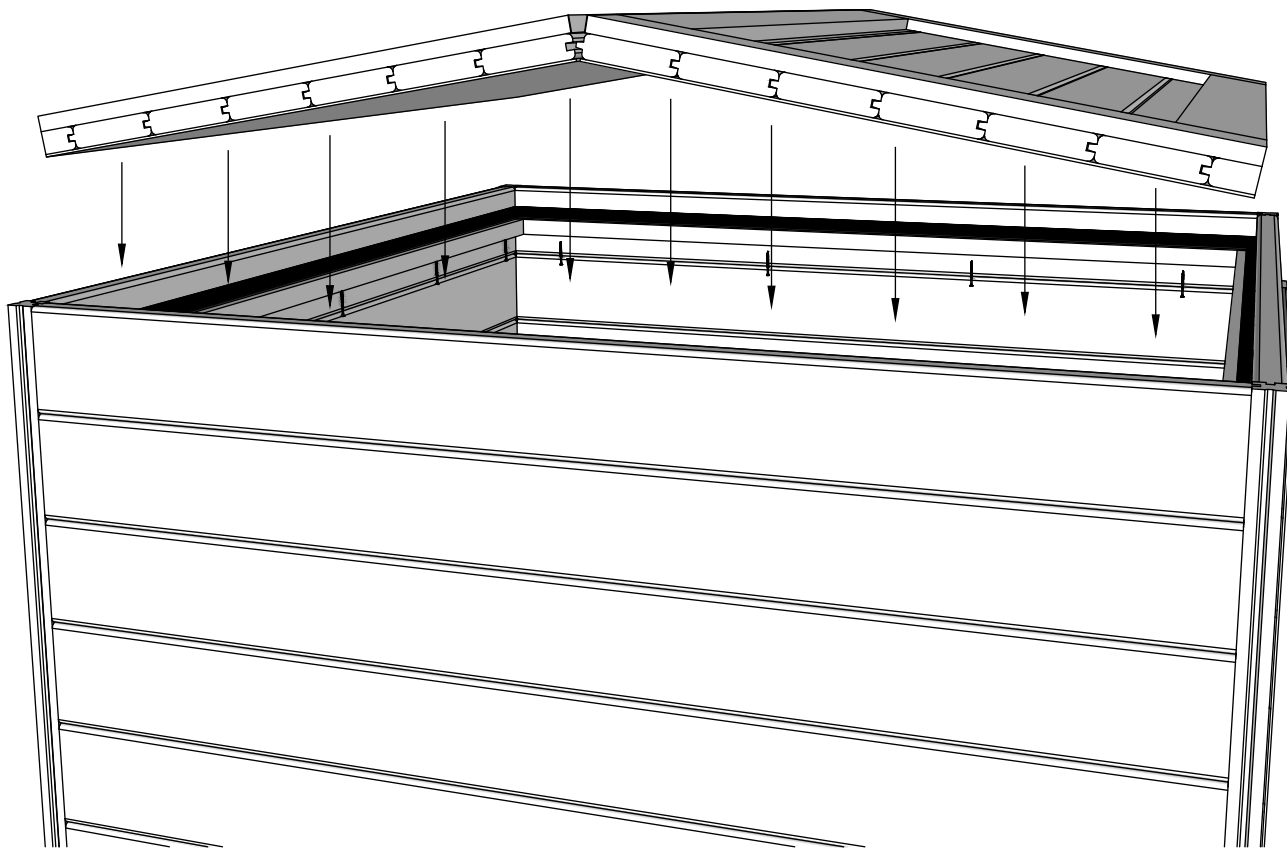


Apply sealing tape on
roof panel holders

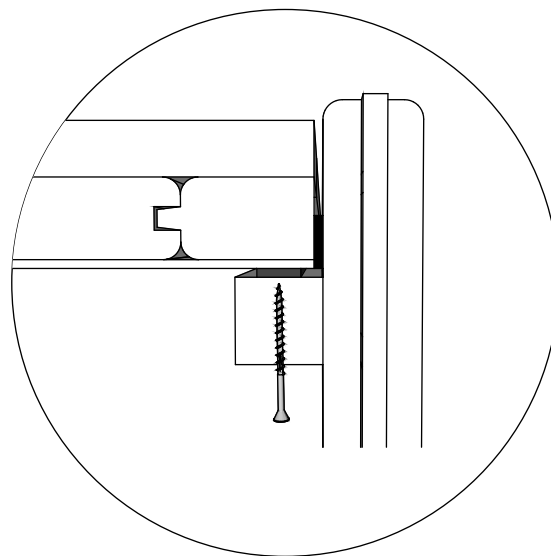


5x55mm for fastening panel
holders

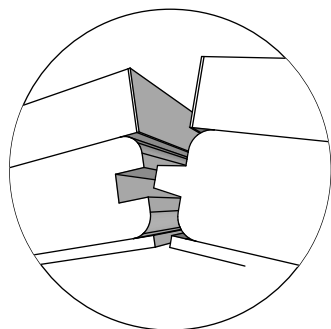




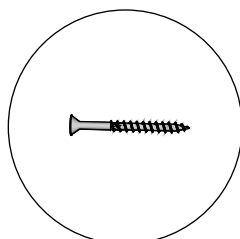
Pre-drill holes
for screws



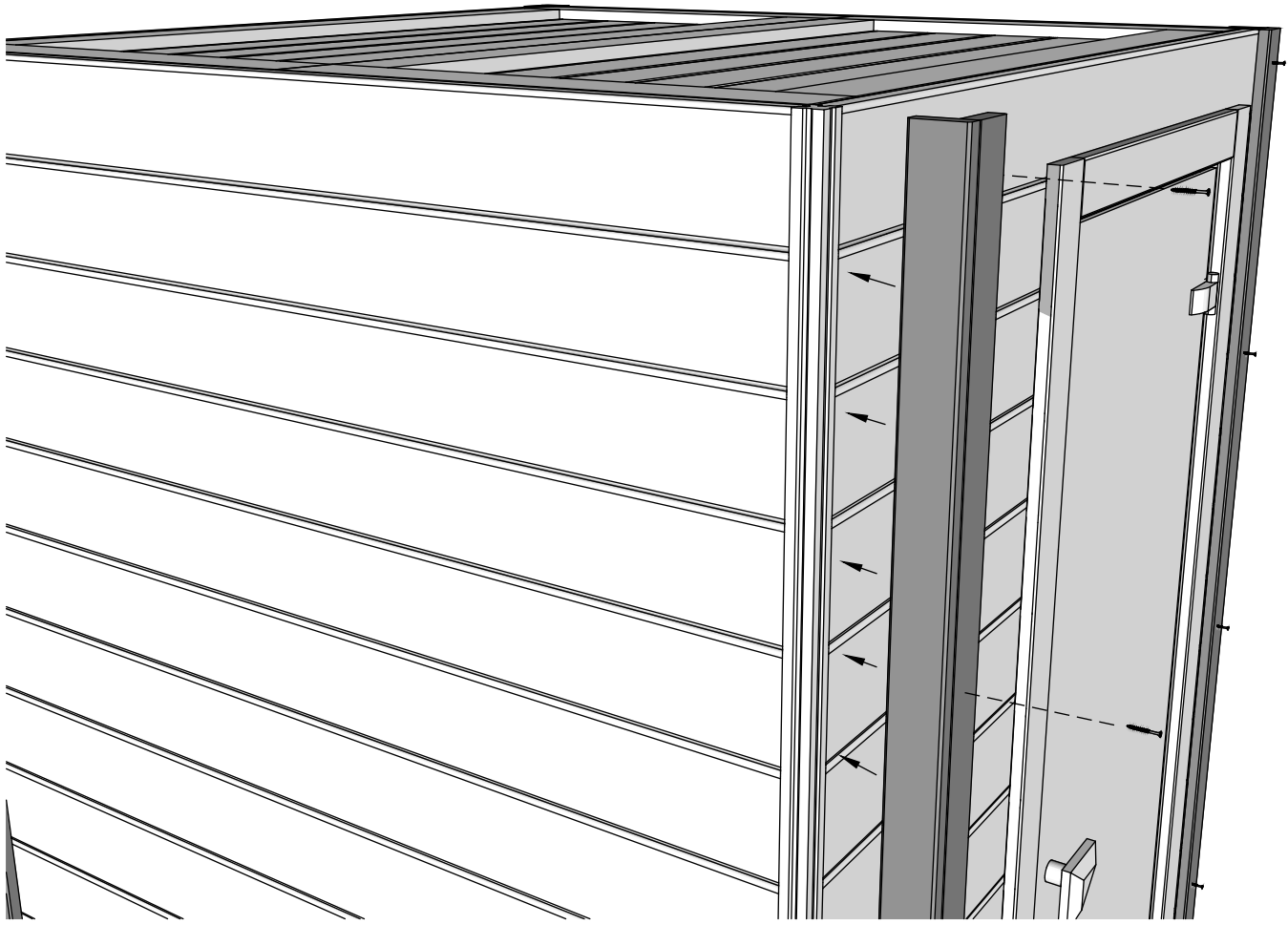
Drive the screws into the pre-drilled
holes for the panel holder in the roof
panel



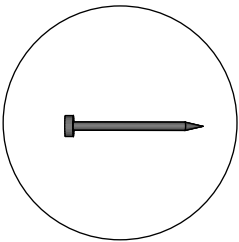
Connect roof panels as
shown above



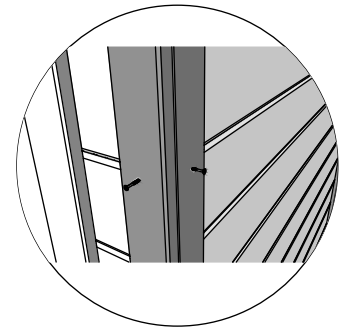
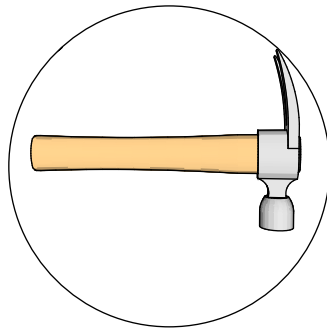
5x55mm for fastening roof panels



Place corner covers as shown on picture above



2x30mm for corner covers



Nail the corner covers to hide screws