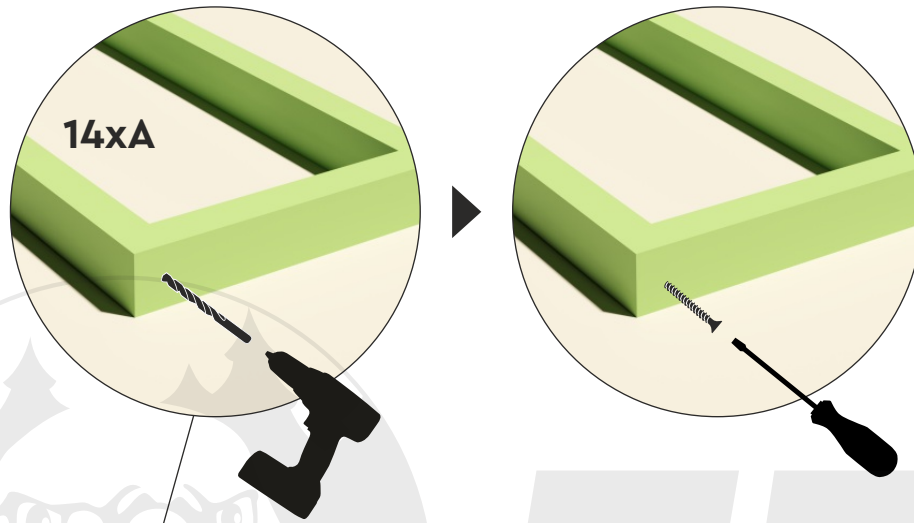
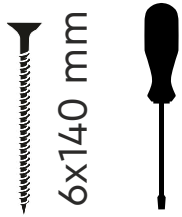


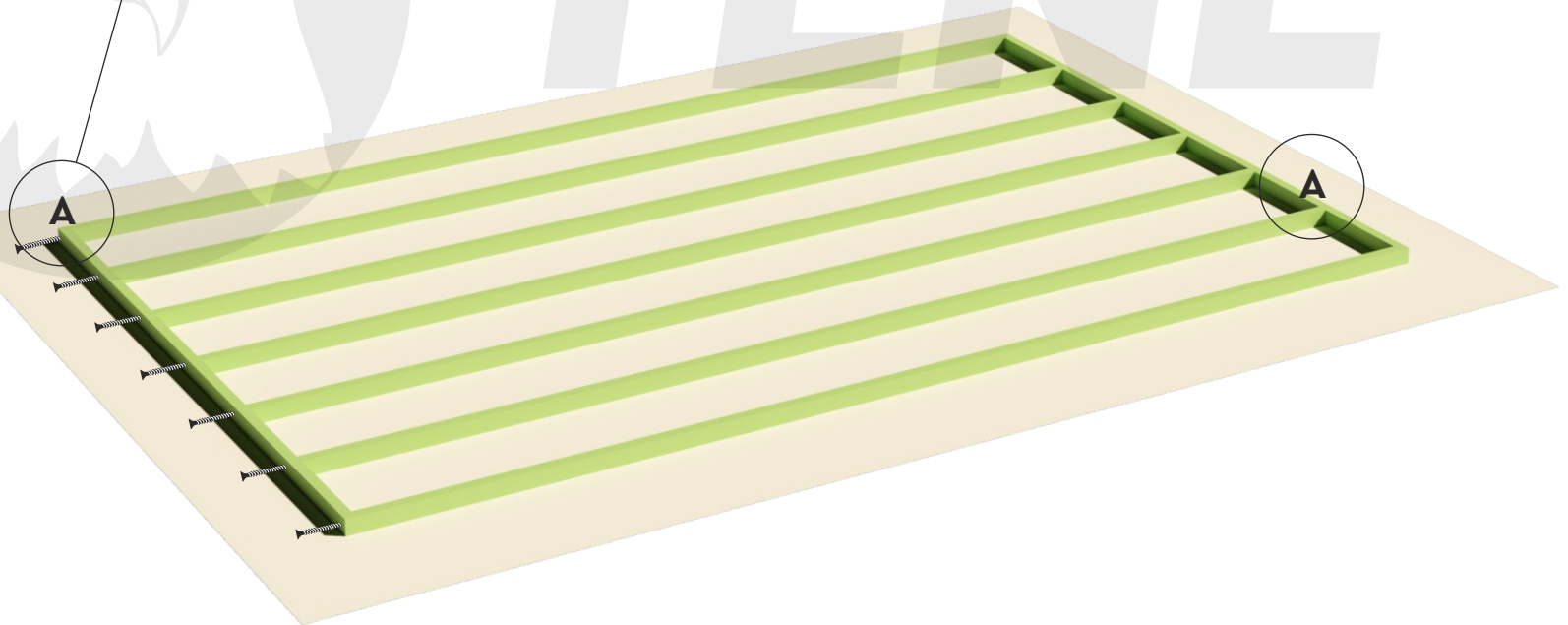
KARMEN 40



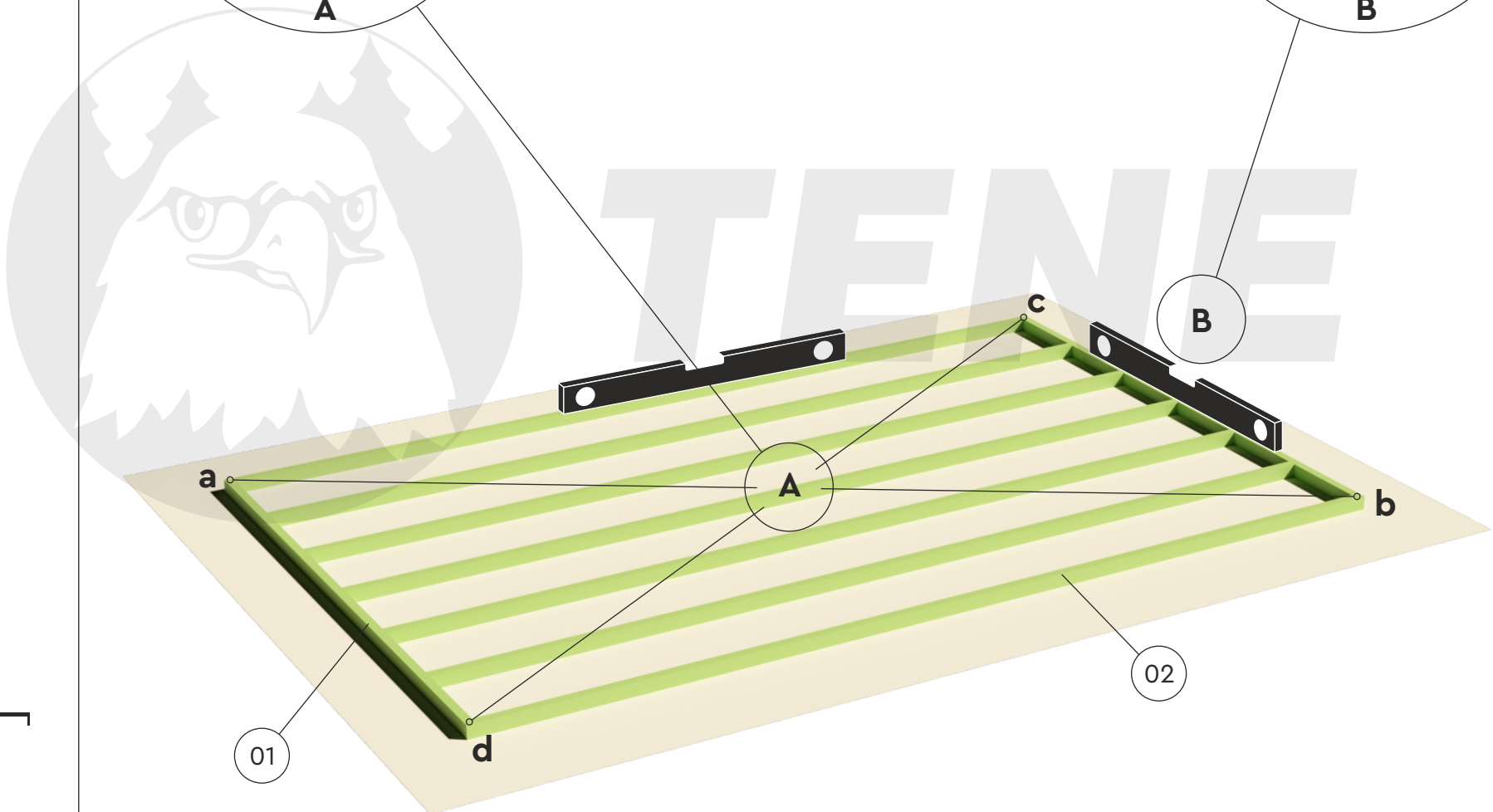
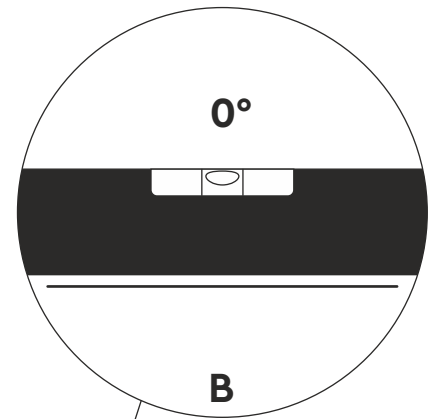
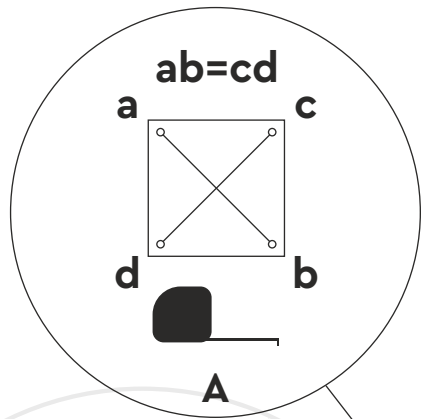
Ø 5 mm



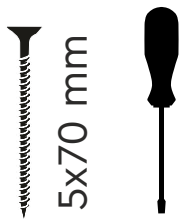
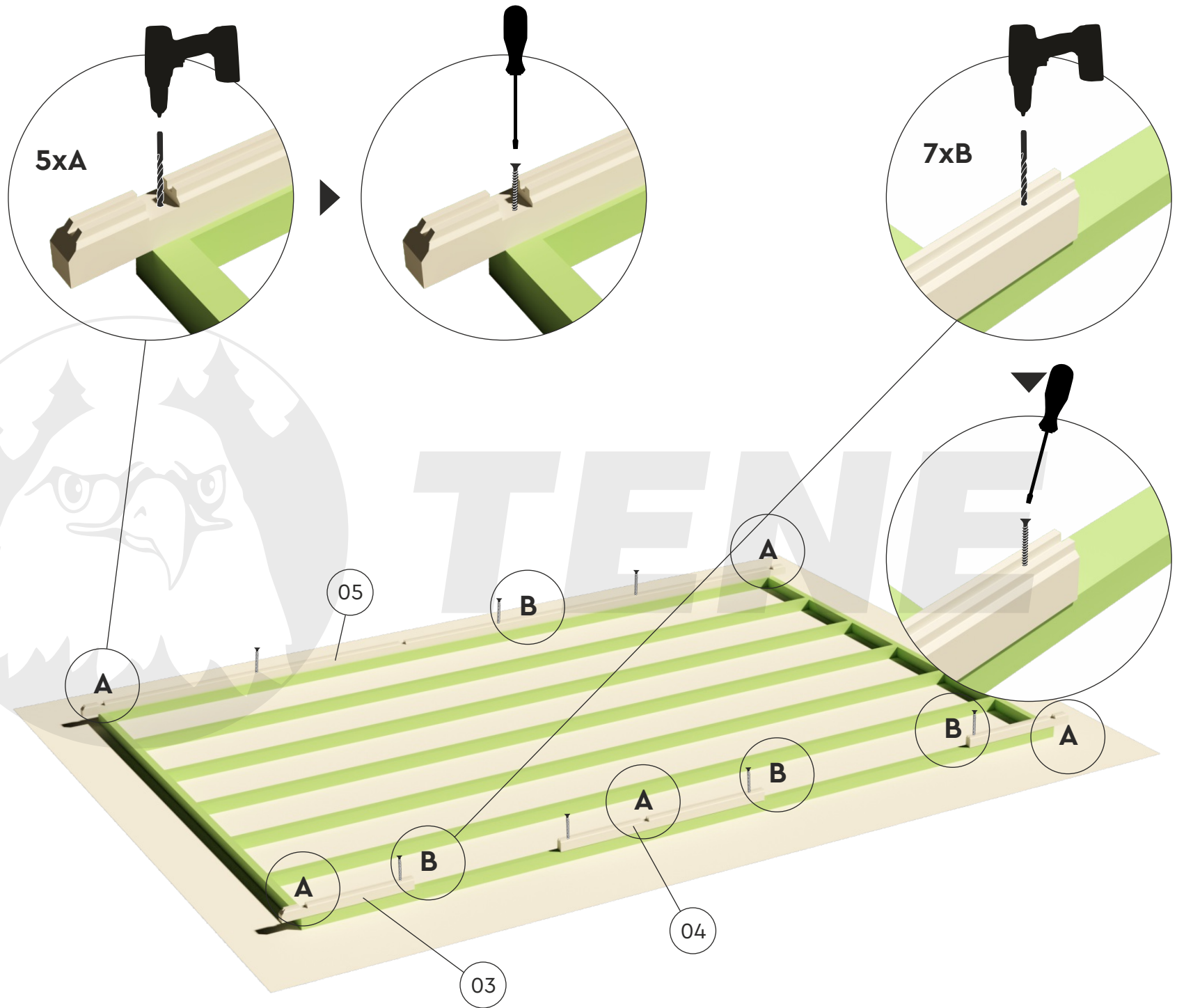
6x140 mm



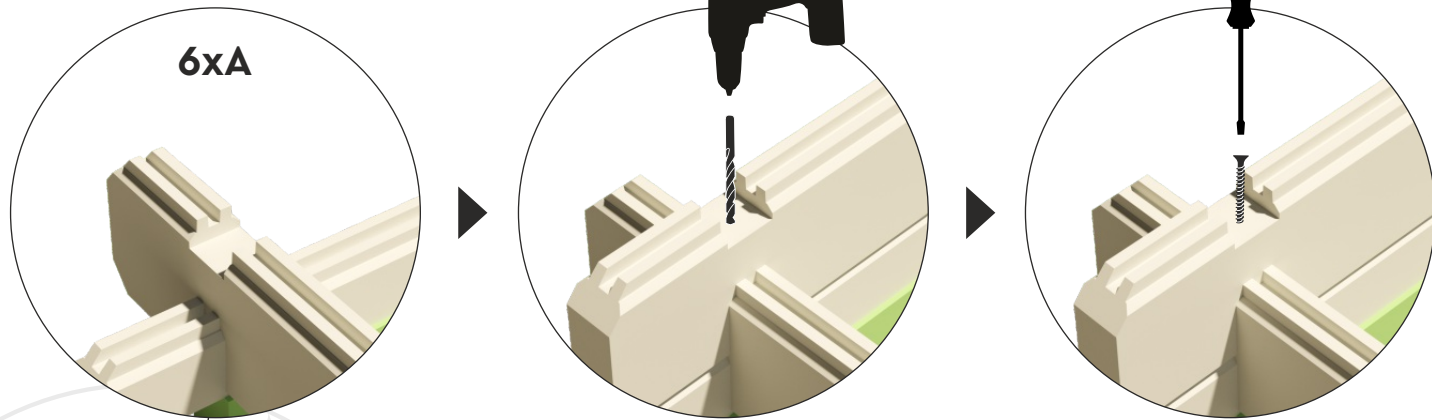
KARMEN 40



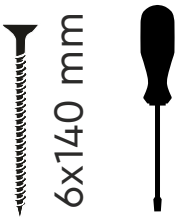
KARMEN 40



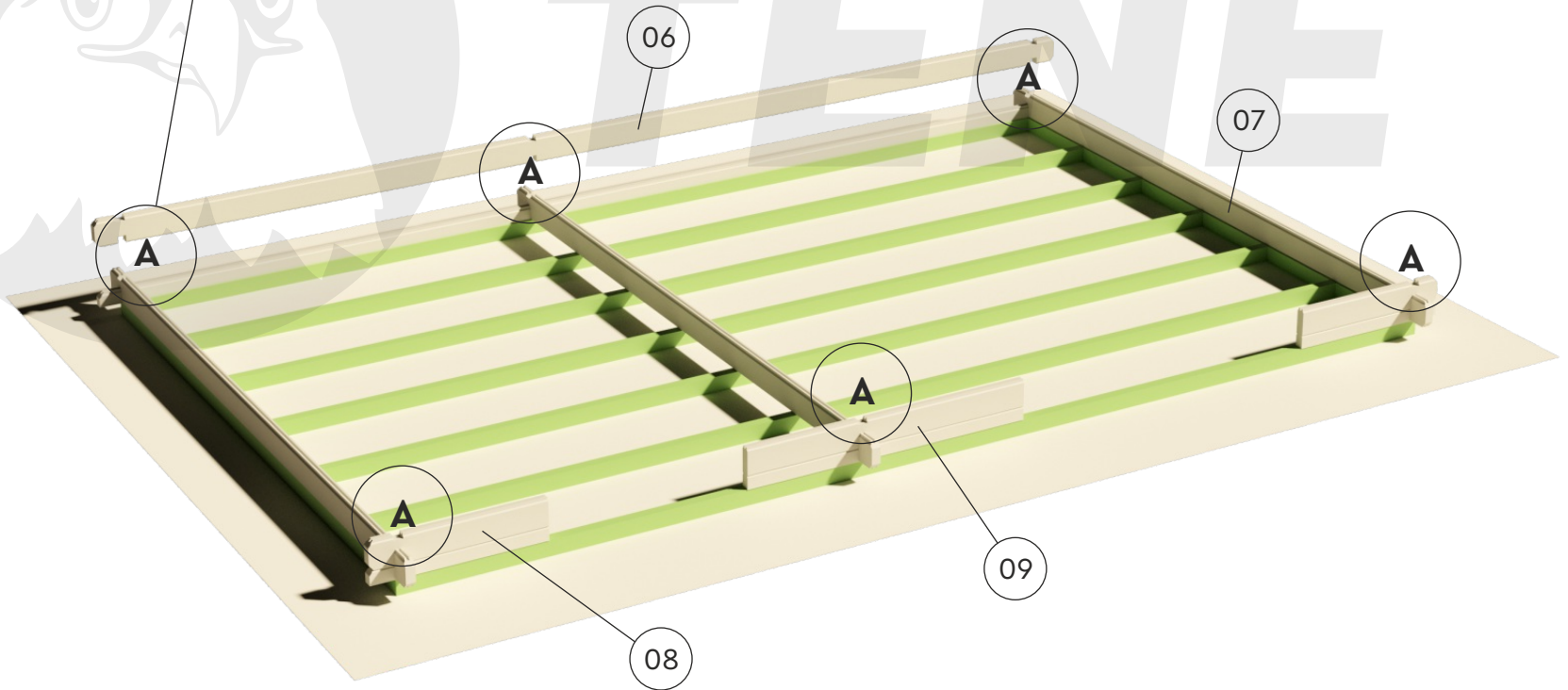
KARMEN 40



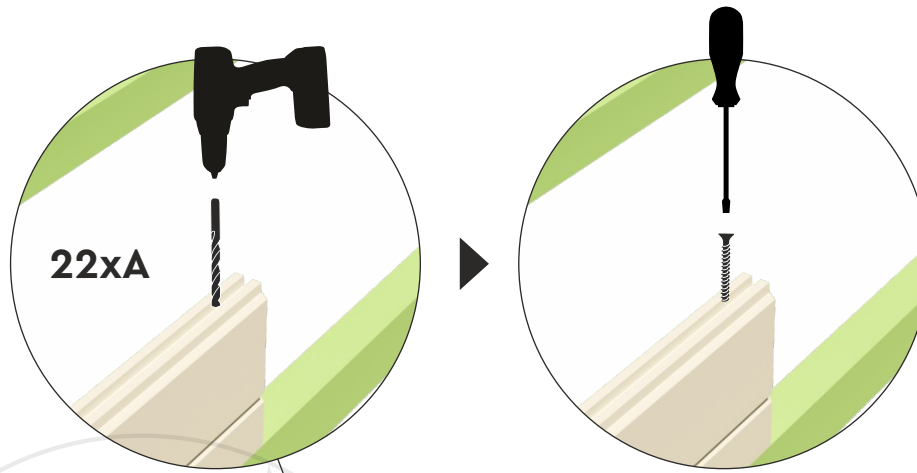
Ø 5 mm



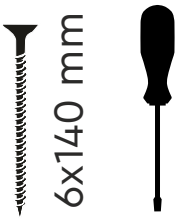
6x140 mm



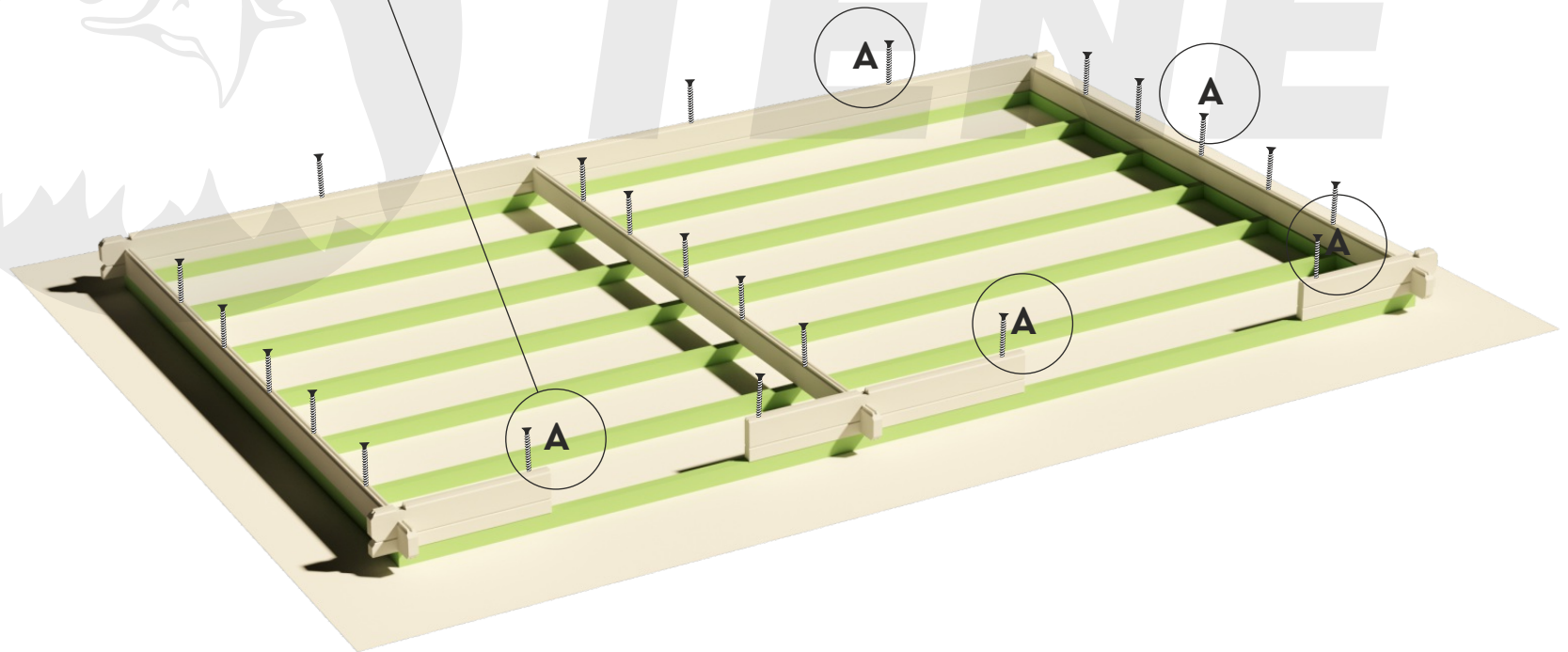
KARMEN 40



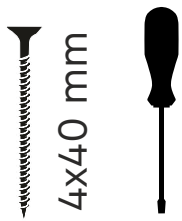
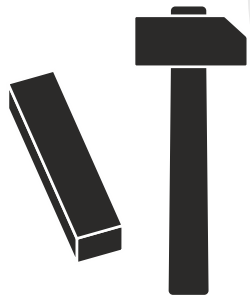
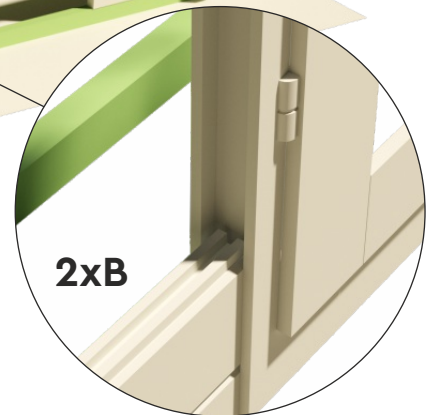
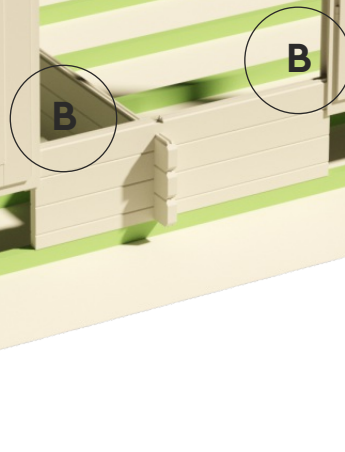
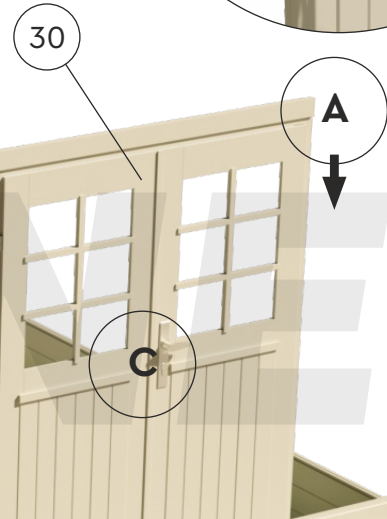
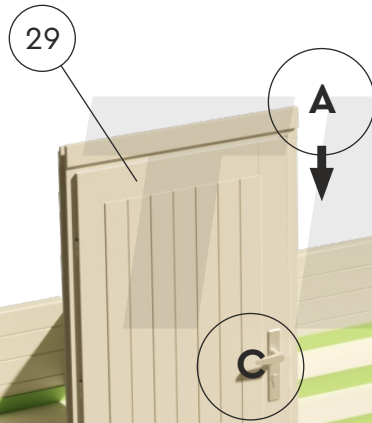
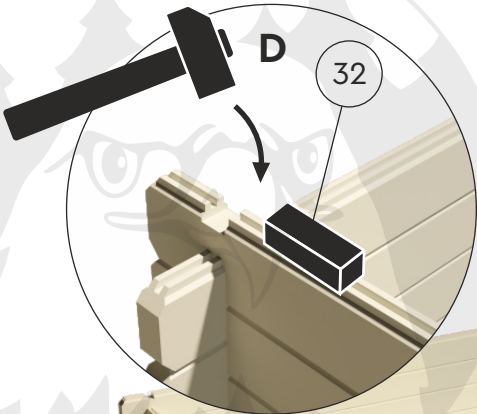
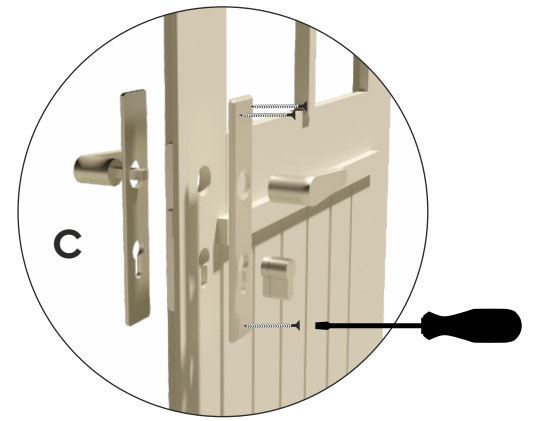
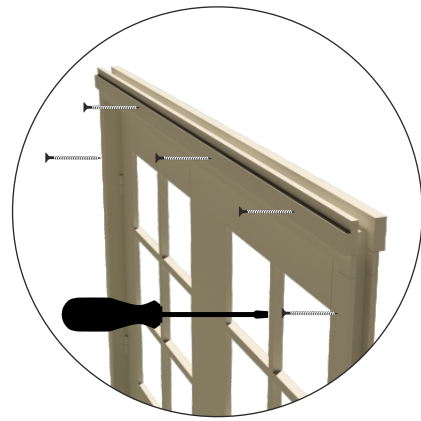
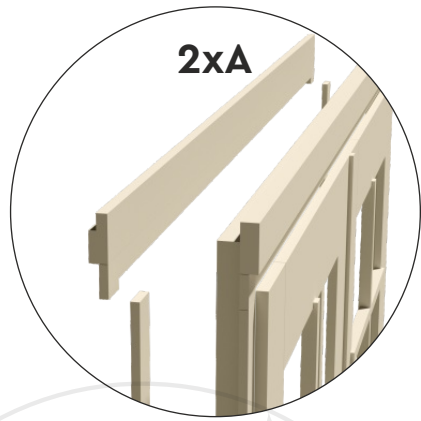
Ø 5 mm



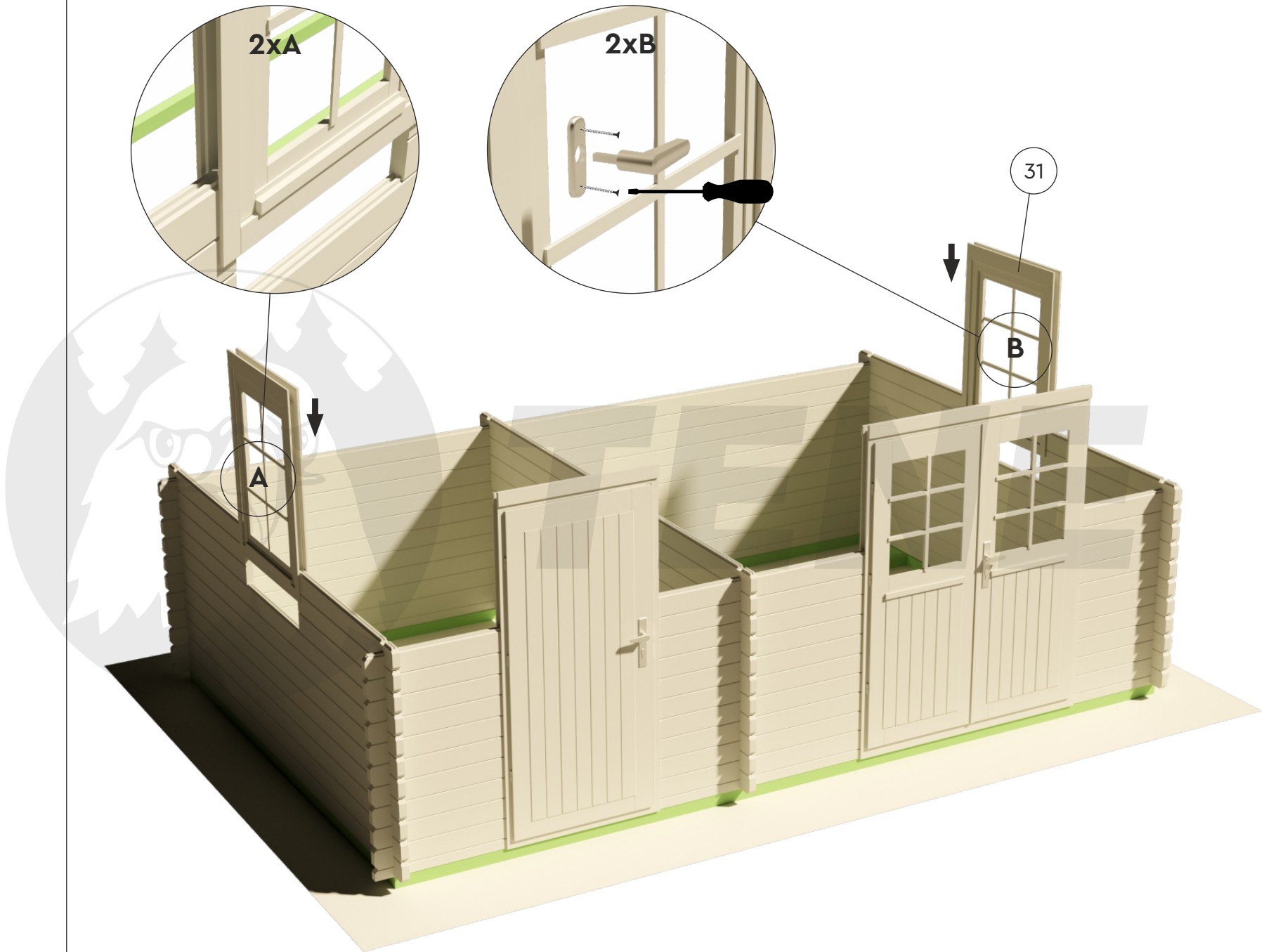
6x140 mm



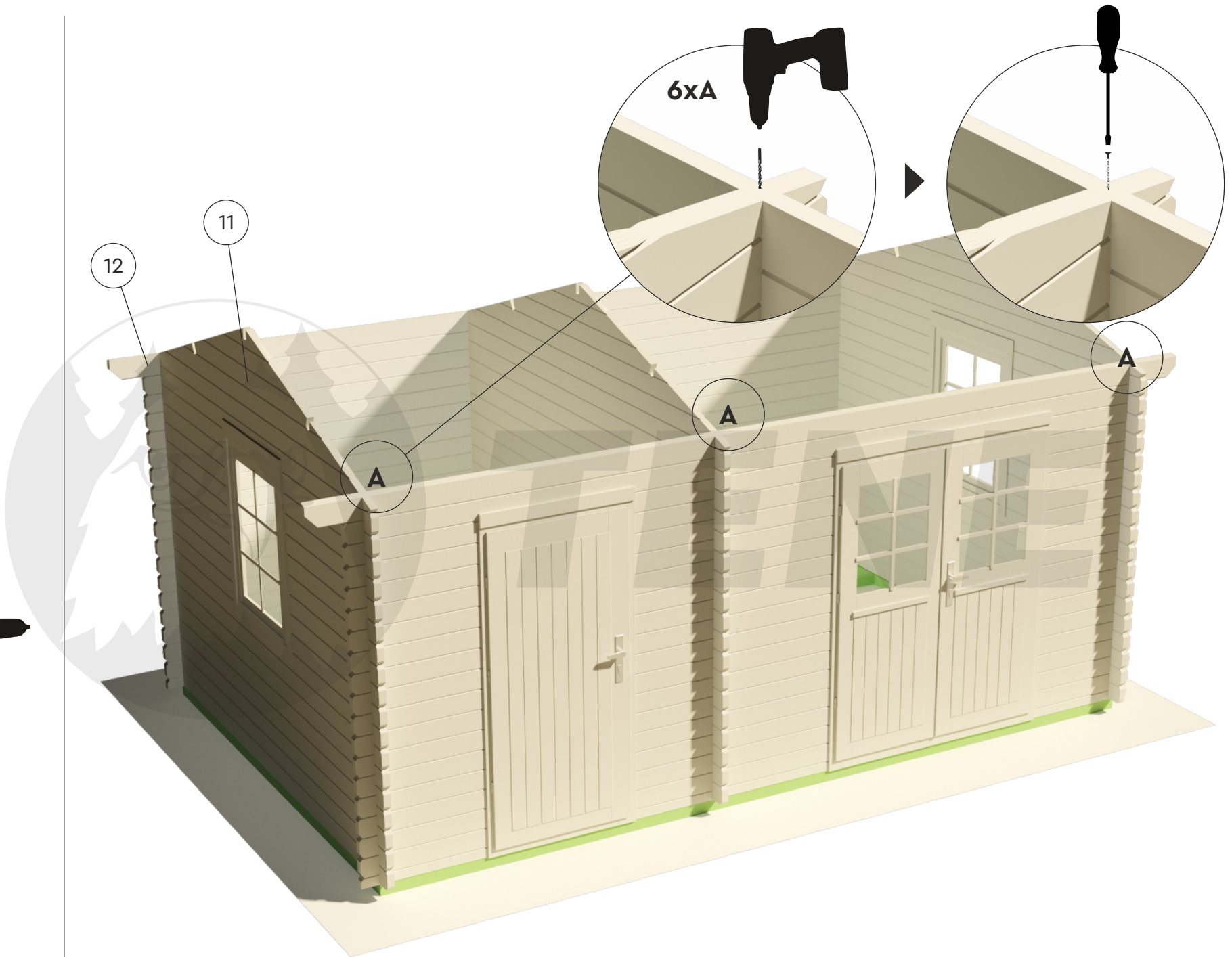
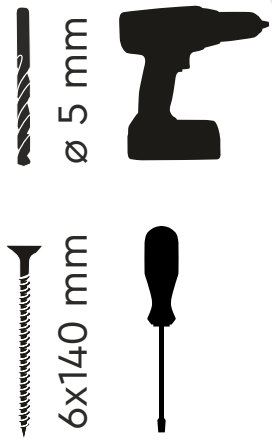
KARMEN 40



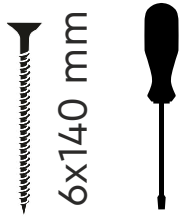
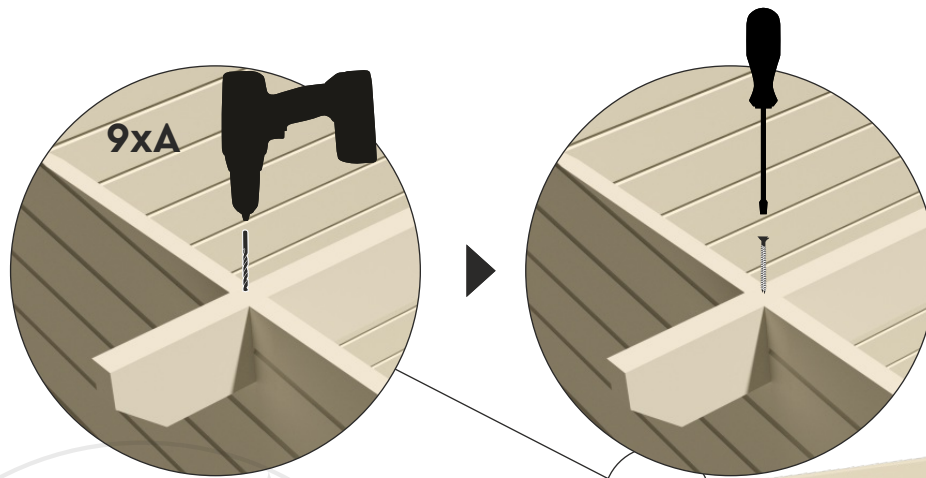
KARMEN 40



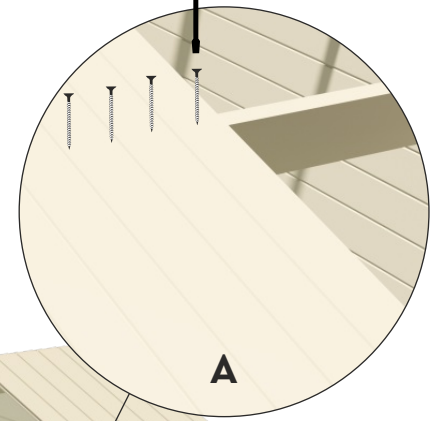
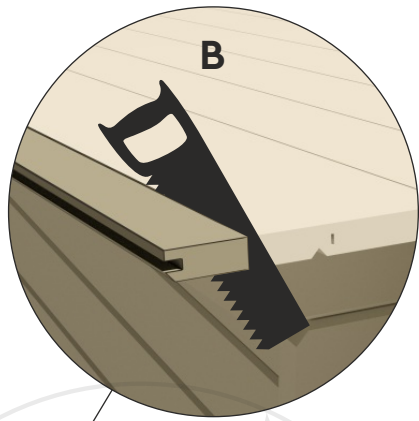
KARMEN 40



KARMEN 40



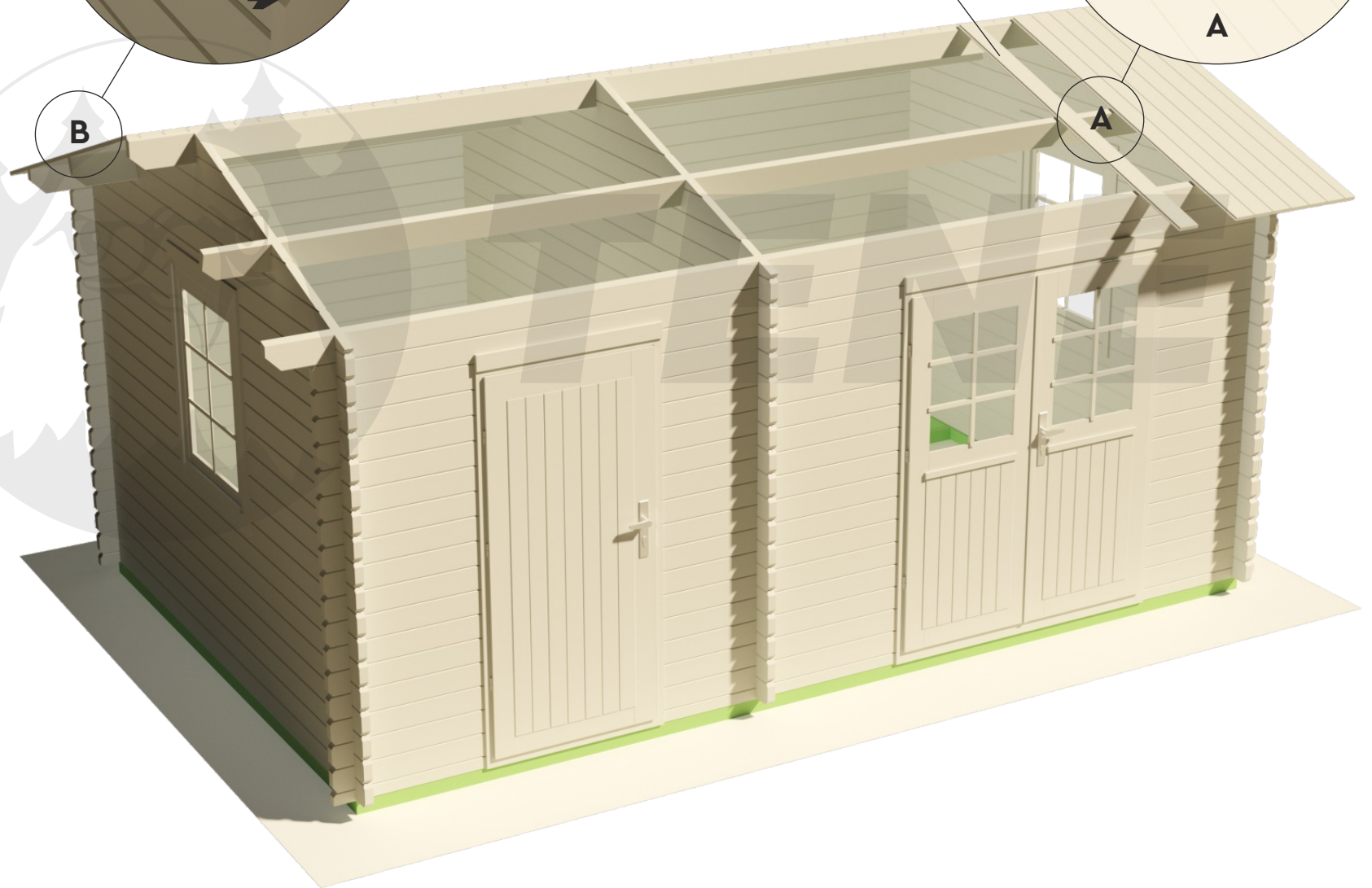
KARMEN 40



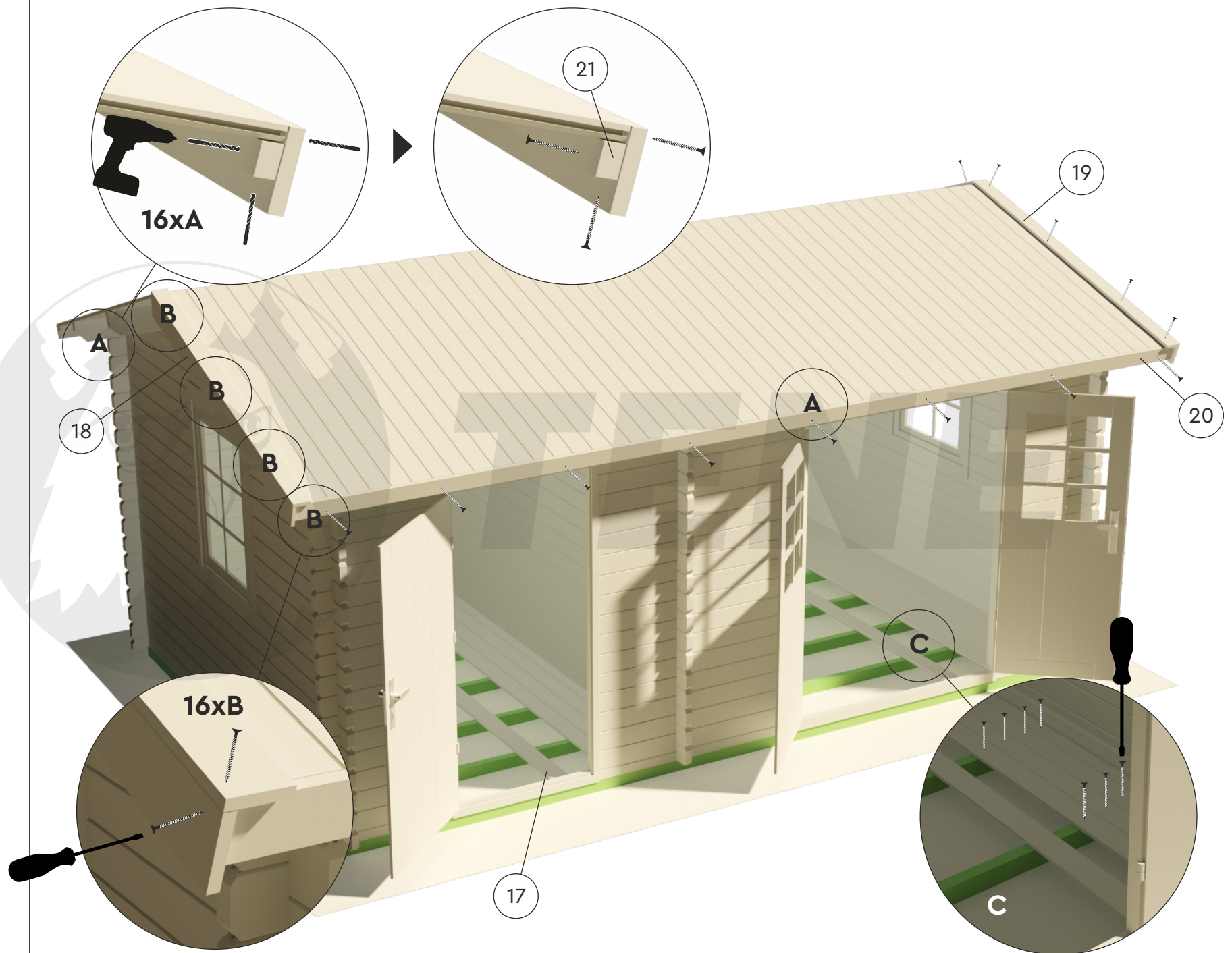
16

B

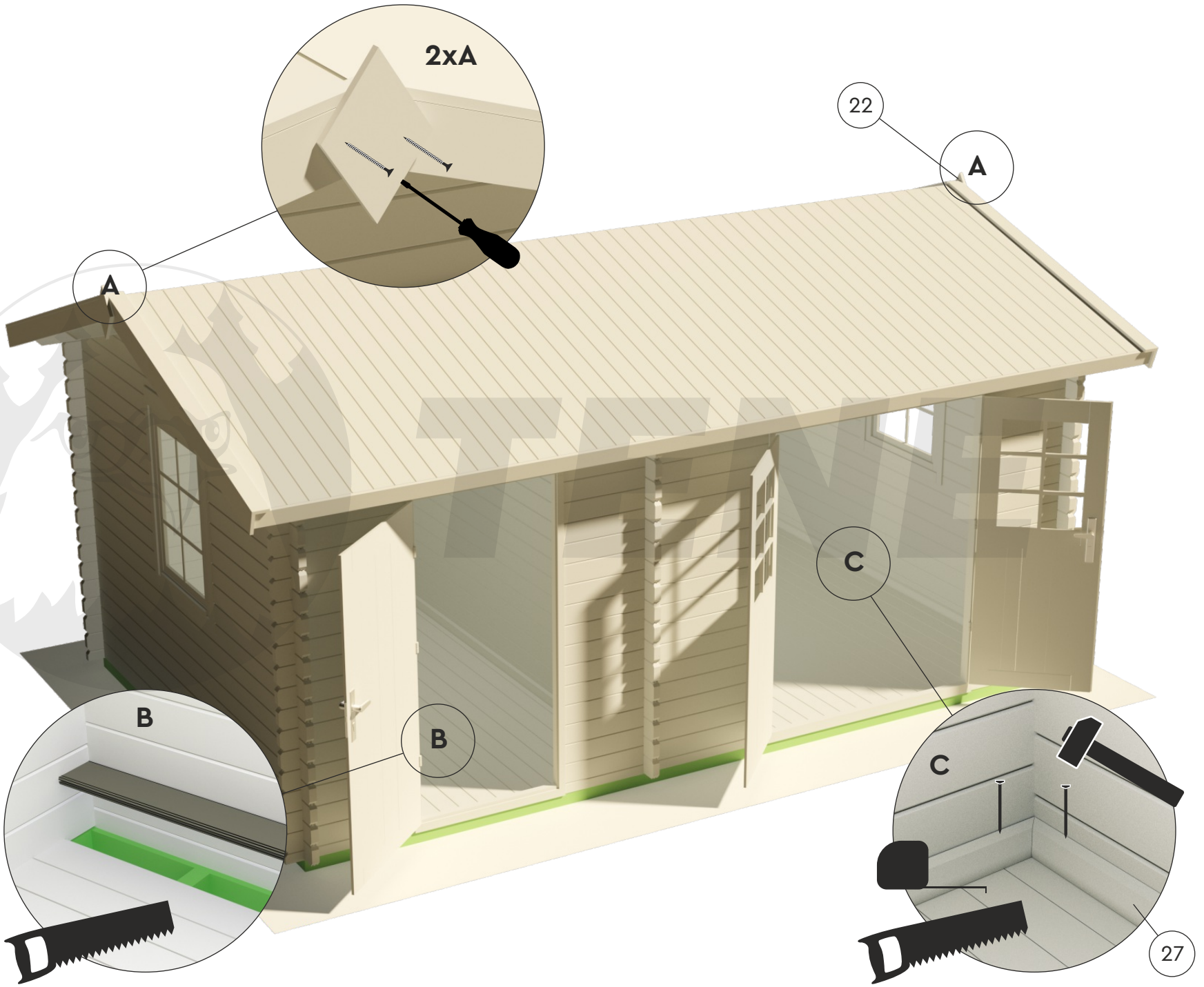
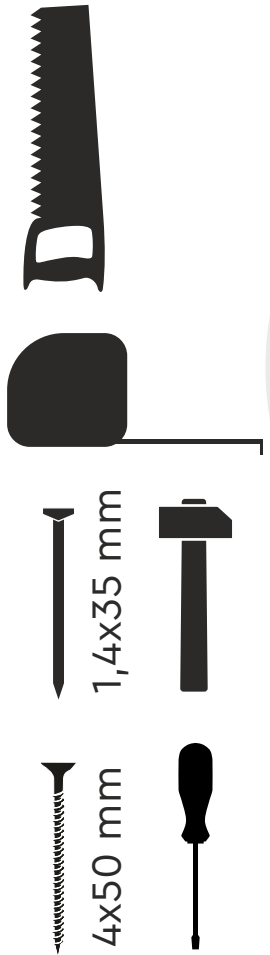
A



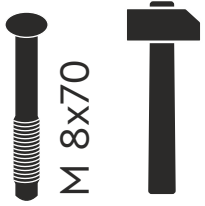
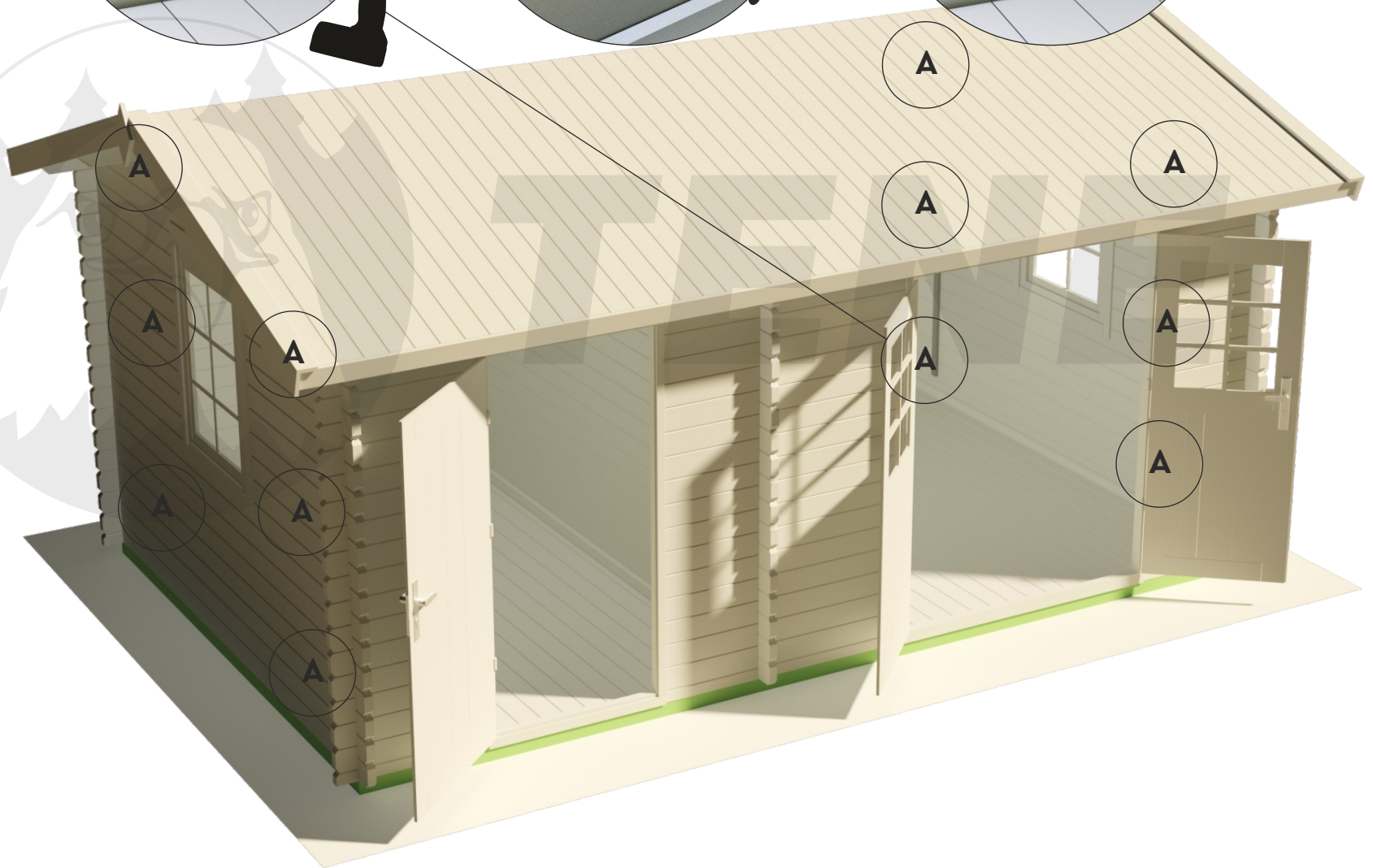
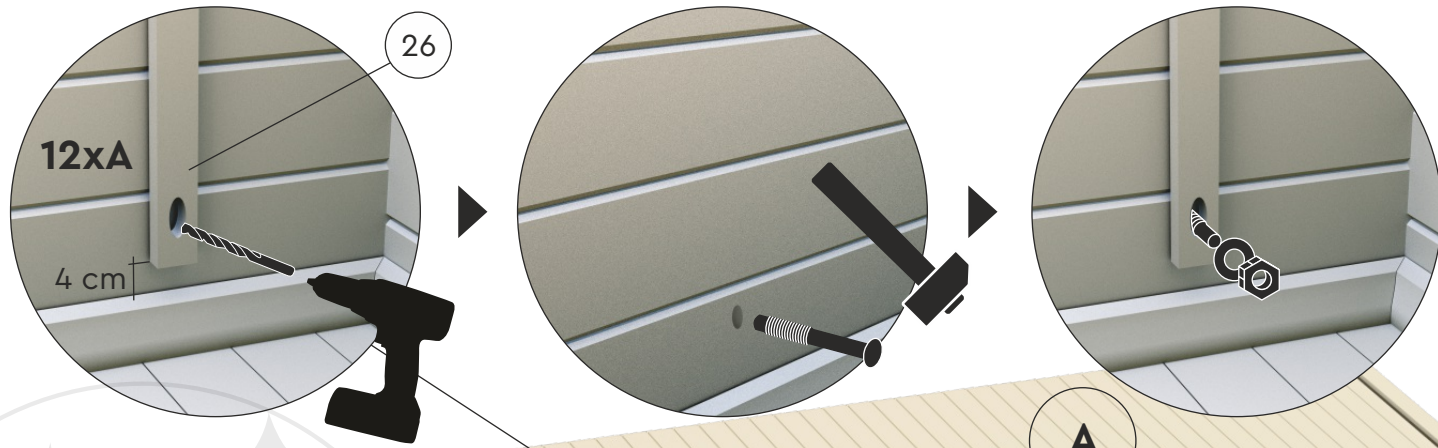
KARMEN 40



KARMEN 40



KARMEN 40



KARMEN 40

