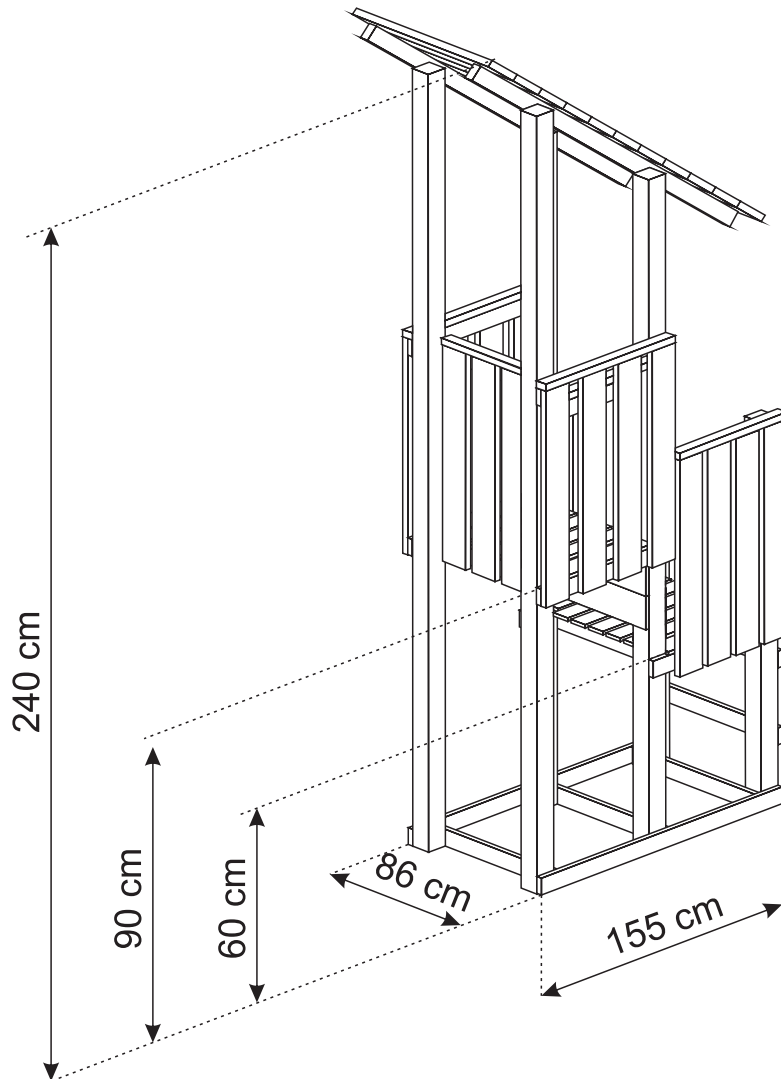
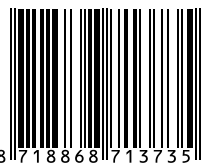


Discovery Playcentre Pirat



155cm x 86cm x 240cm

Art. number: 1373

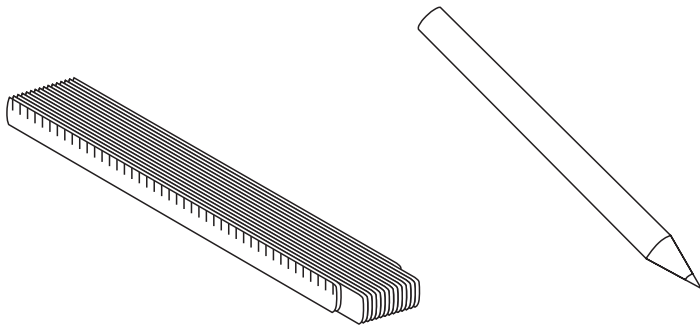
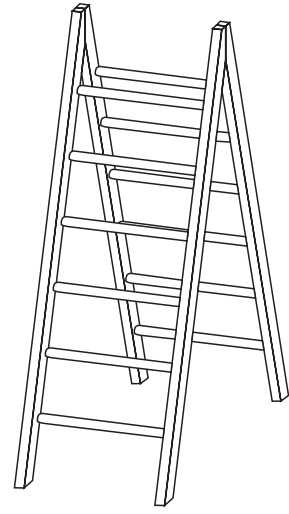
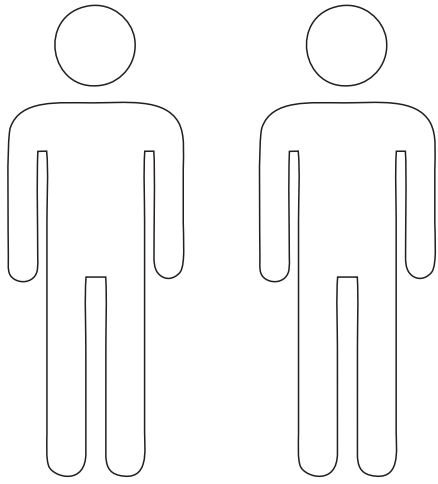


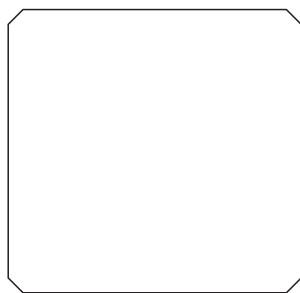
8 171886 817137 351



Impregnation / KDI: Impralit KDS

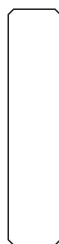






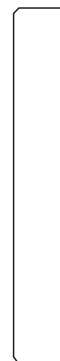
70 x 70 mm

- J** 70 x 70 x 1170 mm - 2 szt.
- K** 70 x 70 x 2000 mm - 2 szt.
- L** 70 x 70 x 2300 mm - 2 szt.



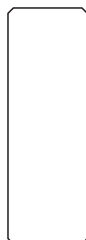
18 x 58 mm

- B** 18 x 58 x 600 mm - 1 szt.
- C** 18 x 58 x 720 mm - 2 szt.
- D** 18 x 58 x 740 mm - 5 szt.
- E** 18 x 58 x 1410 mm - 2 szt.



18 x 95 mm

- F** 18 x 95 x 600 mm - 9 szt.
- R** 18 x 95 x 670 mm - 5 szt.
- G** 18 x 95 x 850 mm - 11 szt.



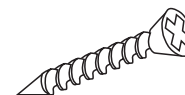
28 x 58 mm

- H** 28 x 58 x 740 mm - 15 szt.
- I** 58 x 58 x 960 mm - 2 szt.



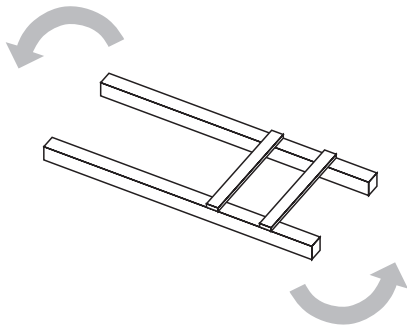
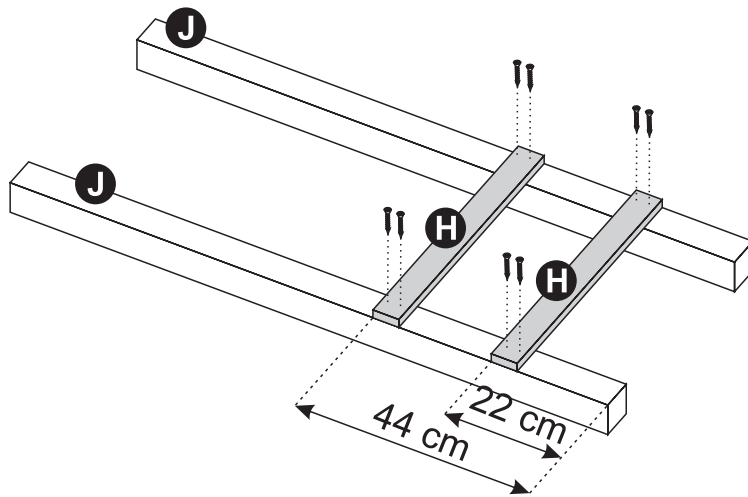
16 x 145 mm

- A** 16 x 145 x 650 mm - 19 szt.
- S** 16 x 145 x 740 mm - 2 szt.

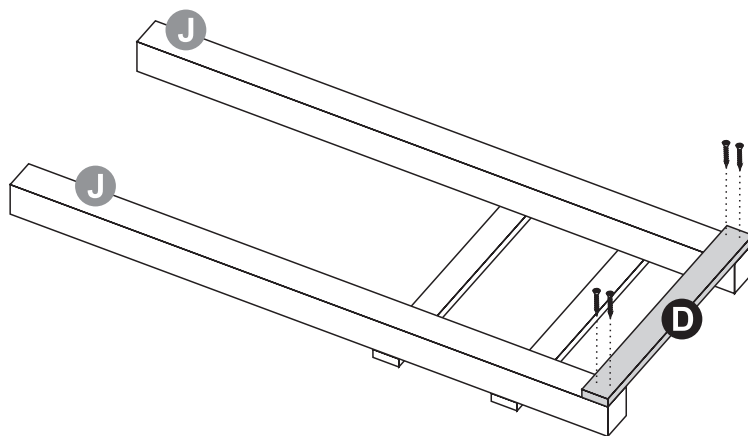


- M** 4 x 40 mm - 218 szt.
- N** 4 x 80 mm - 64 szt.

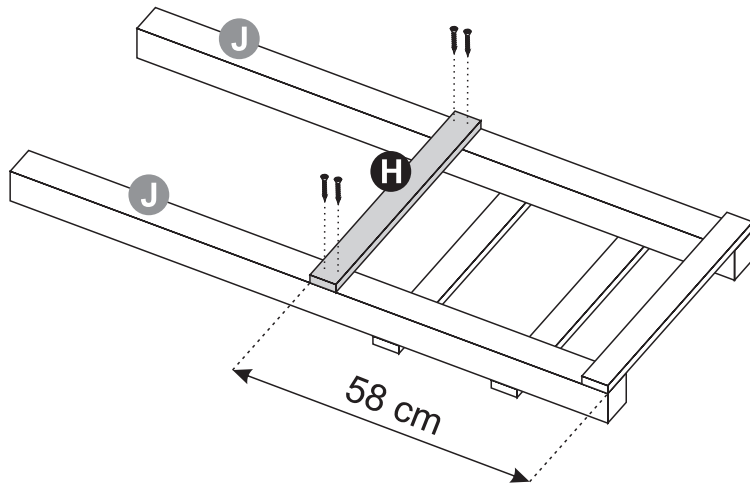
N x 8



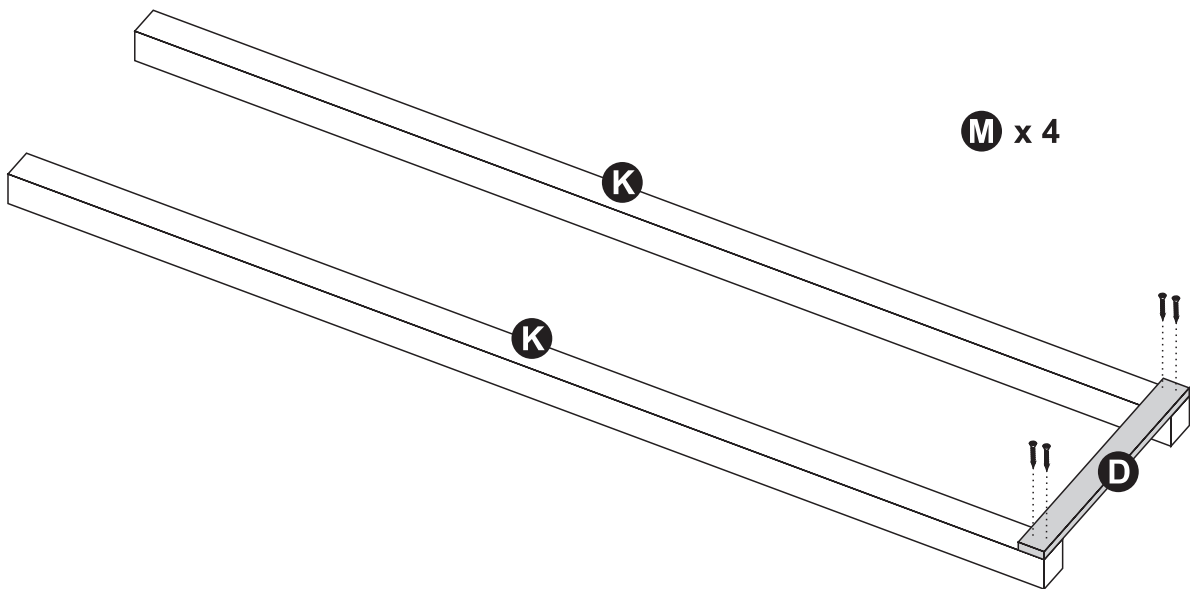
M x 4

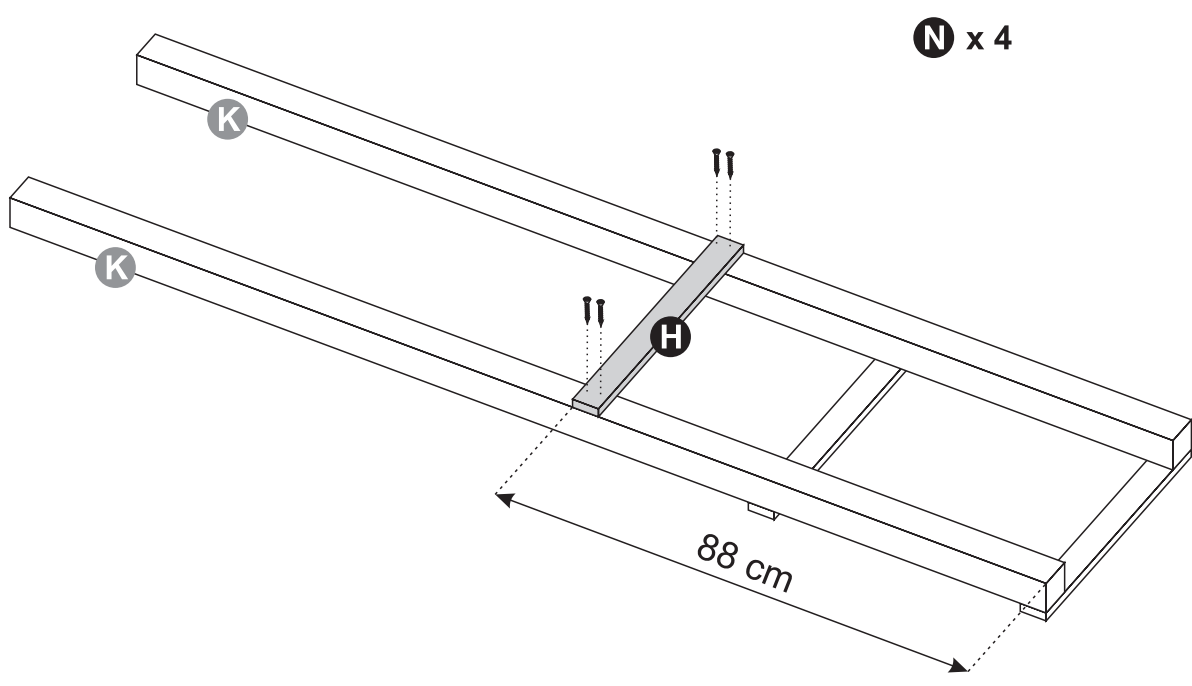
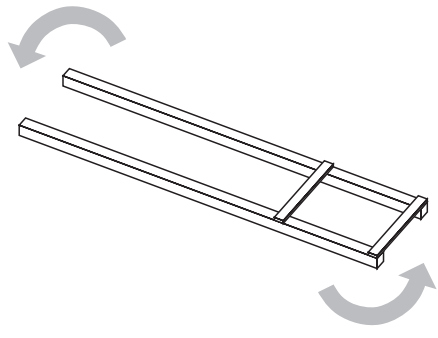
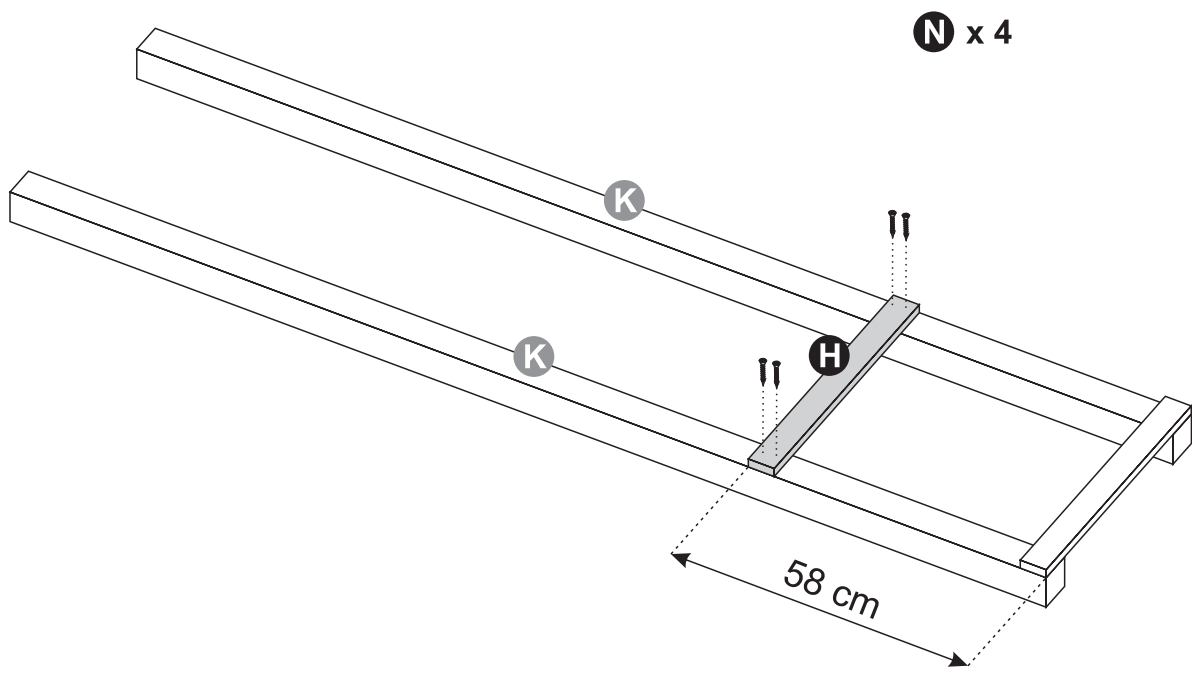


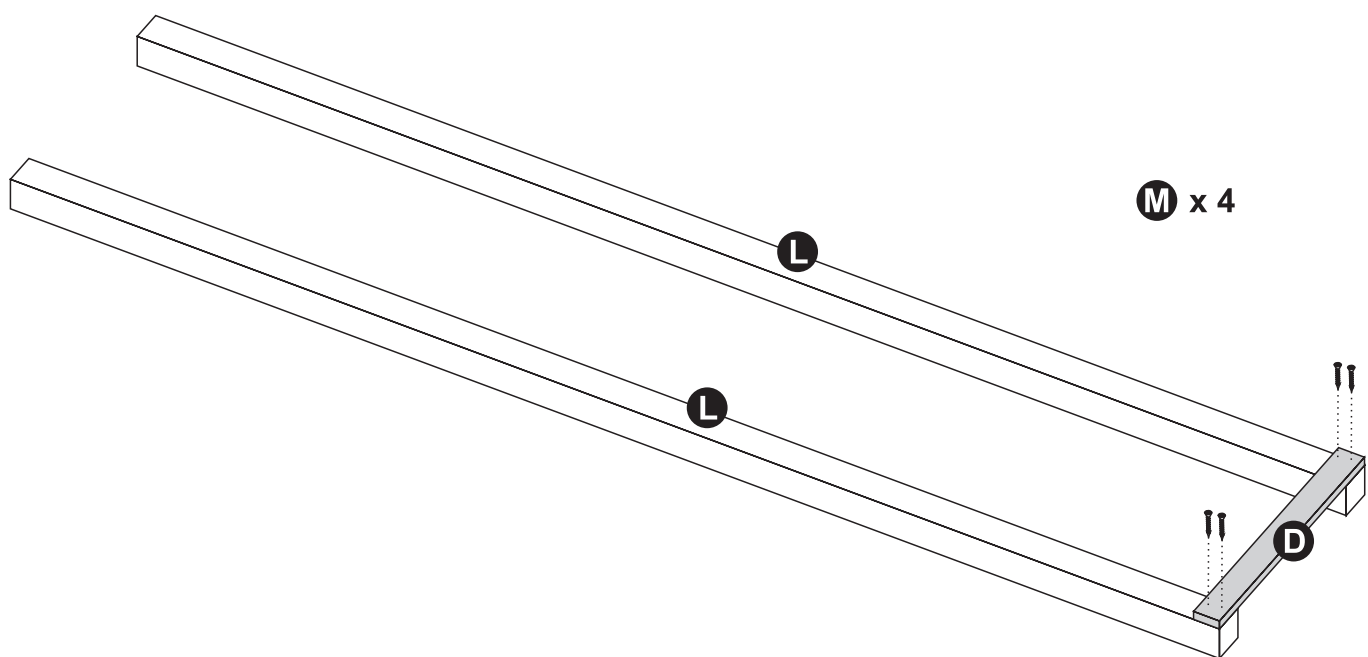
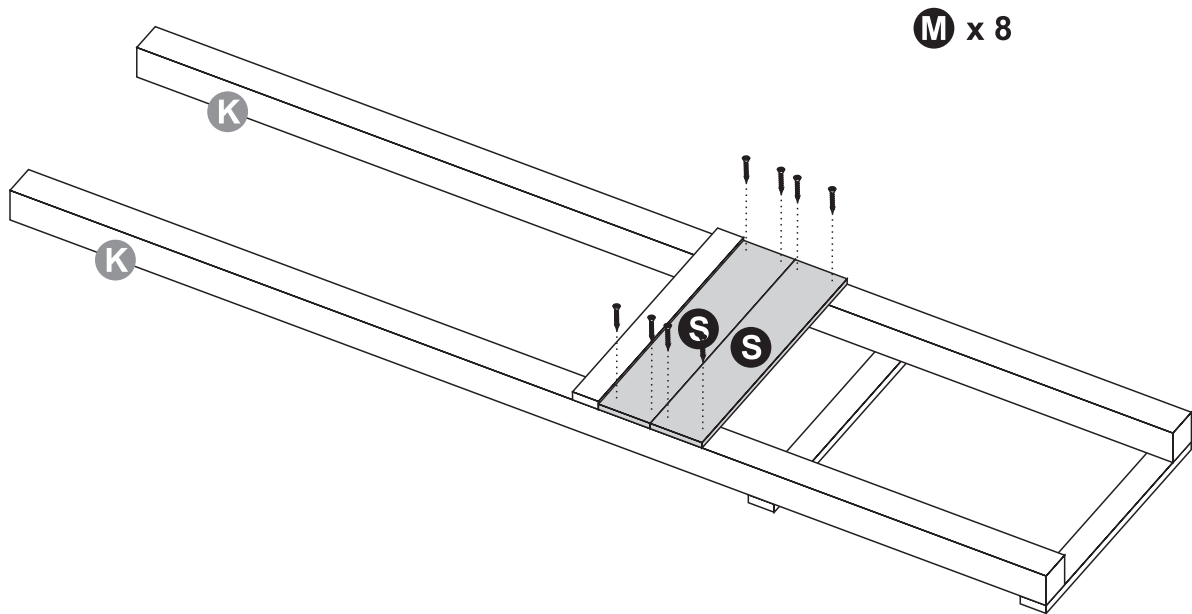
N x 4

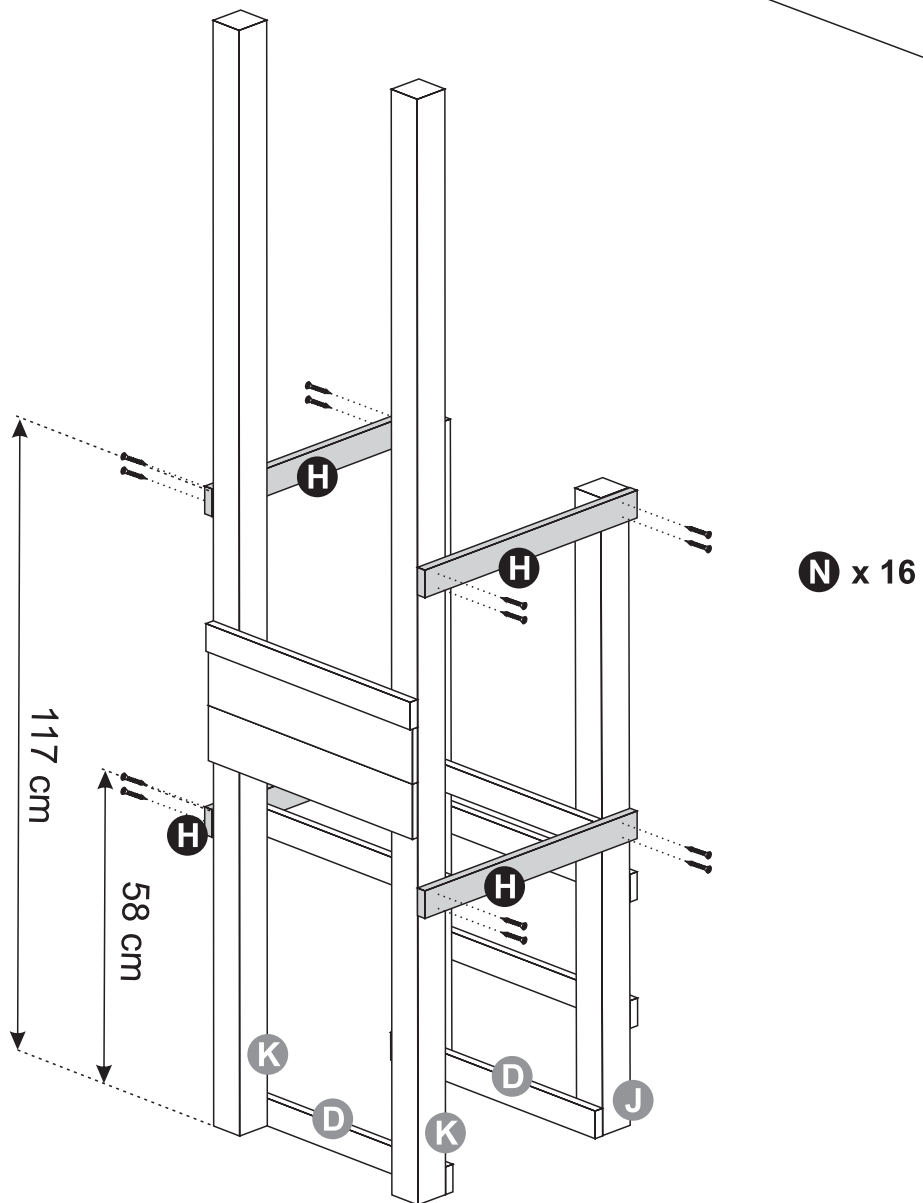
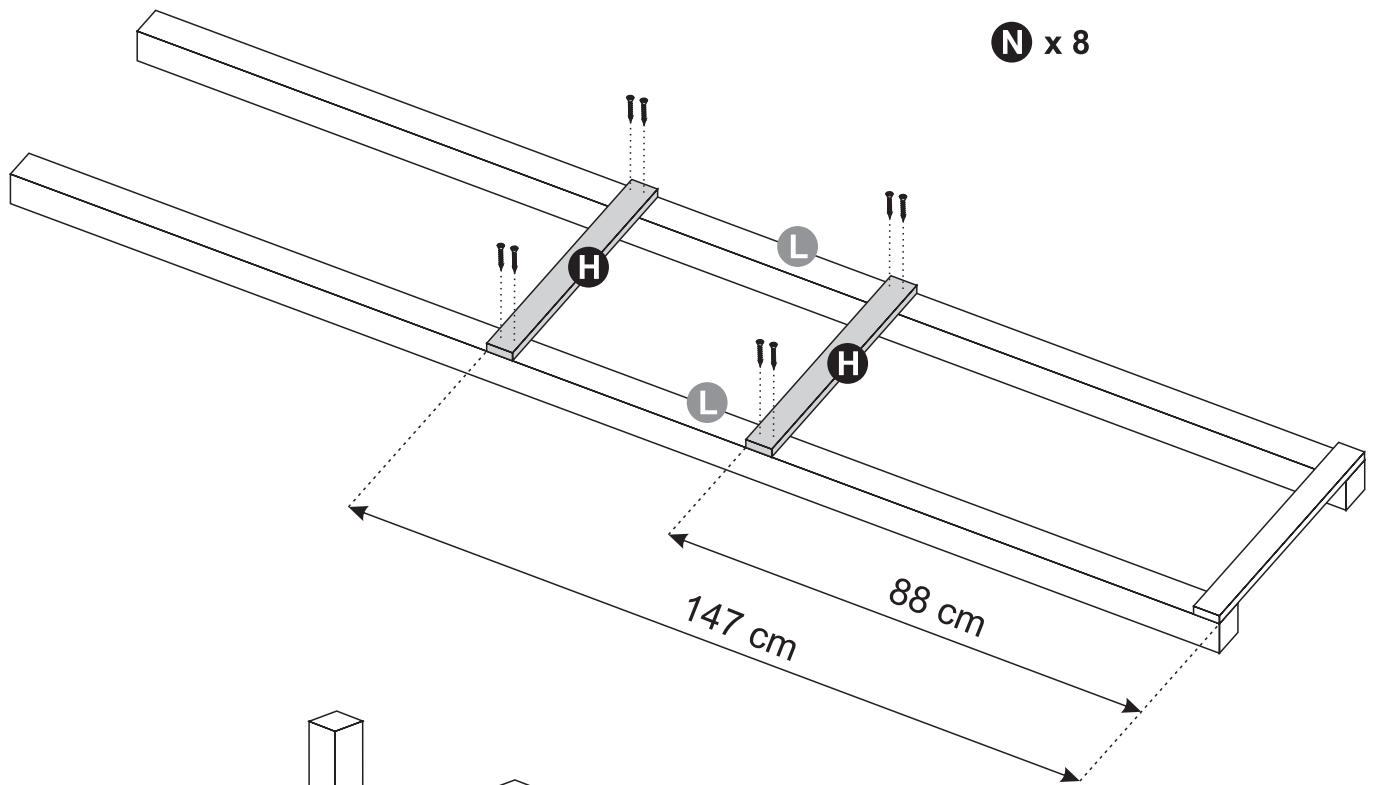


M x 4

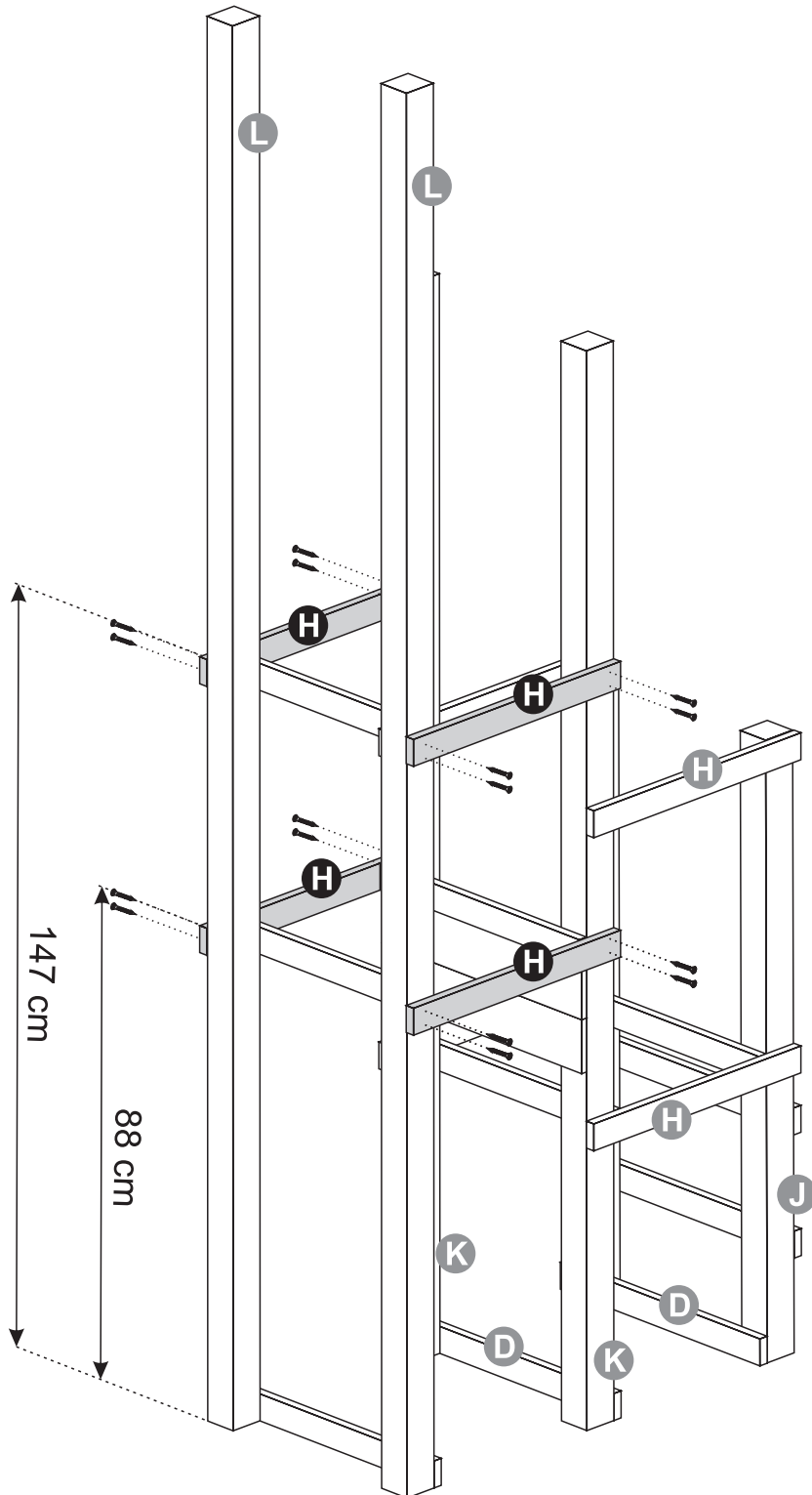




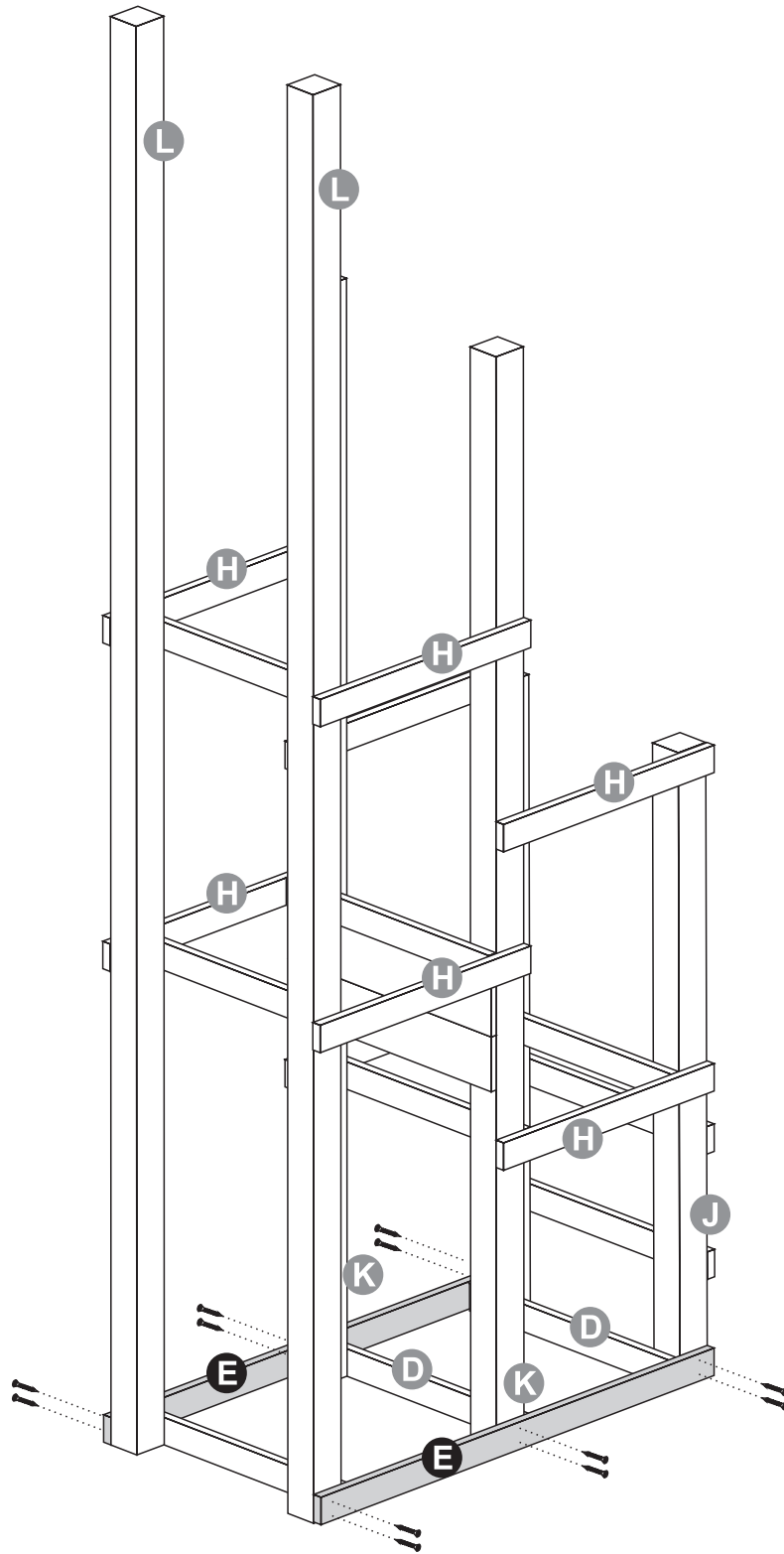




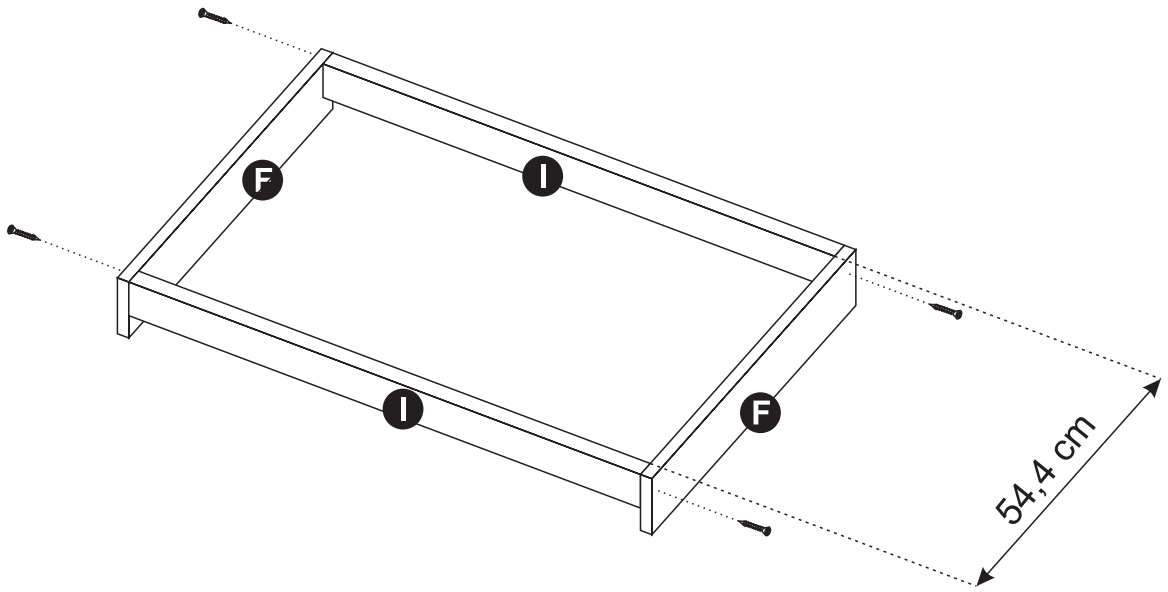
N x 16



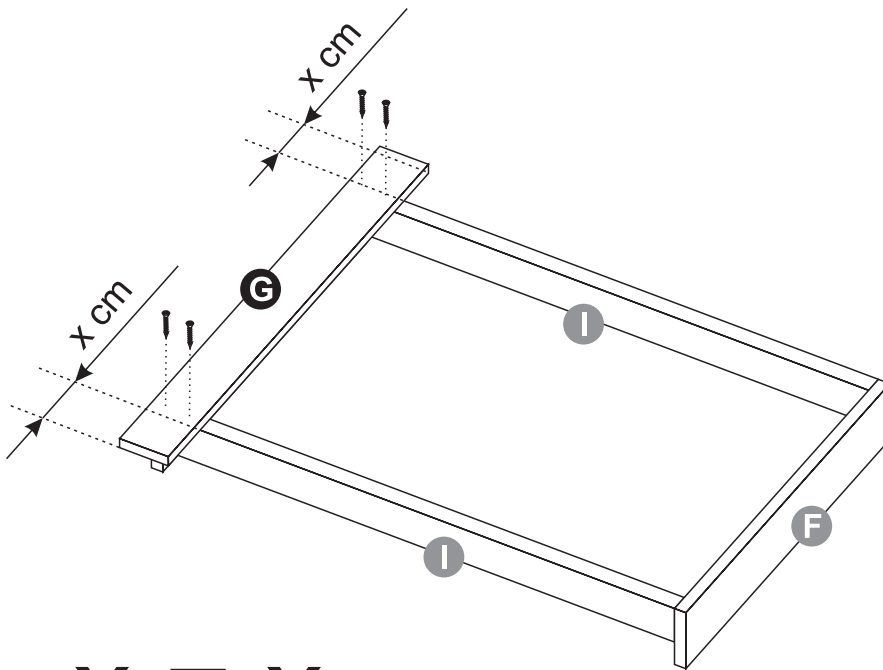
M x 12



M x 4

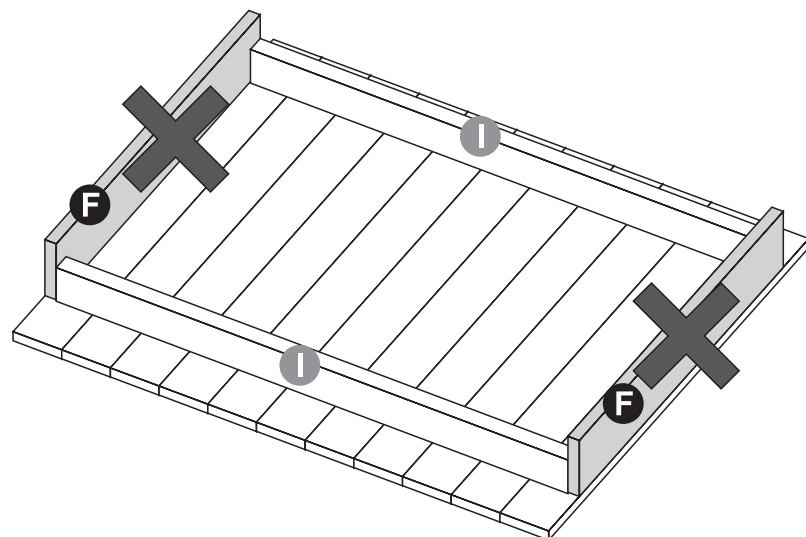
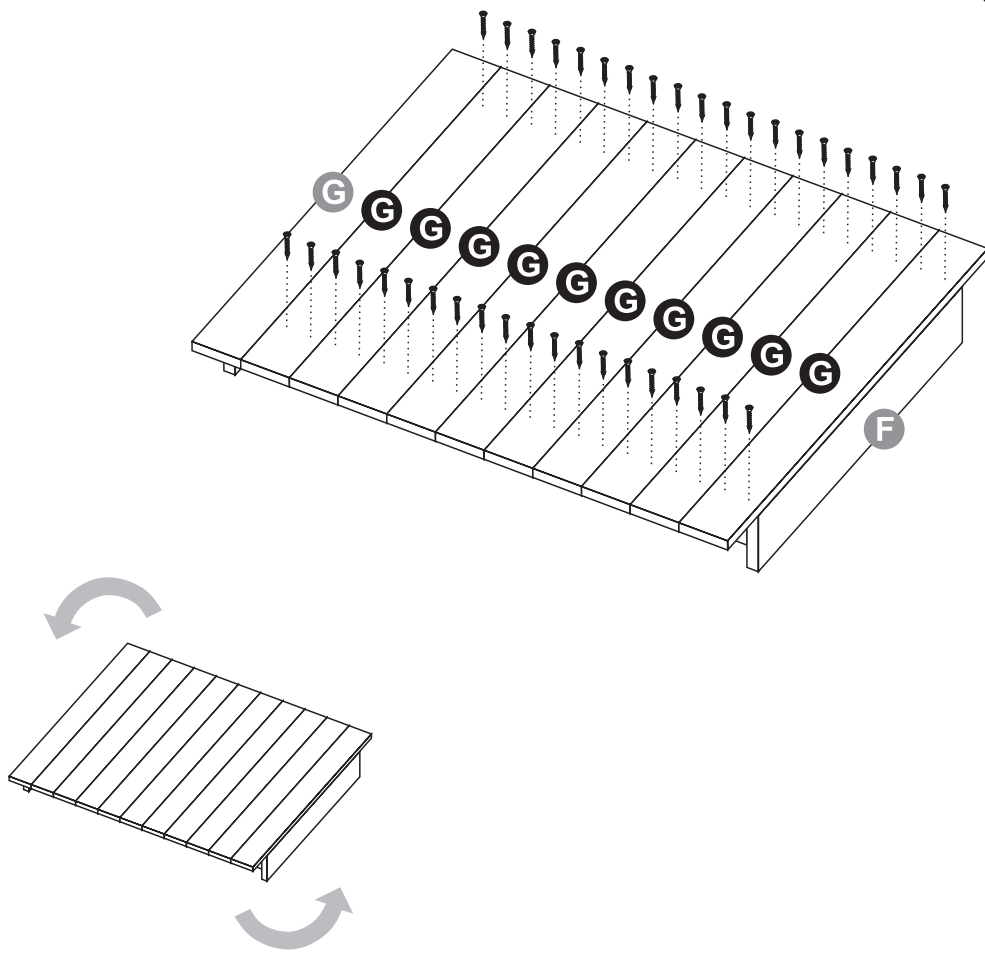


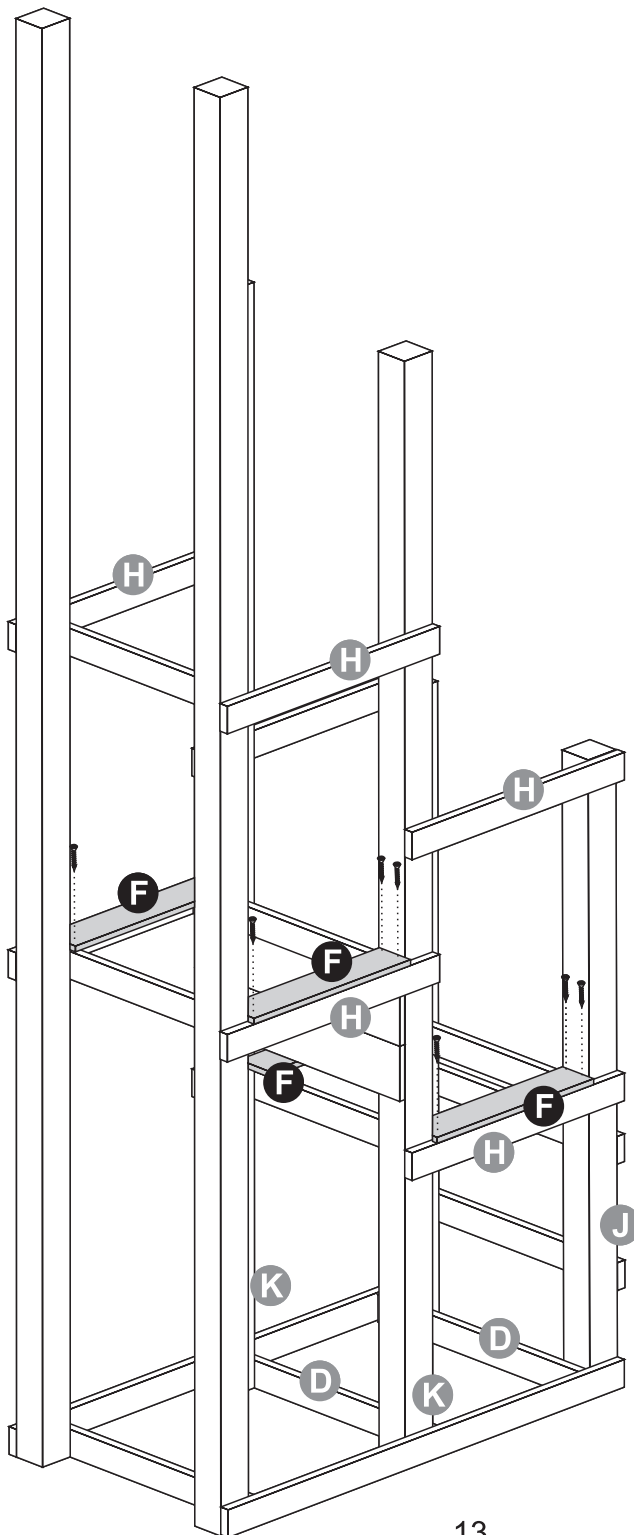
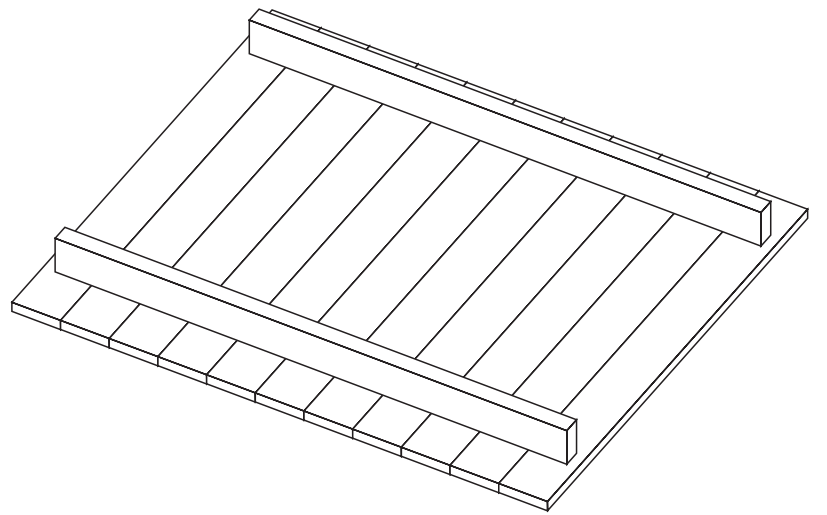
M x 4



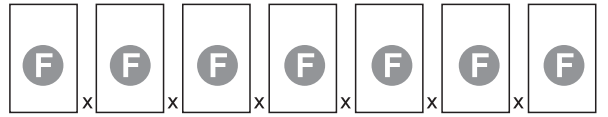
X = X

M x 40

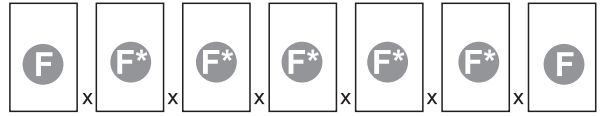




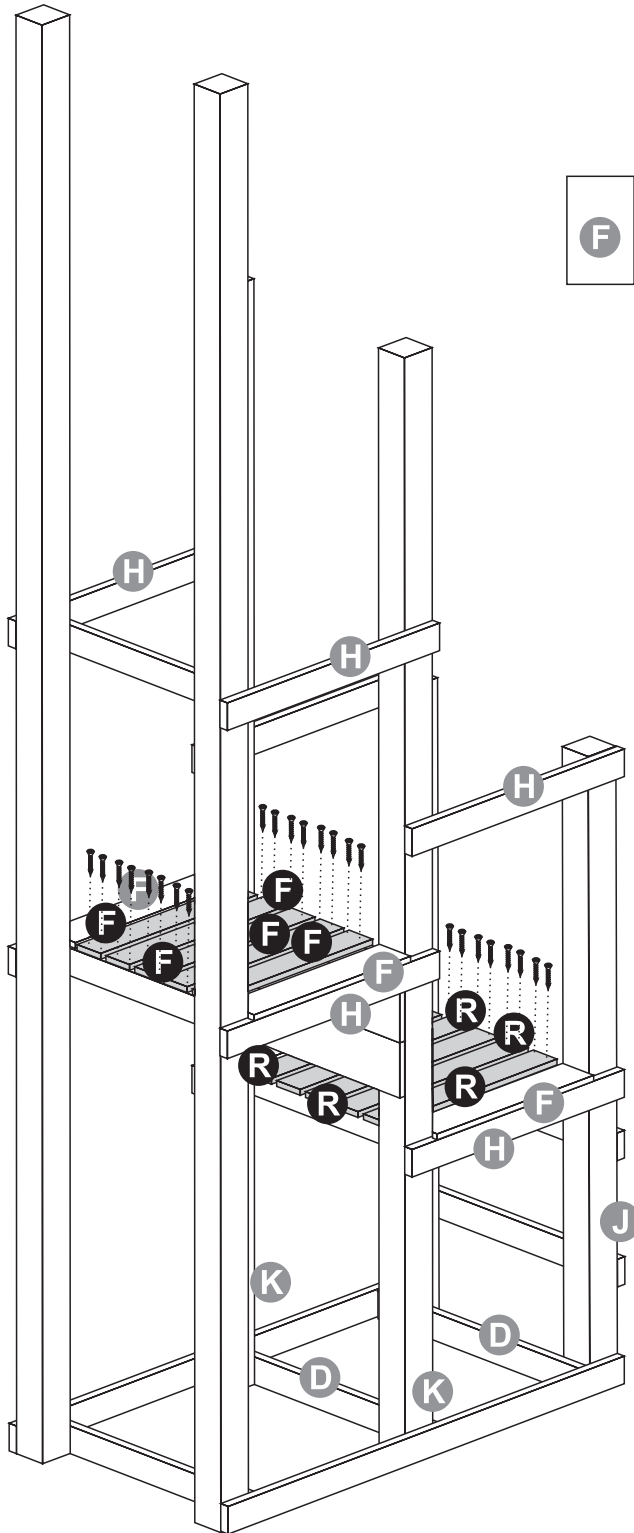
M x 16



X = X

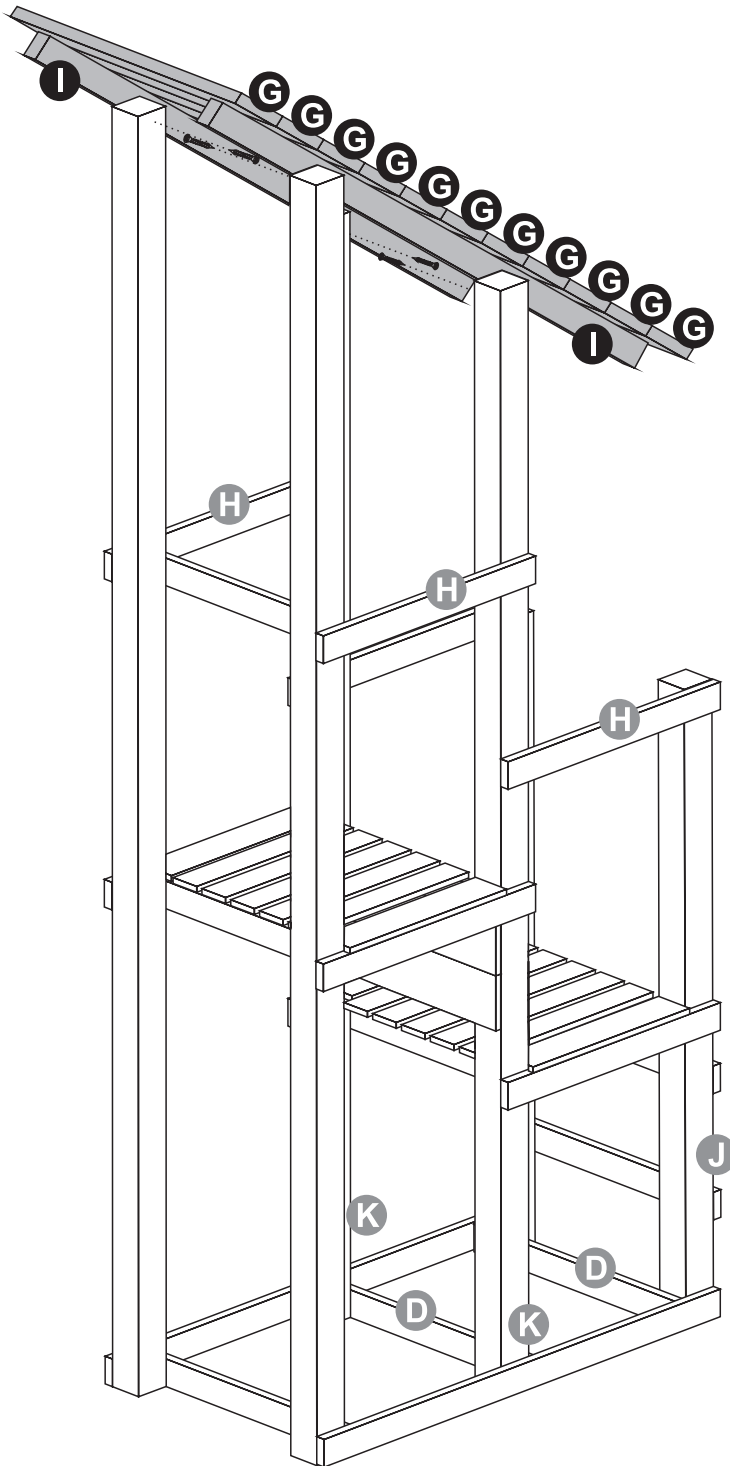


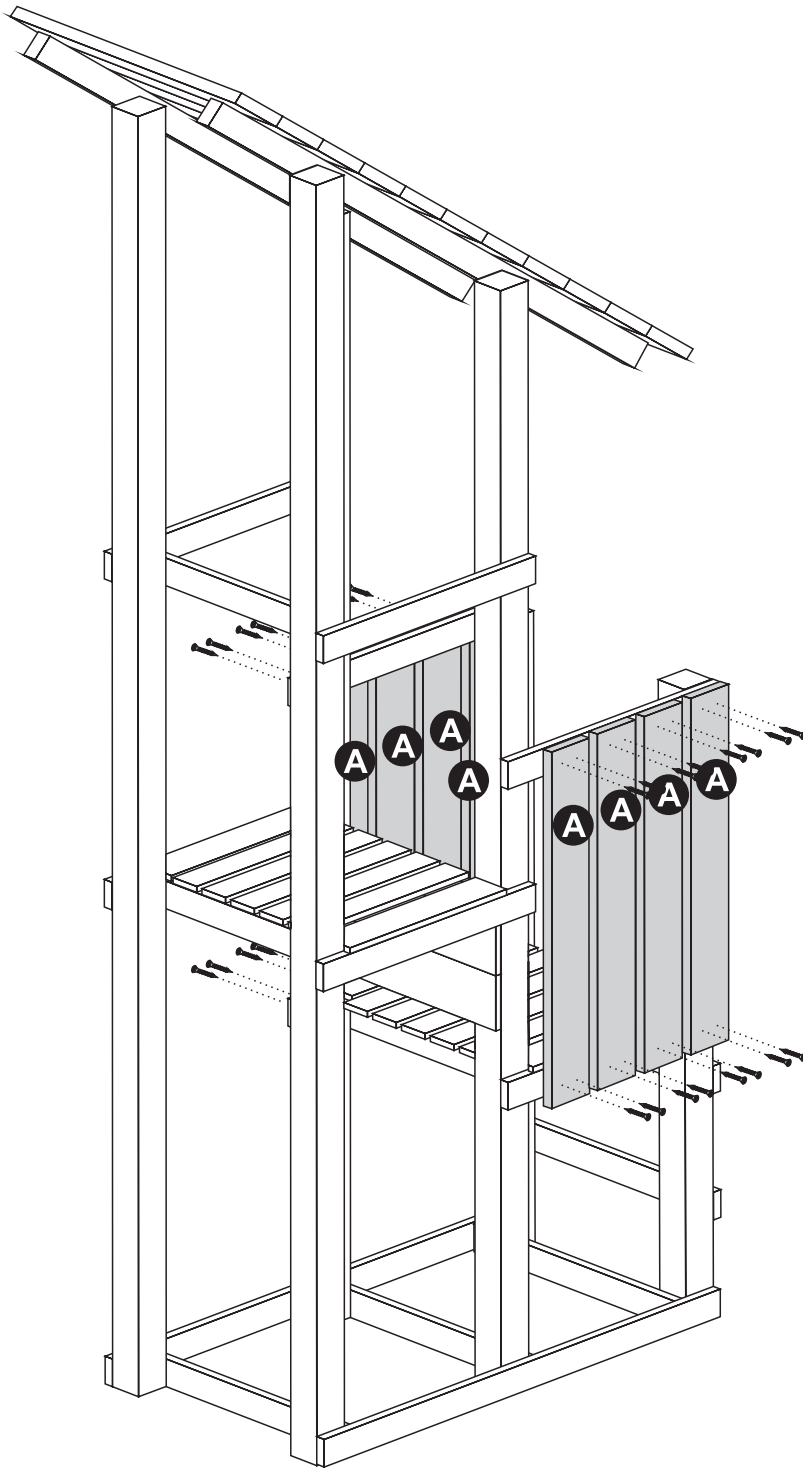
X = X



M x 40

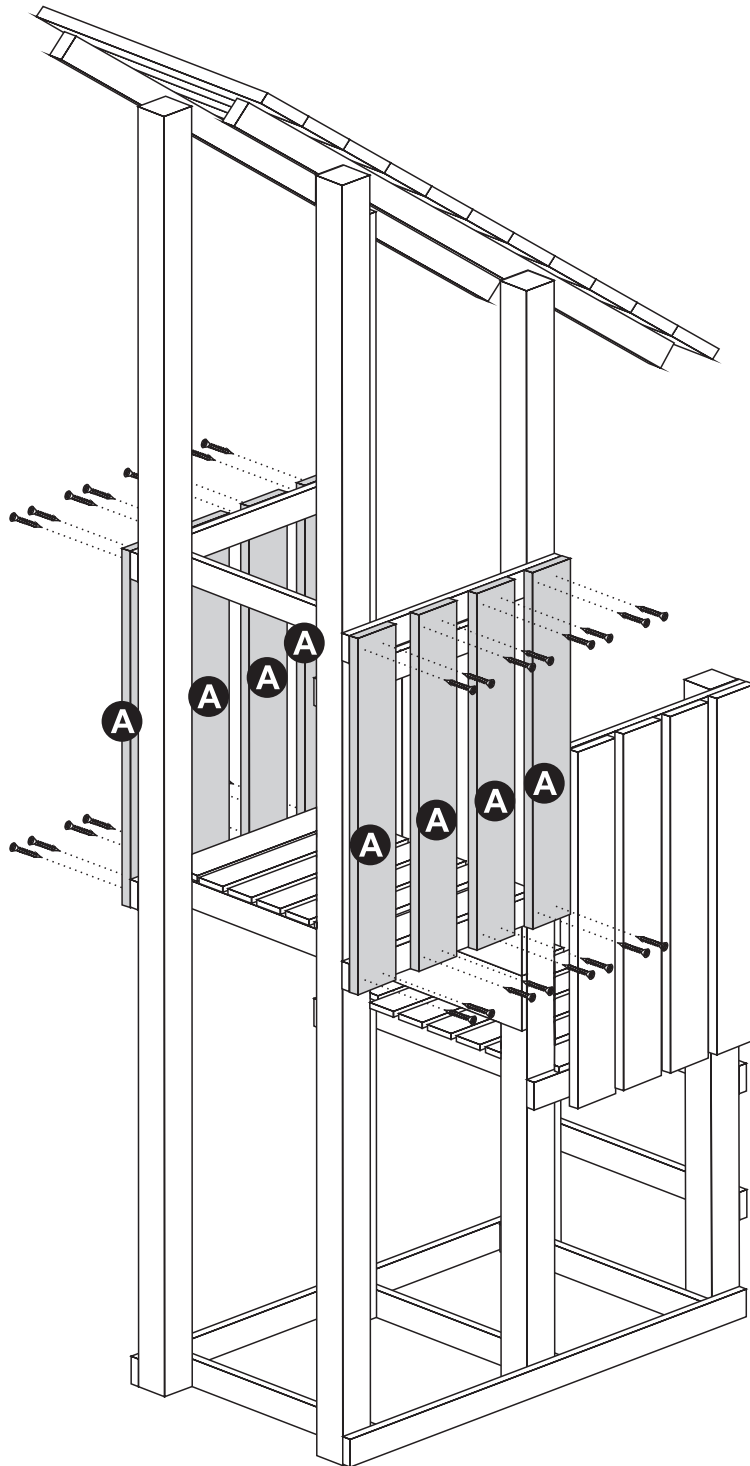
N x 4

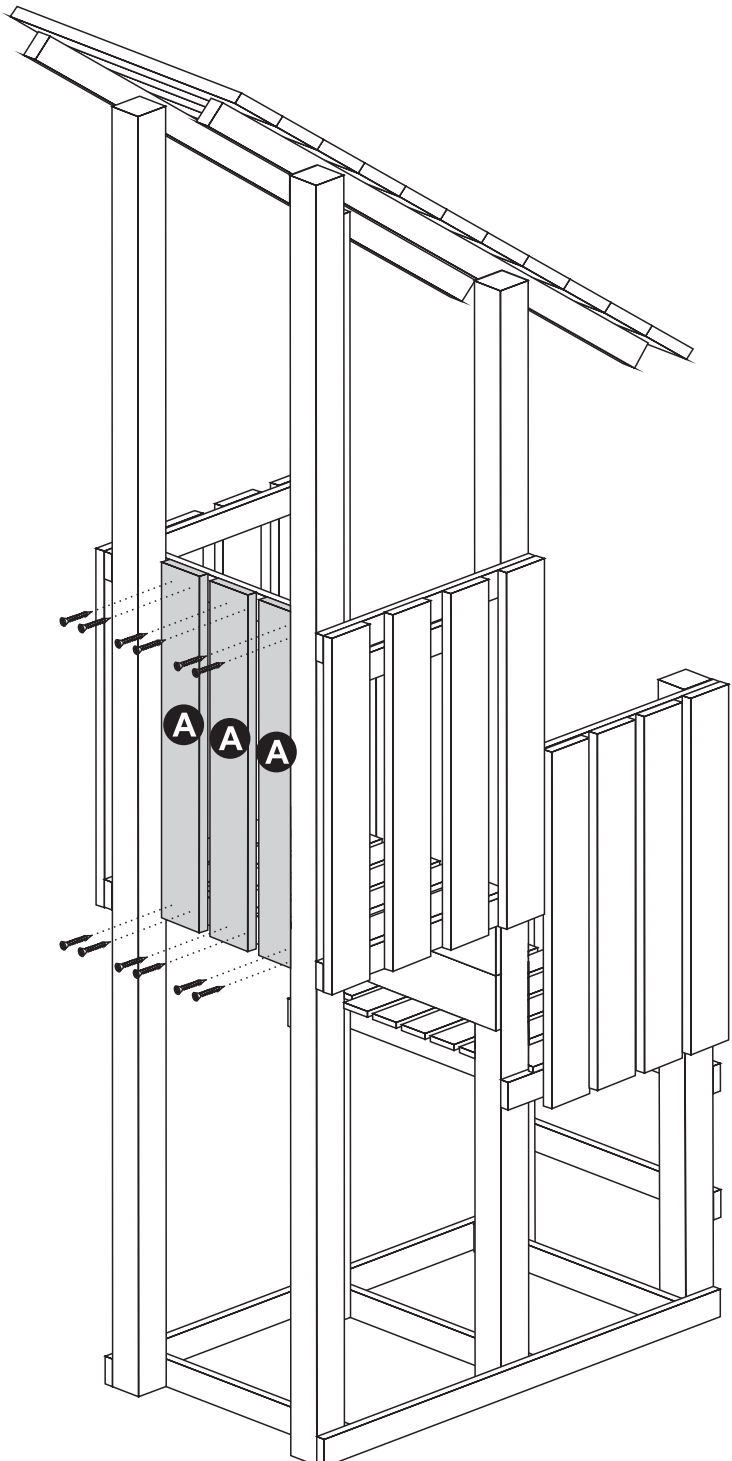




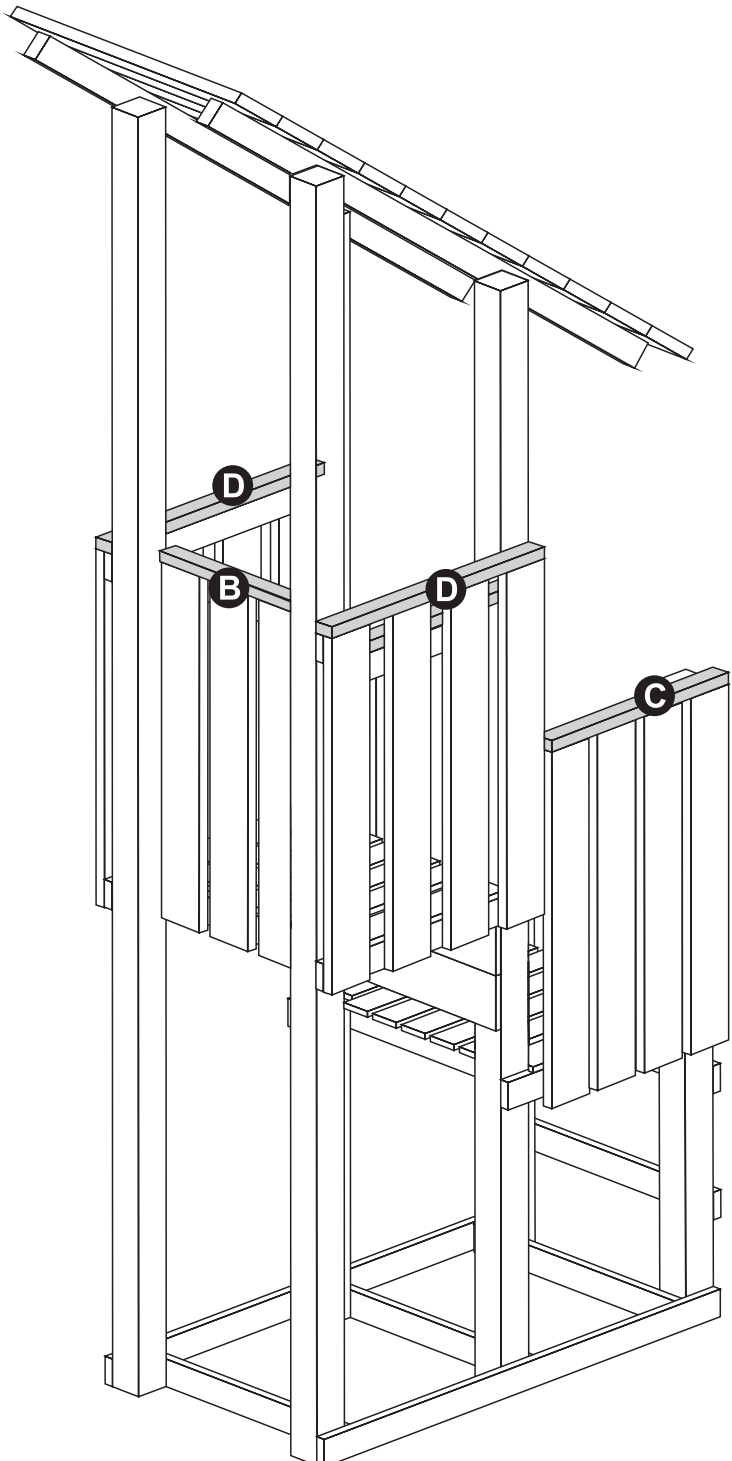
M x 32

M x 32





M x 12



M x 10

Declaration of Conformity:

1. **Article number:** EAN: 8718868713735

2. **Manufacturer:** Prestige-Garden
Stationsstraat 38
3881 AD Putten
The Netherlands

3. **This declaration of conformity is issued under the sole responsibility of the manufacturer:**

Prestige-Garden
Stationsstraat 38
3881 AD Putten
The Netherlands

4. **Object of declaration:** Discovery Playcentre Pirat

5. **References to the relevant harmonised standards used or references to the specifications in relation to which conformity is declared:**

EN71 Part 1:2014
EN71 Part 2:2011 + A1:2014
EN71 Part 3:2013 + A1:2014

6. **Signed for and on Behalf of Prestige-Garden**

Putten, 16th of April 2019

J. de Bruin

A handwritten signature in black ink, appearing to read 'J. de Bruin', with a long horizontal flourish extending to the right.