

# Hot Tub Manual!!

Place the hot tub on a flat surface before filling the tub with water. In first filling the tub might leak a little before the wood swells shut. Please do not make fire in the woodburning oven before the tub is at least 2/3 filled with water. **It is strictly forbidden to heat the oven without any water in the tub !**

While heating the tub it is advised to keep the cover on the tub- This way the waters warms up faster. It takes around 3-5 hours to heat the tub, depending on the type of wood used and season ( takes longer during winter time). Only wood is allowed to heat the tub.

To drain the water, remove the cork from the bottom of the tub. Do not leave the tub without water for too long.

**Hot tub with external heater-** The oven should be 1-2cm lower than the tub!

PS: Before using the tub, please check the pipes and drainage- these might get loose with transport.

**NB: If the heater has been used wrong OR not followed manual instructions the guarantee does not apply and later complaints will not be accepted.**

## **CAUTION!!**

Please do not burn yourself against the oven or chimney.

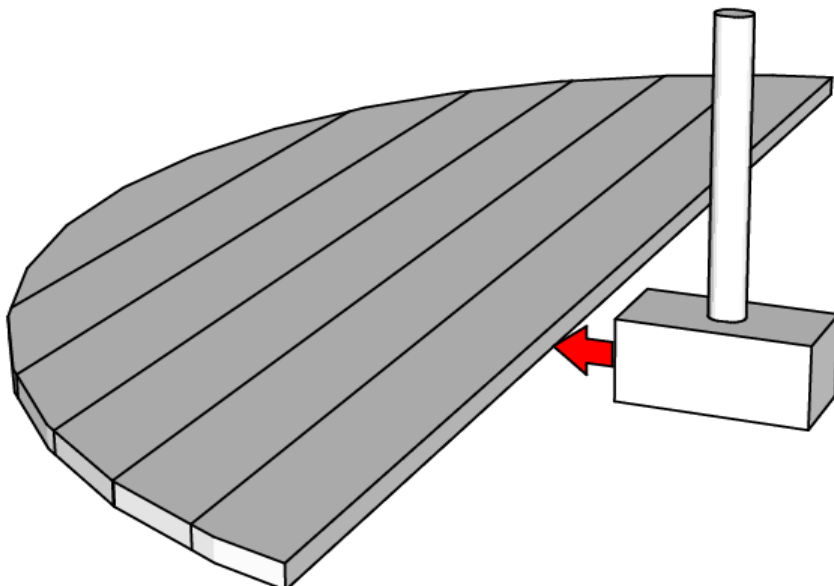
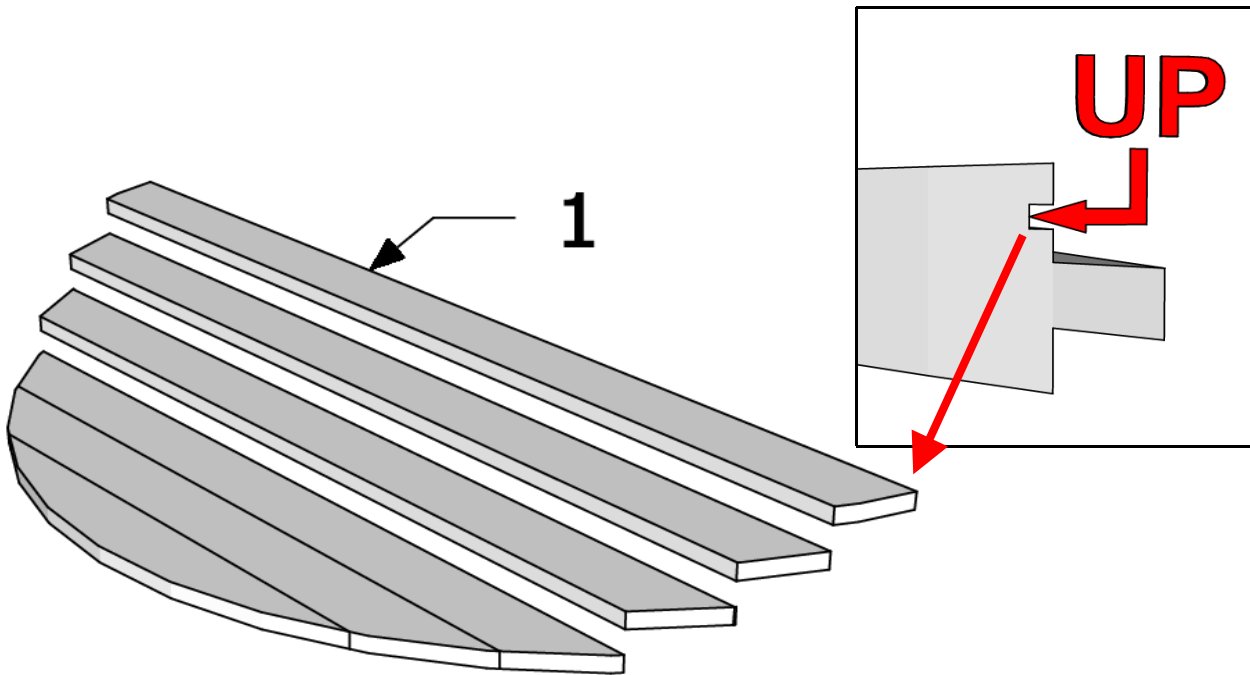
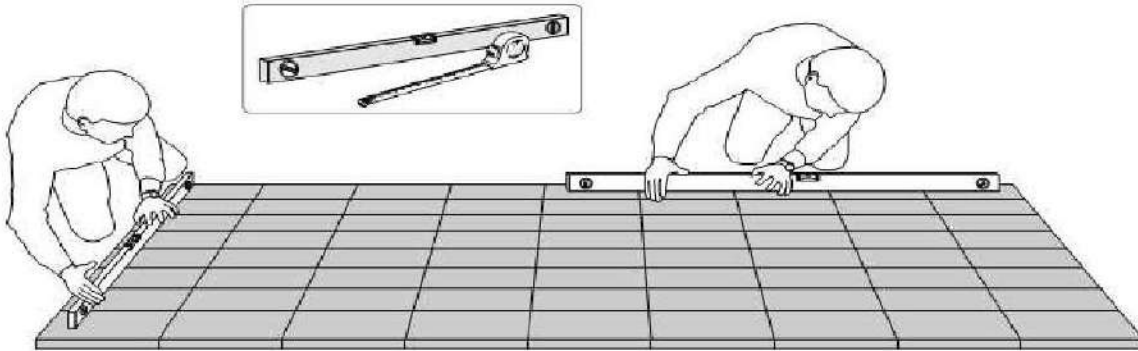
**We wish you a relaxing stay in our tub!!**

# HOT TUBE with internal oven

## Assembly instruction

1/10

**Important !**  
**Wichtig !**



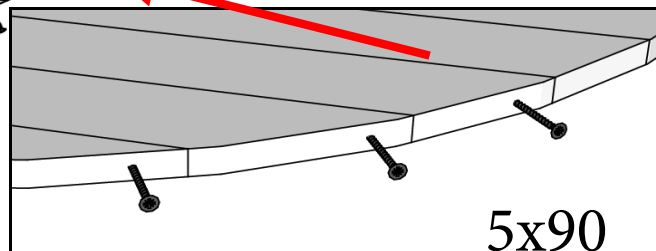
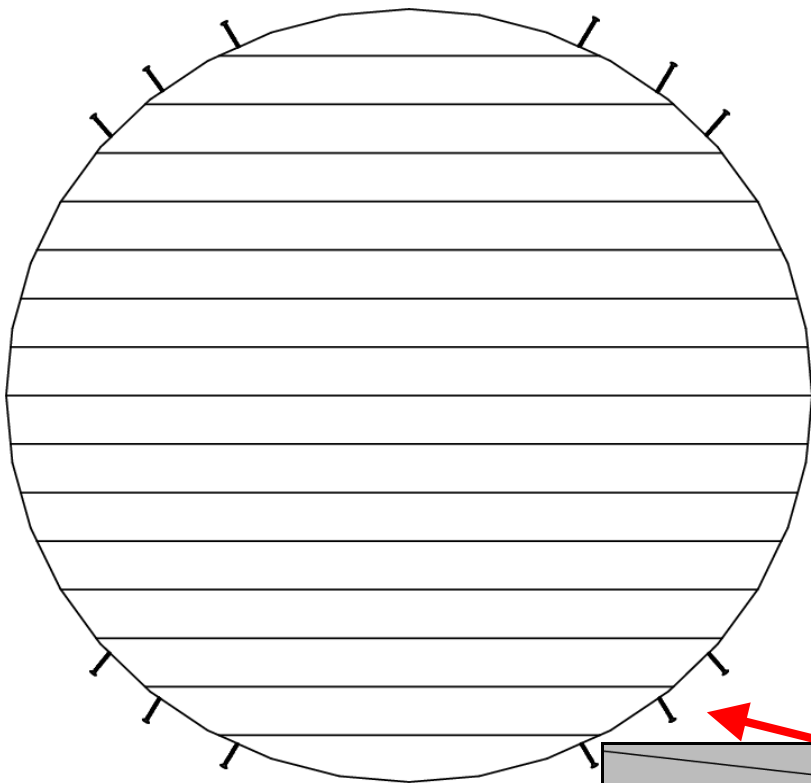
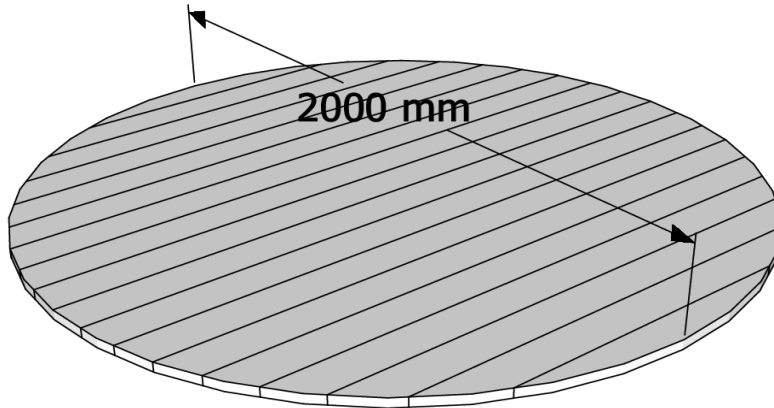
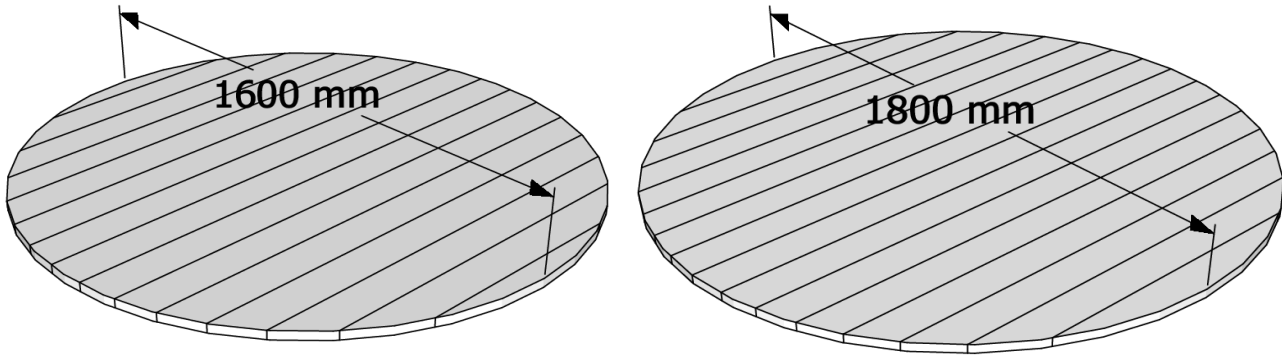
# HOT TUBE with internal oven

Assembly instruction

Check!,

depending on your product

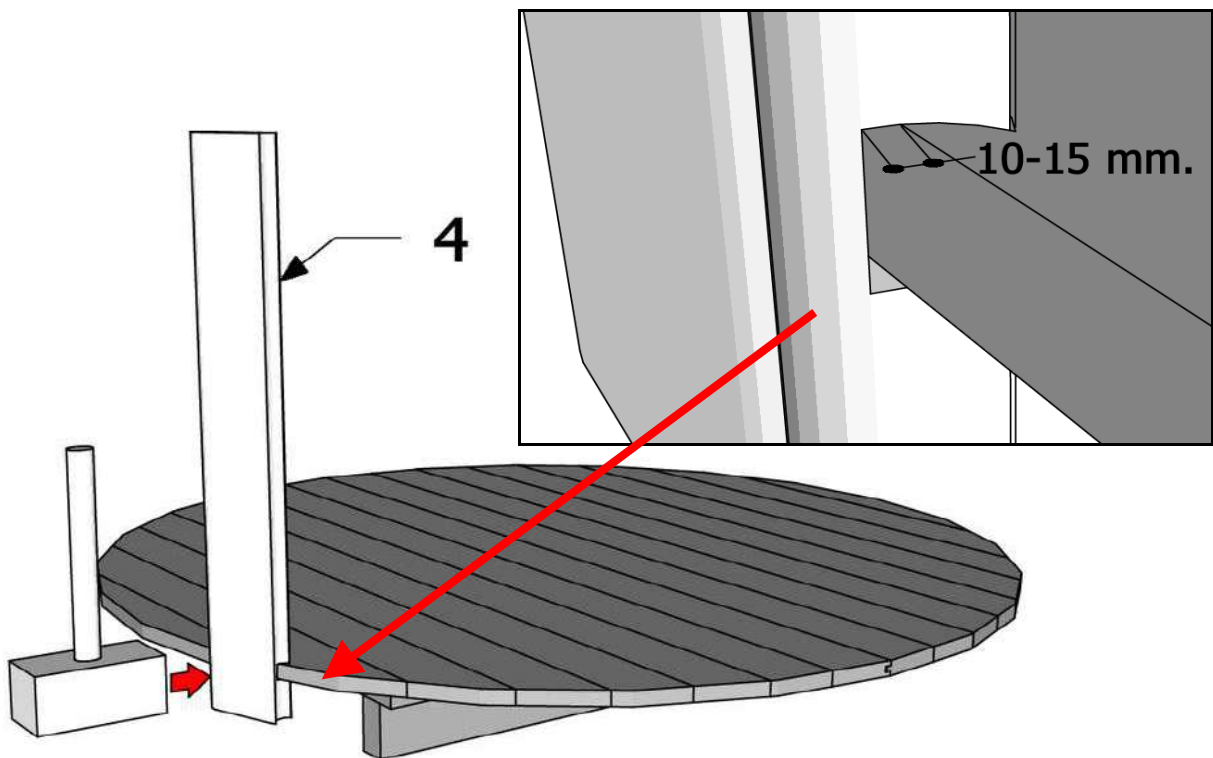
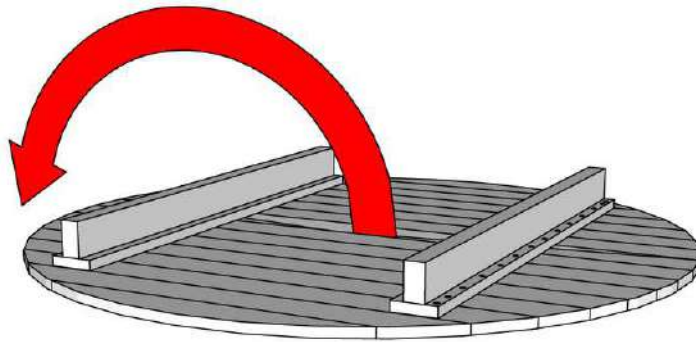
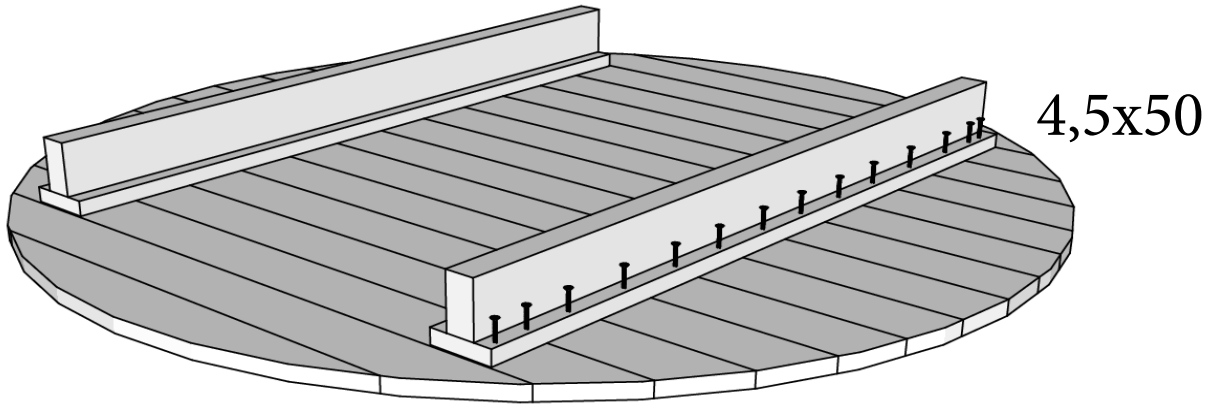
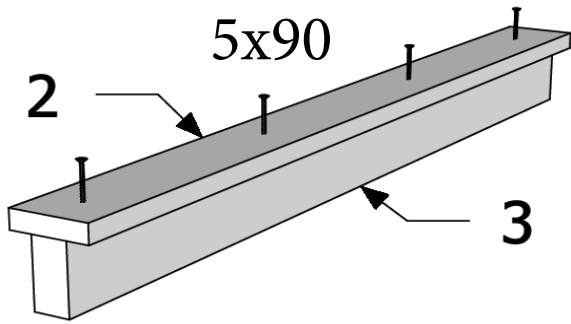
2/10



# HOT TUBE with internal oven

## Assembly instruction

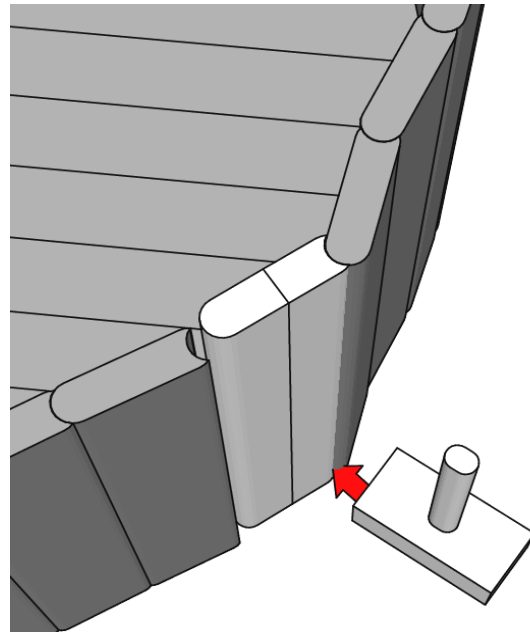
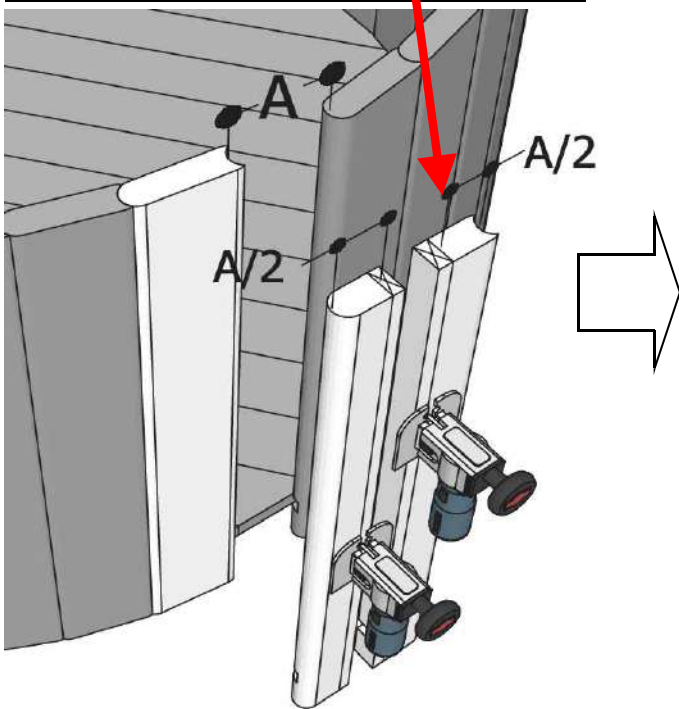
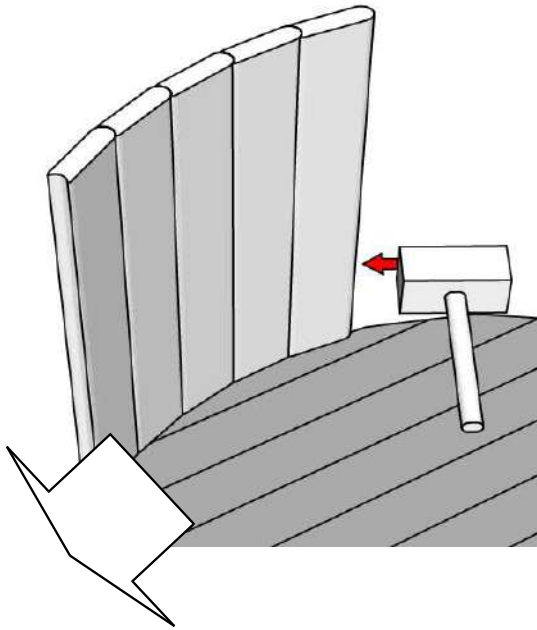
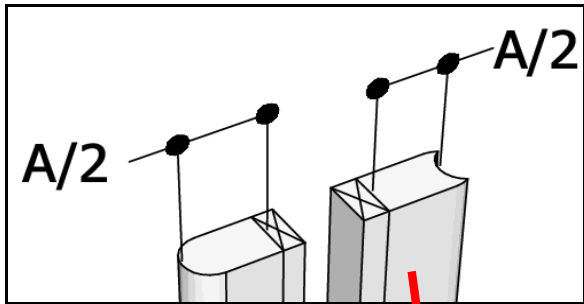
3/10



# HOT TUBE with internal oven

## Assembly instruction

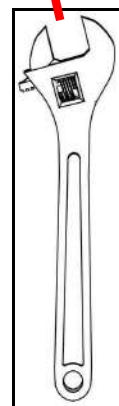
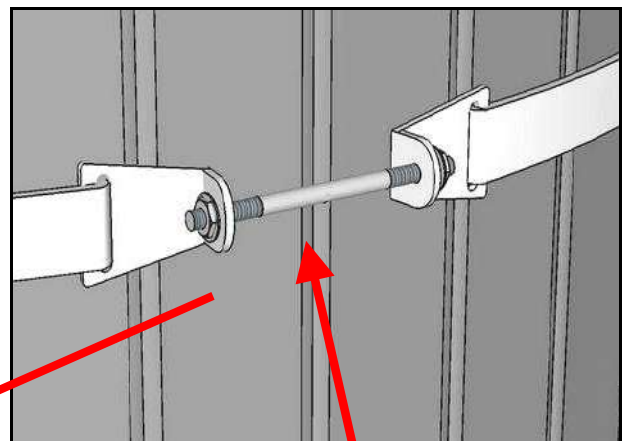
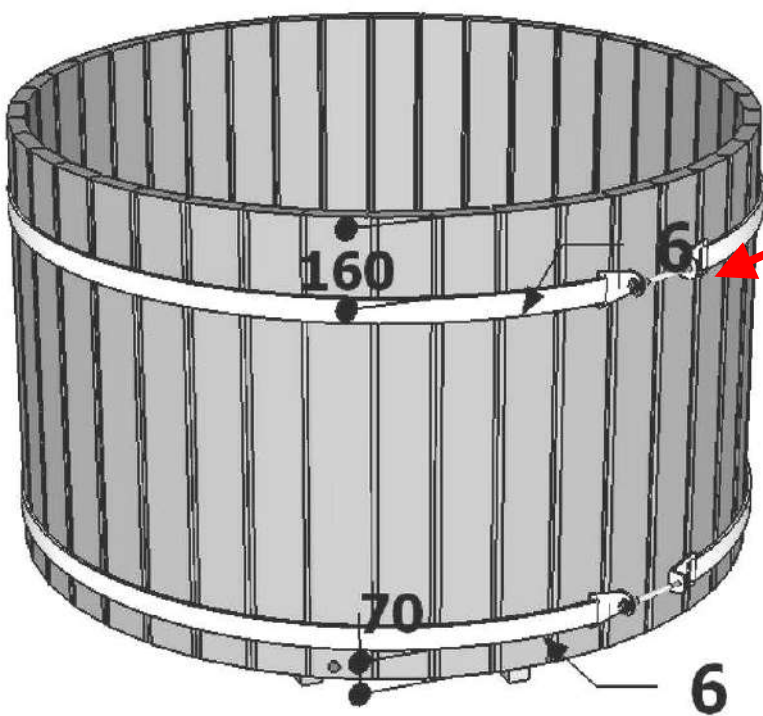
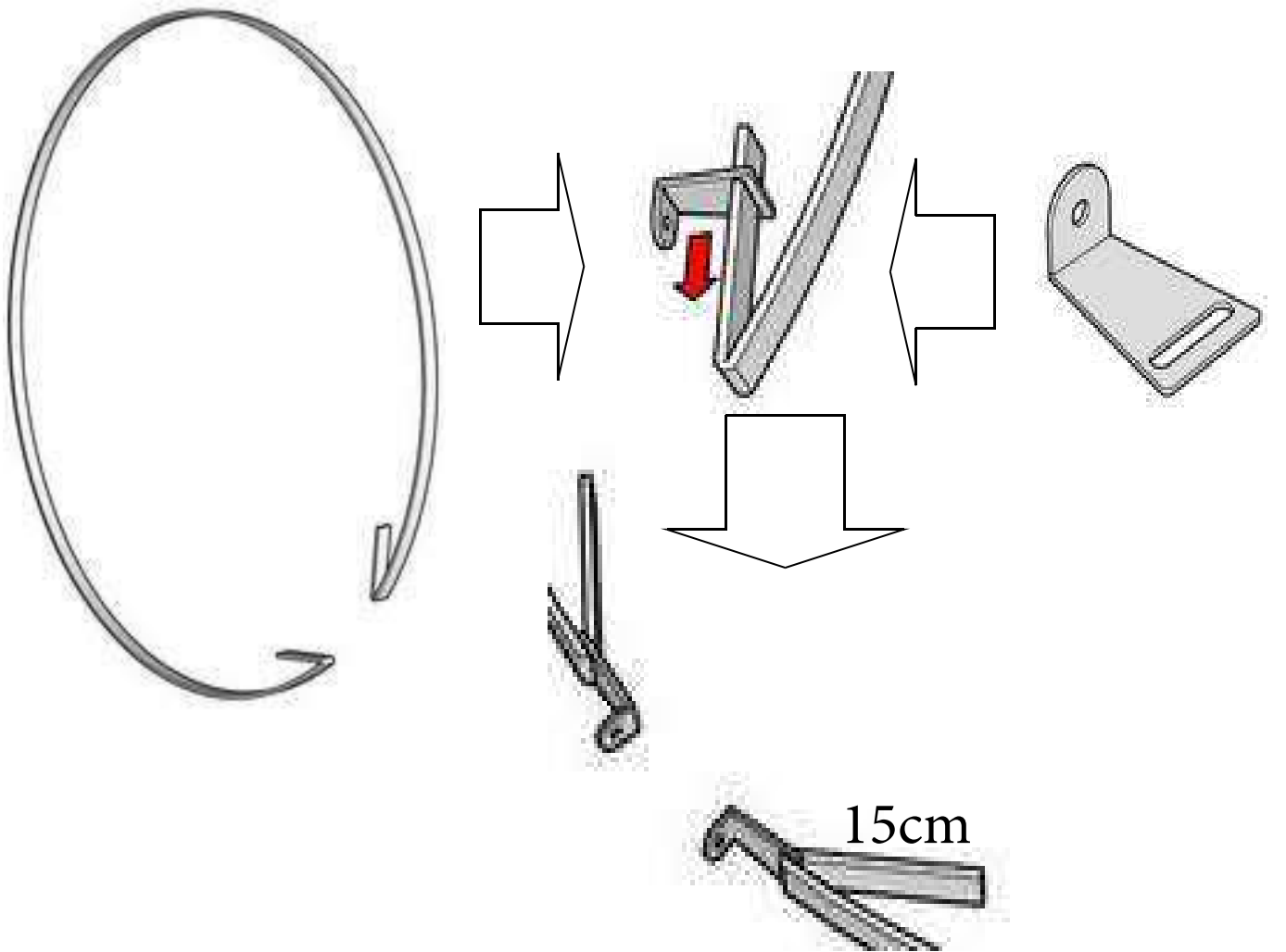
4/10



# HOT TUBE with internal oven

## Assembly instruction

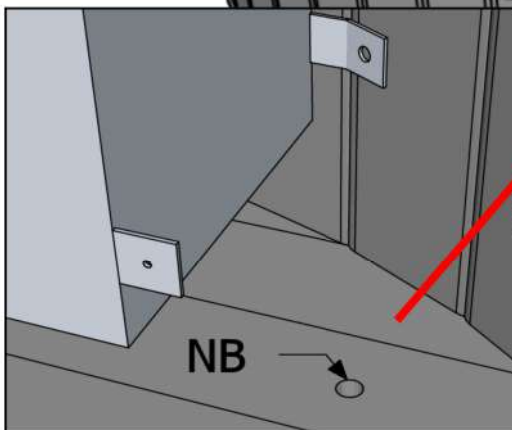
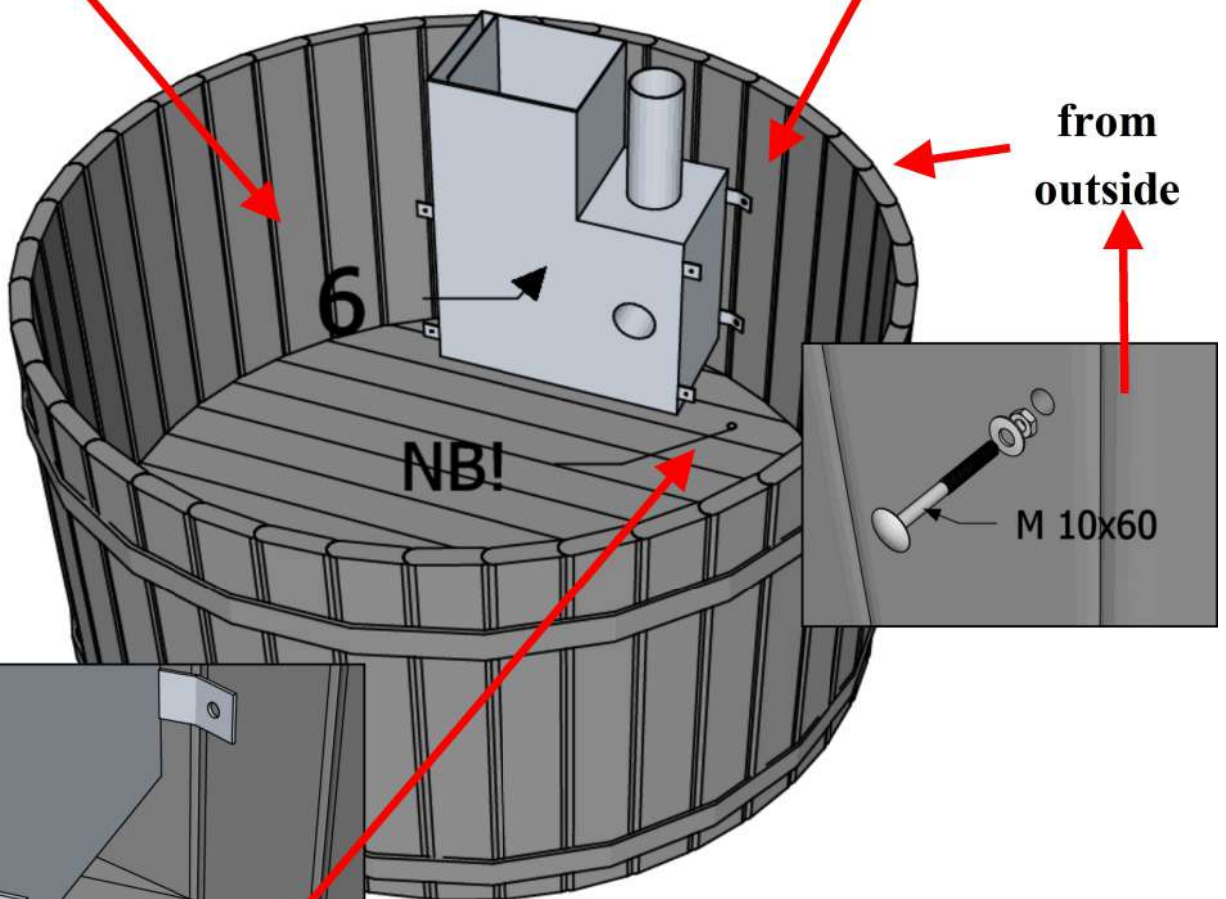
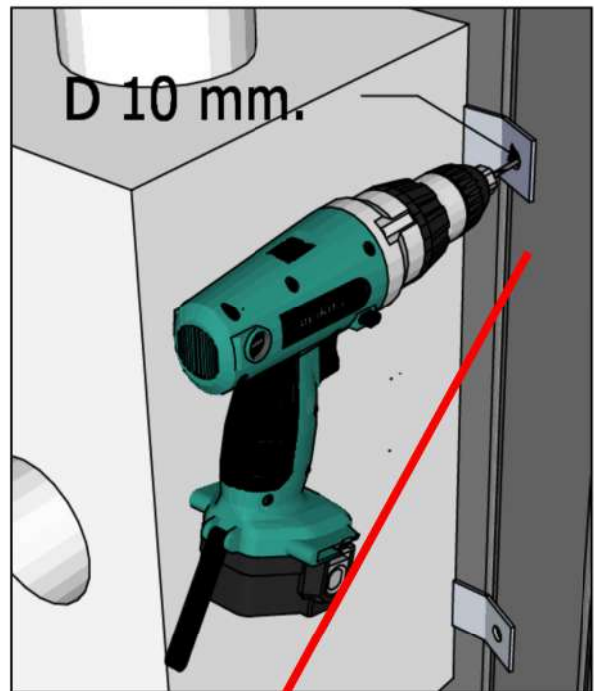
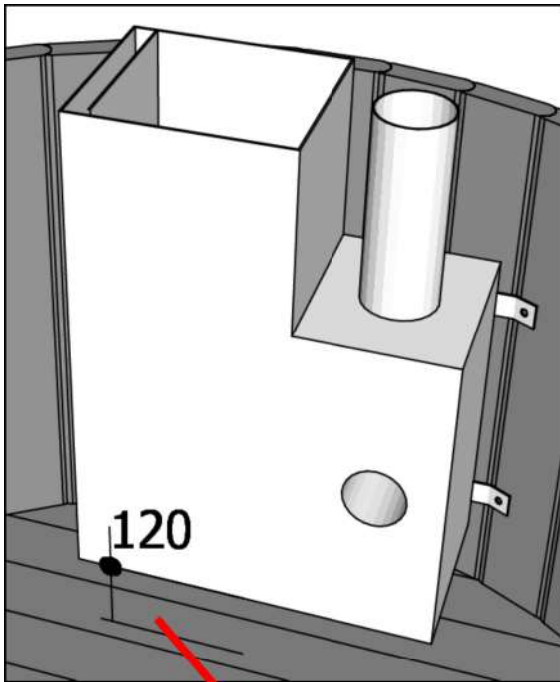
5/10



# HOT TUBE with internal oven

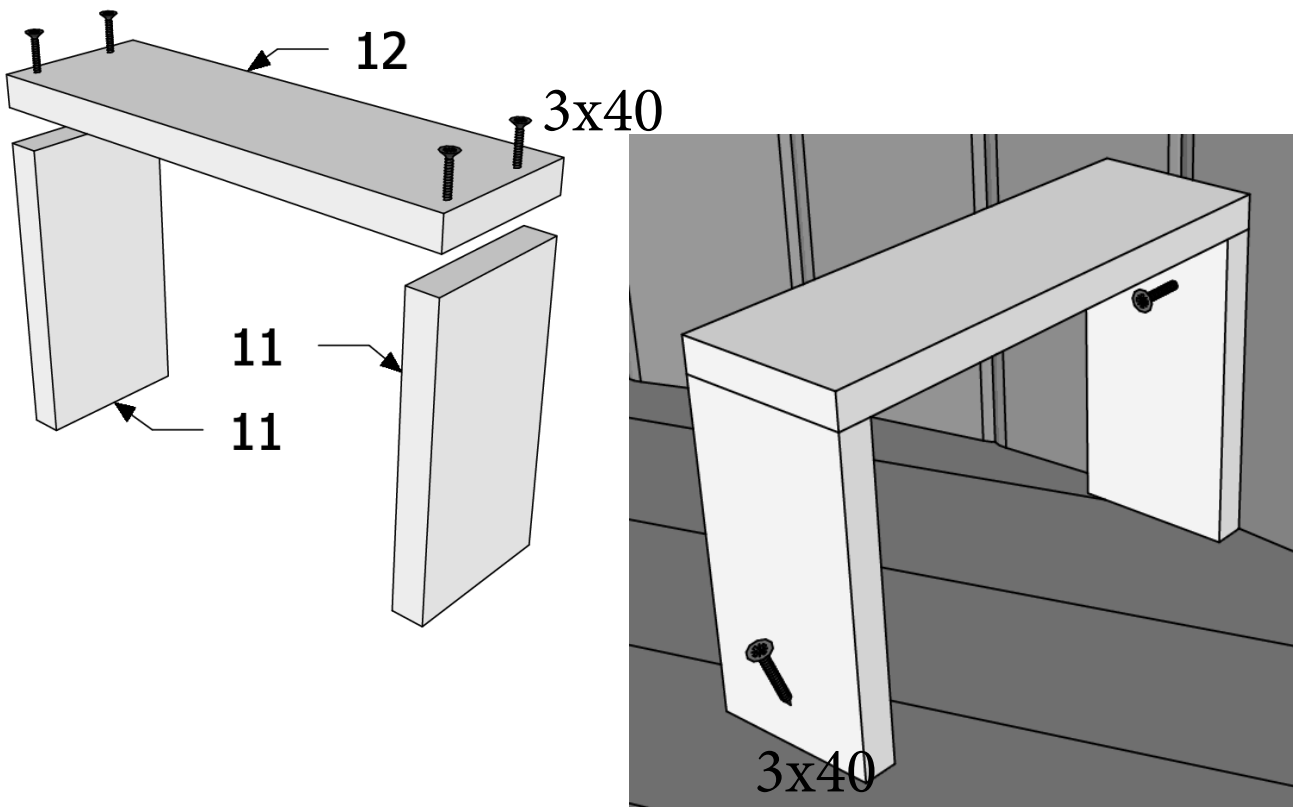
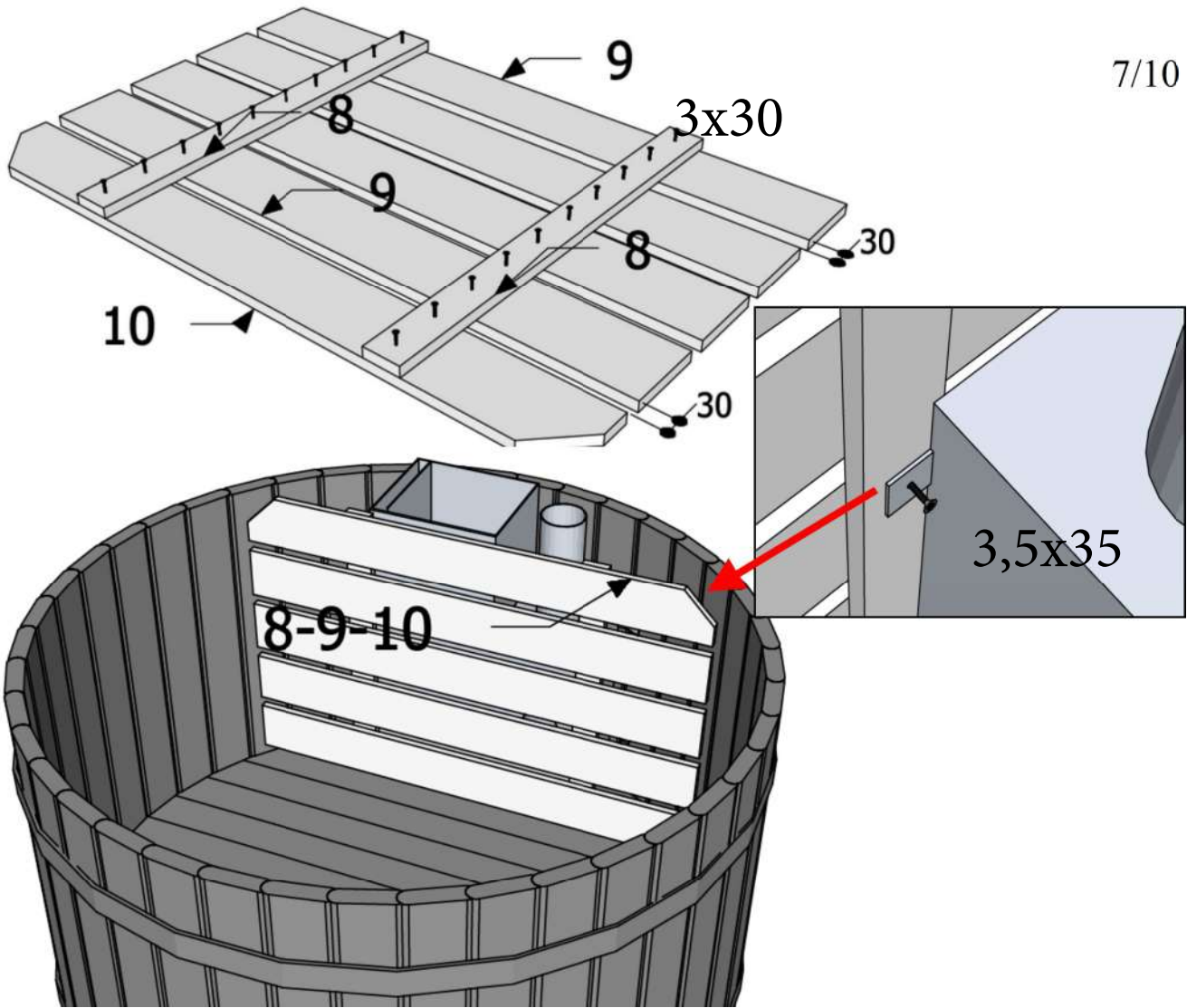
## Assembly instruction

6/10



# HOT TUBE with internal oven

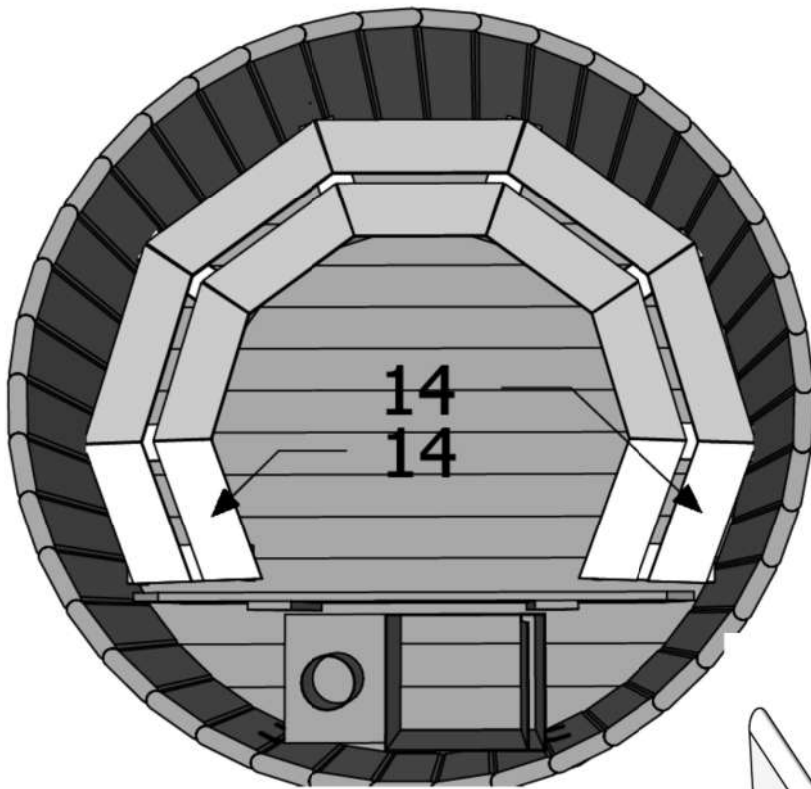
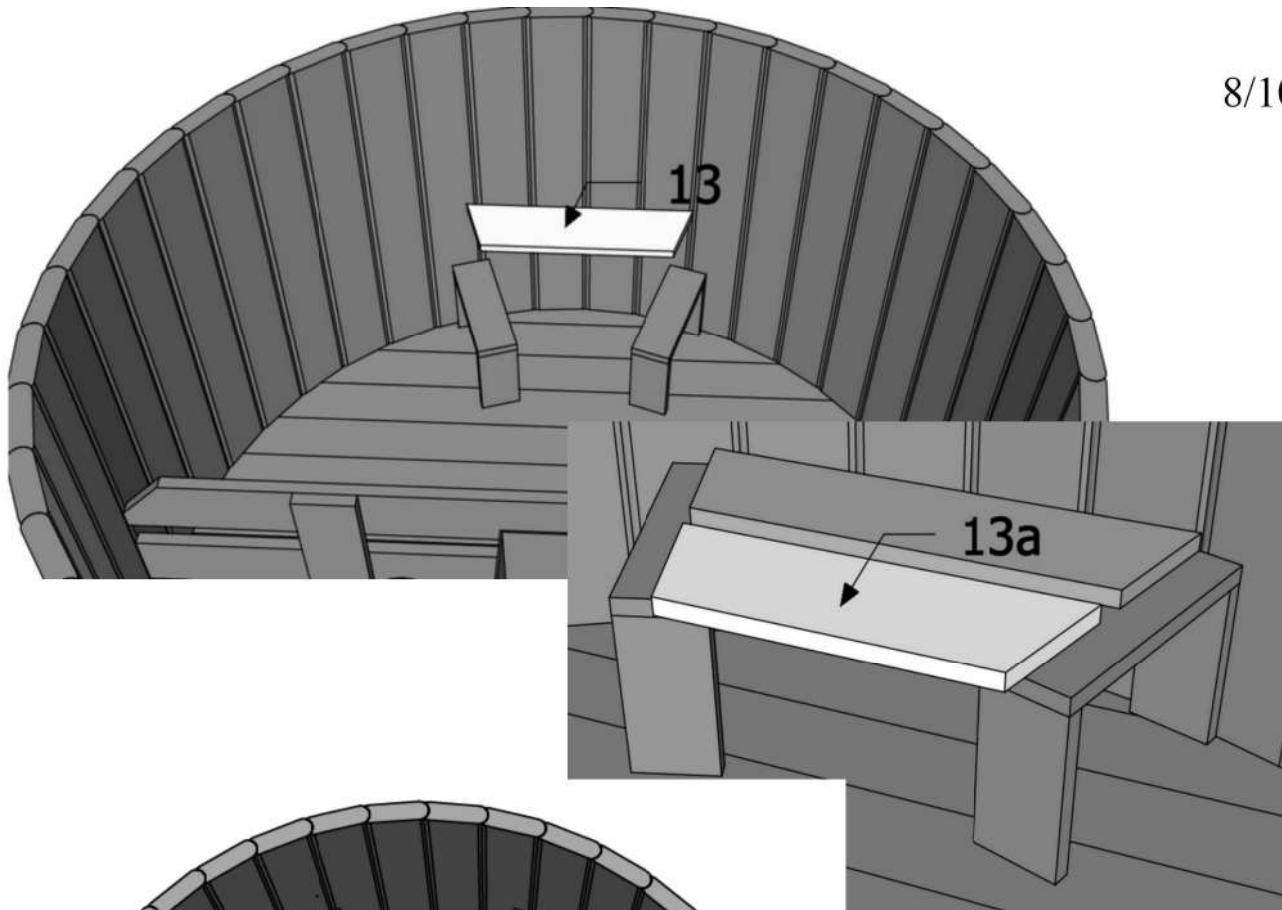
7/10



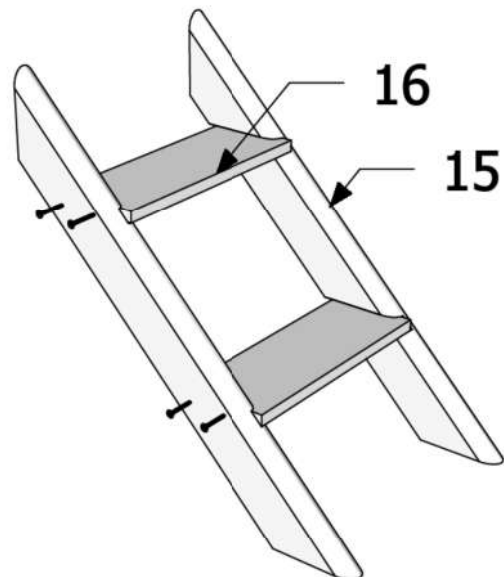


# HOT TUBE with internal oven

8/10



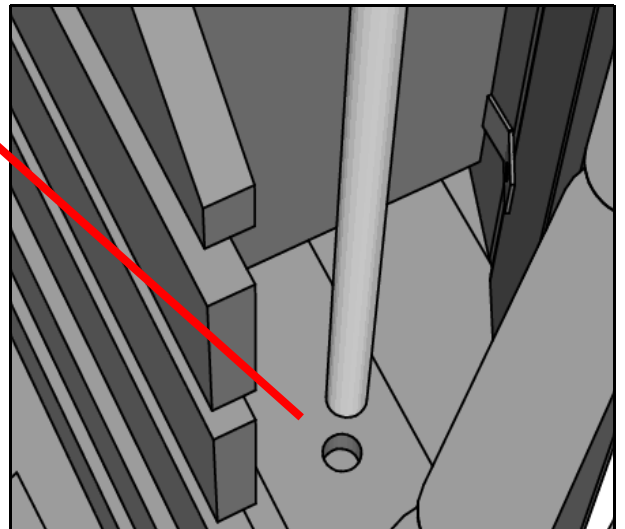
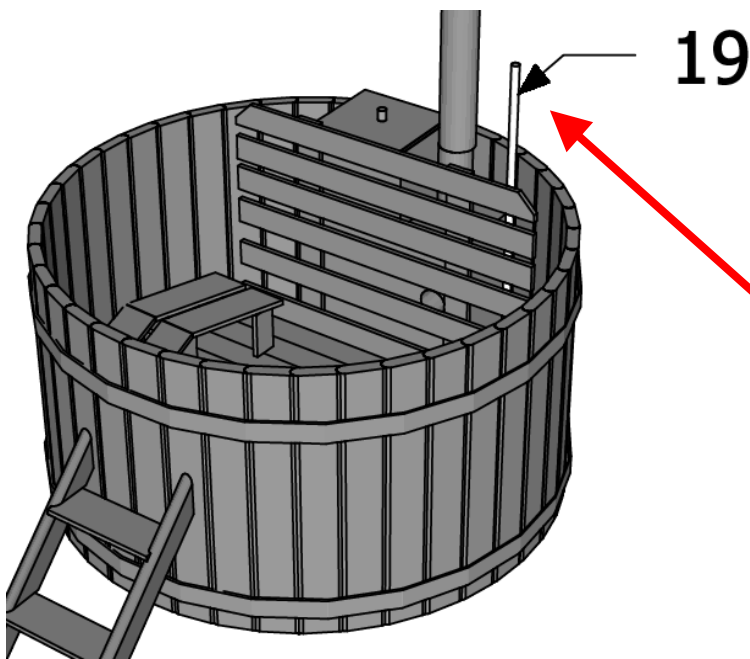
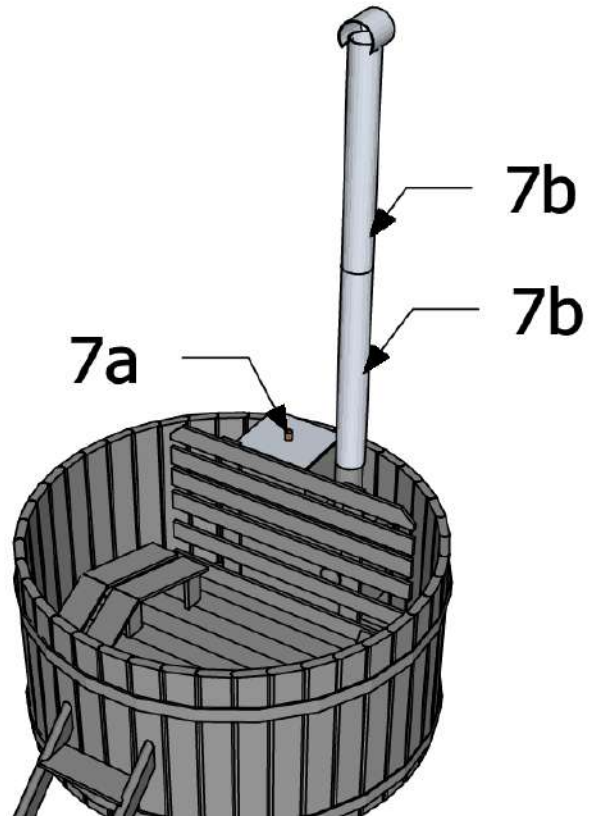
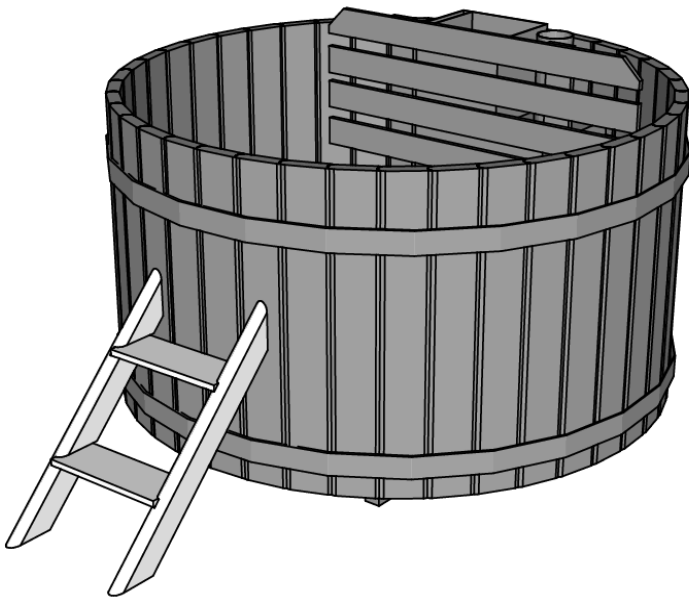
4x60



# HOT TUBE with internal oven

## Assembly instruction

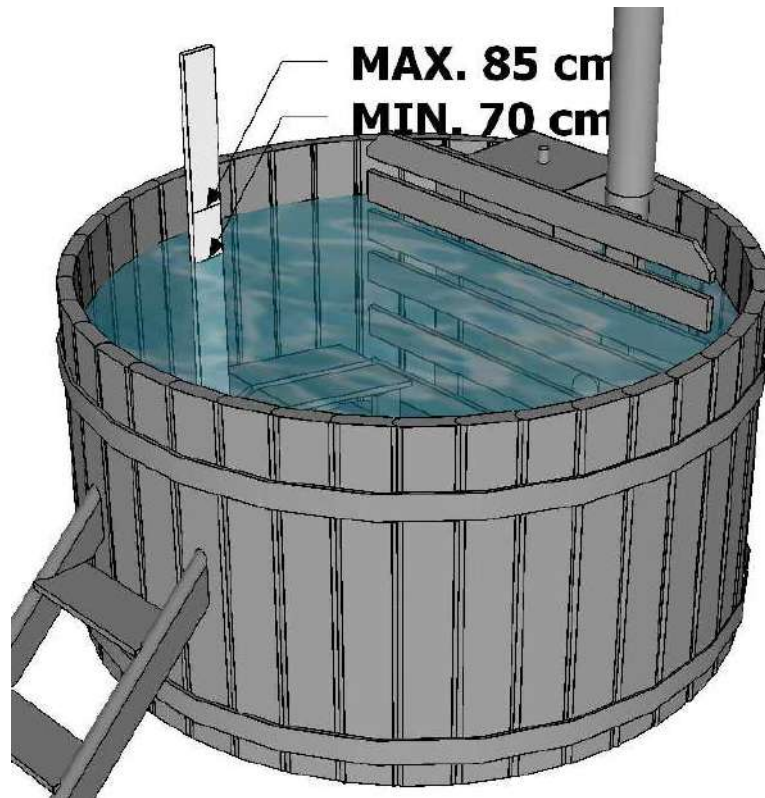
9/10



# **HOT TUBE with internal oven**

## Assembly instruction

10/10

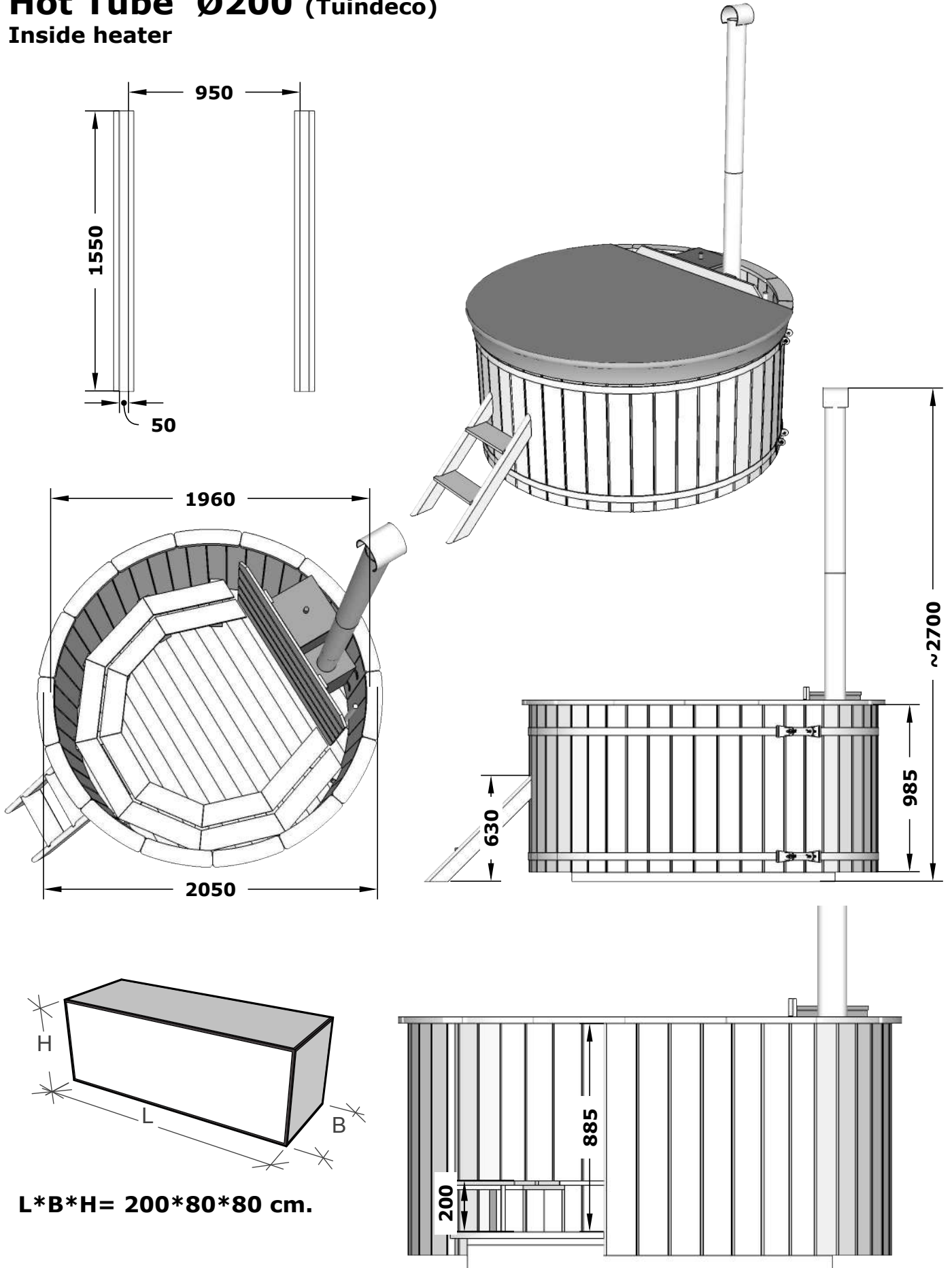


# **ATTENTION !!!**

**Before You fire up the oven, tube MUST  
be filled up with water!**

# Hot Tube Ø200 (Tuindeco)

Inside heater



**L\*B\*H= 200\*80\*80 cm.**

 **200 kg.**