



# ALABAMA STANDARD

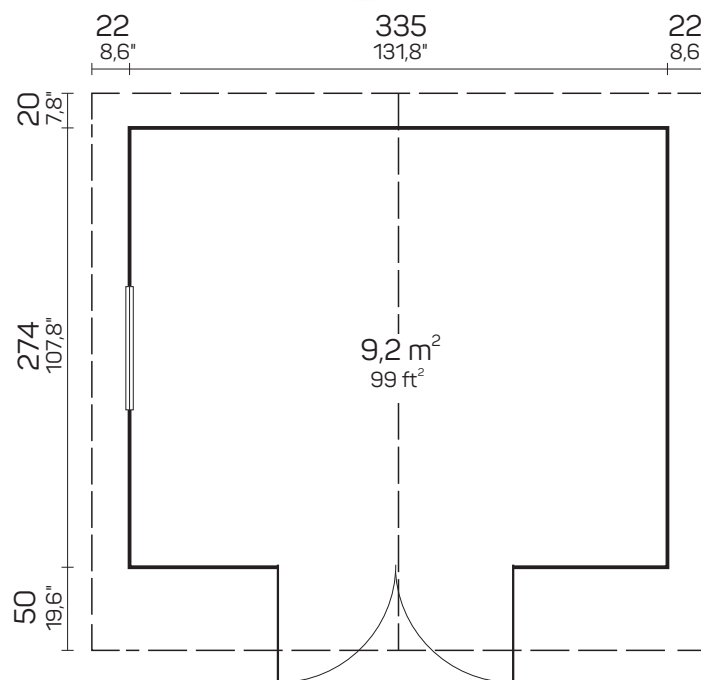
Art 122 081

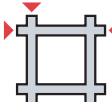

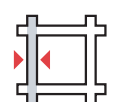
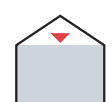
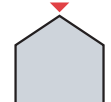

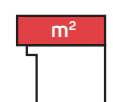
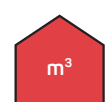
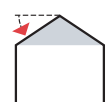
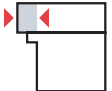

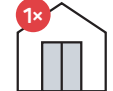

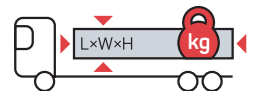
# TENE

 tene\_gardenhouses

 Tene Kaubandus aiamajad

 www.tene.ee



								
355×294 cm 139,7×115,7"	335×274 cm 131,8×107,8"	28 mm 1 1/8"	194 cm 76,3"	245 cm 96,4"	9,2 m <sup>2</sup> 99 ft <sup>2</sup>	13,7 m <sup>2</sup> 147,4 ft <sup>2</sup>	ca. 19,4 m <sup>3</sup> ca. 685,1 ft <sup>3</sup>	17° 17°
								
50 cm 19,6"	18+18 mm 0,7"+0,7"	1425×1835 mm 56,1×72,2"	765×990 mm 30,1×38,9"	392×108×52 cm 154,3"×42,5"×20,4"	ca. 609 kg ca. 1342 lb			