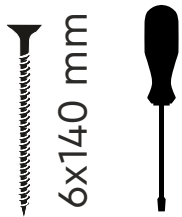


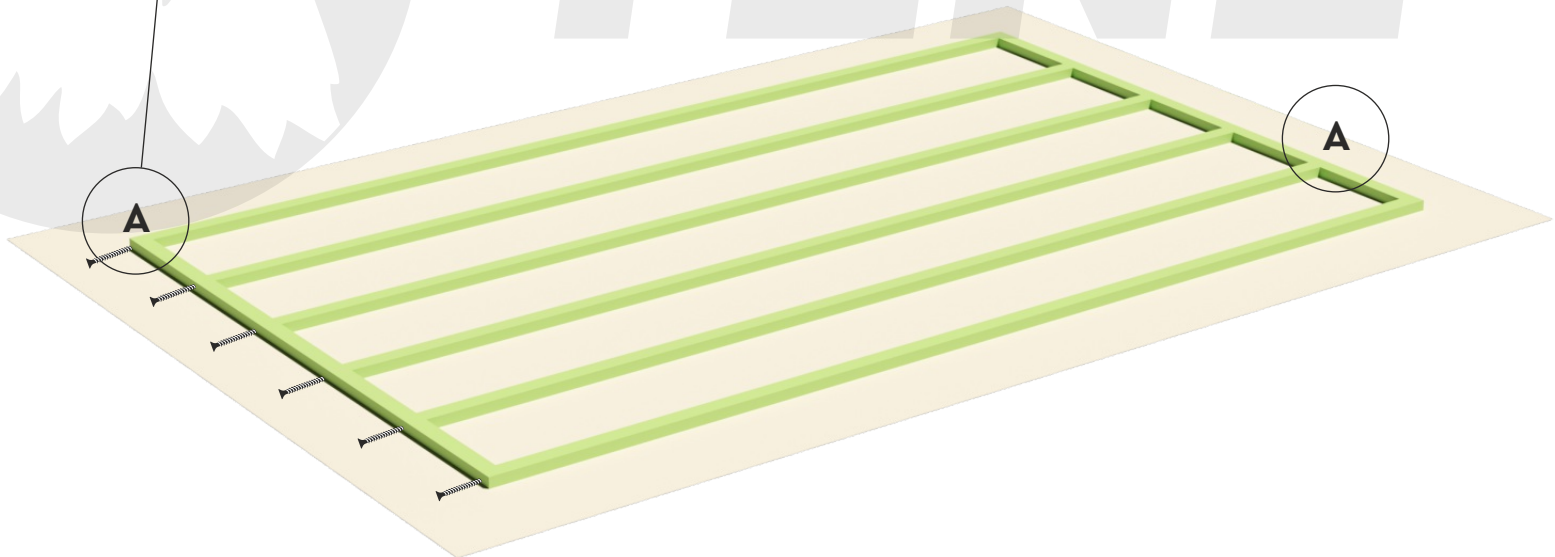
TENE

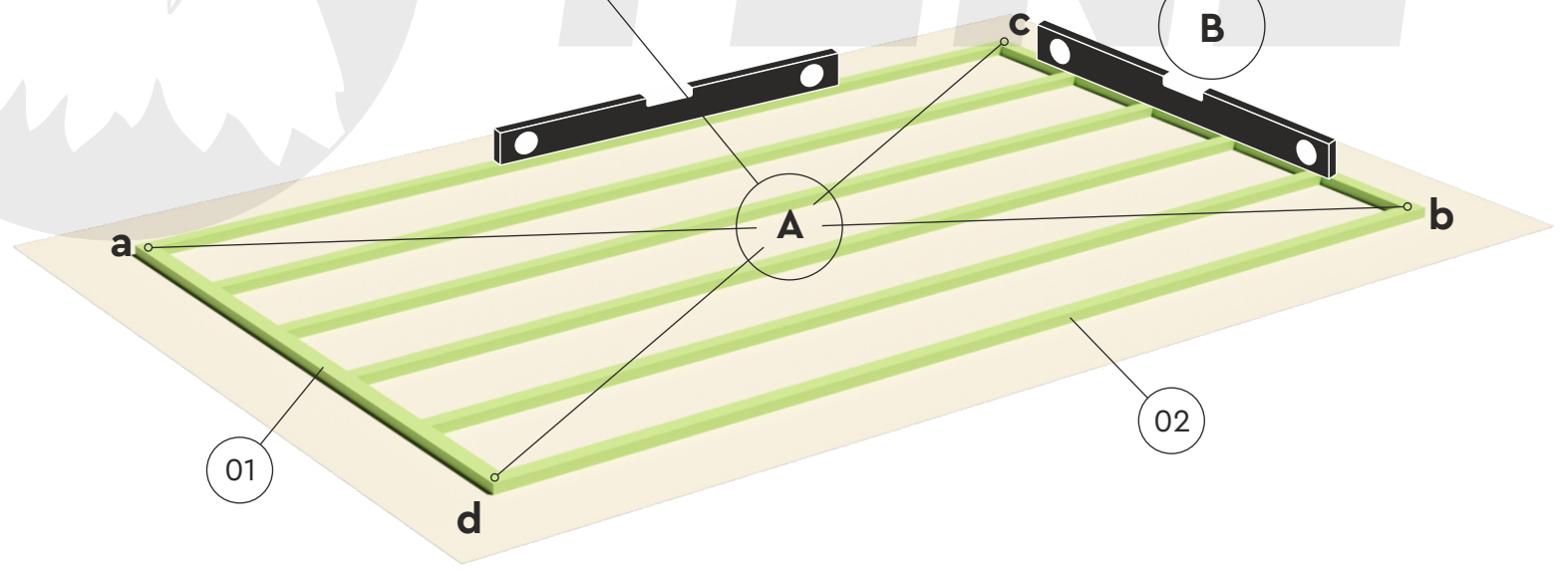
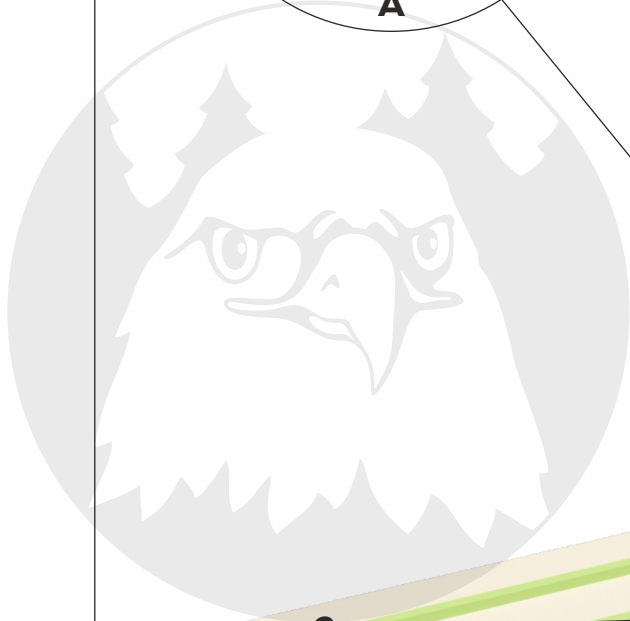
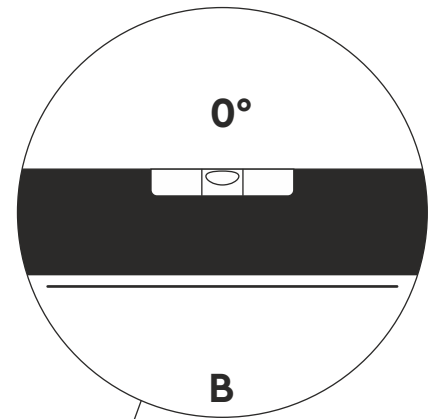
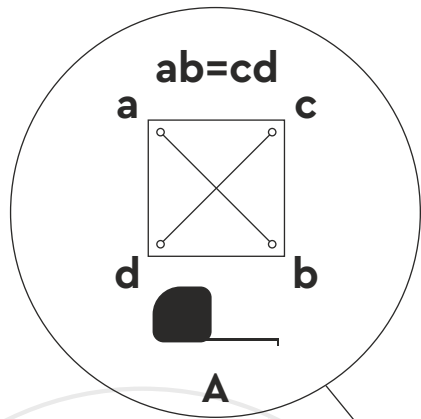


Ø 5 mm

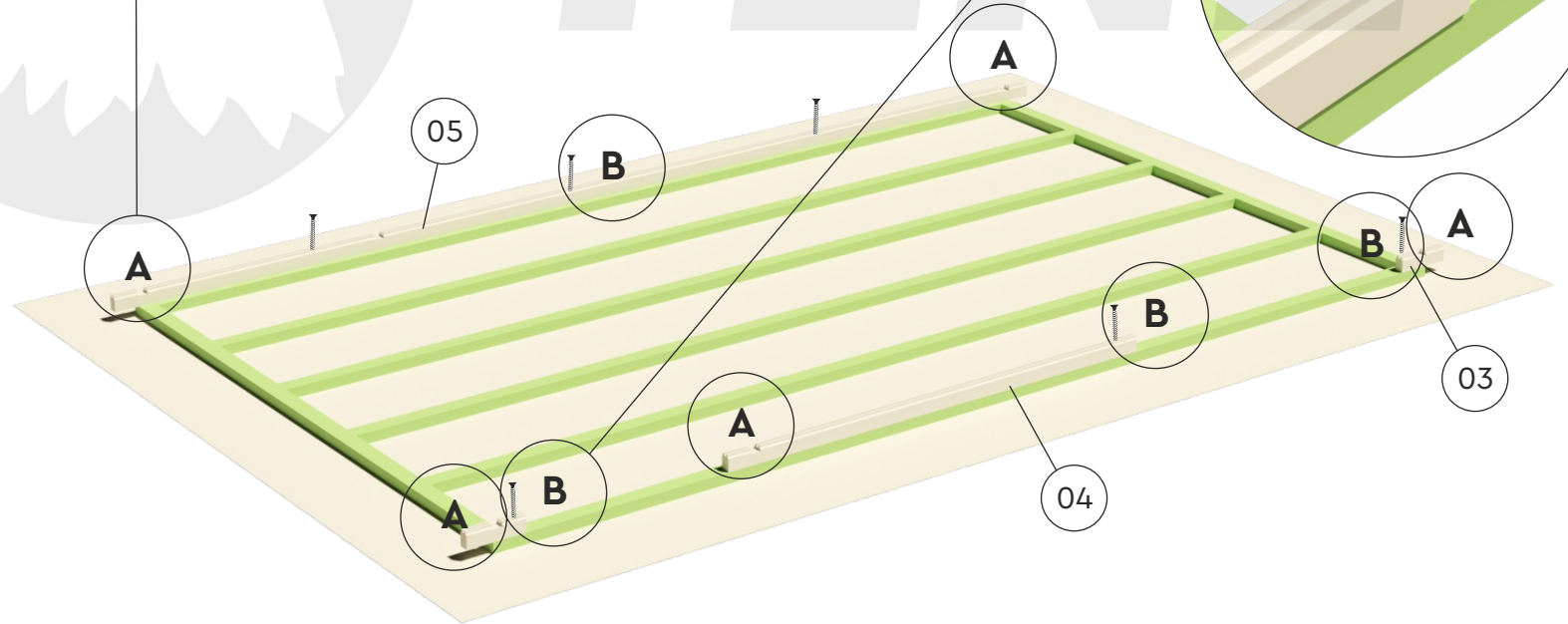
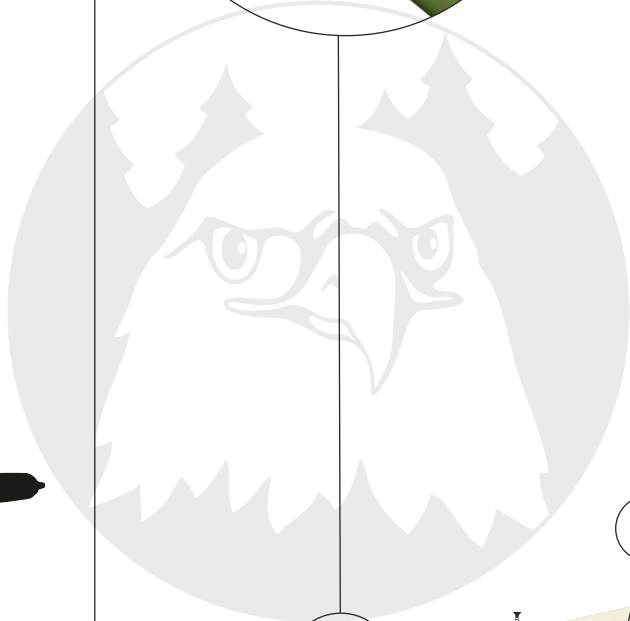
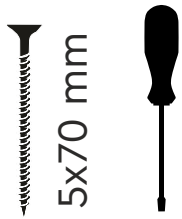
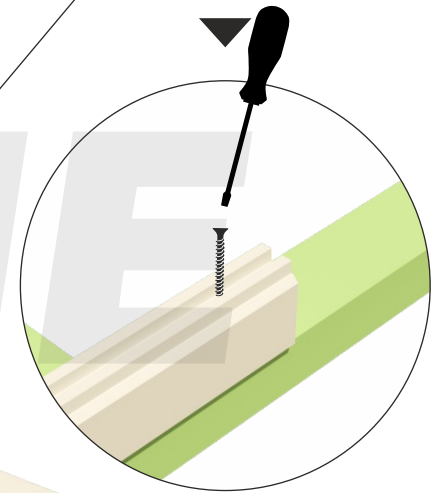
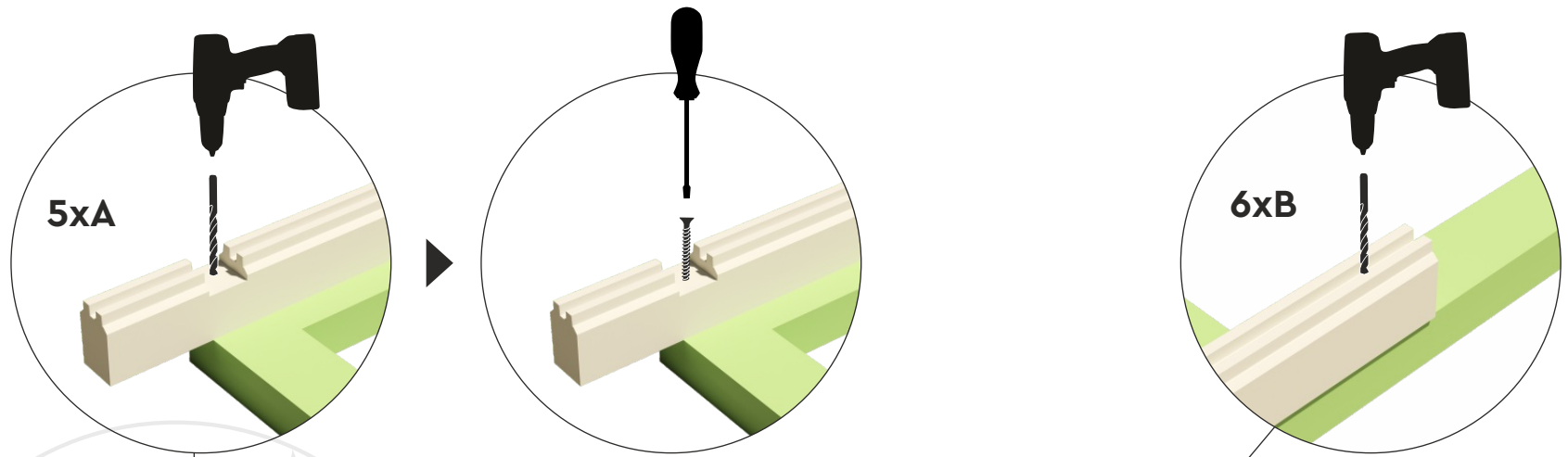


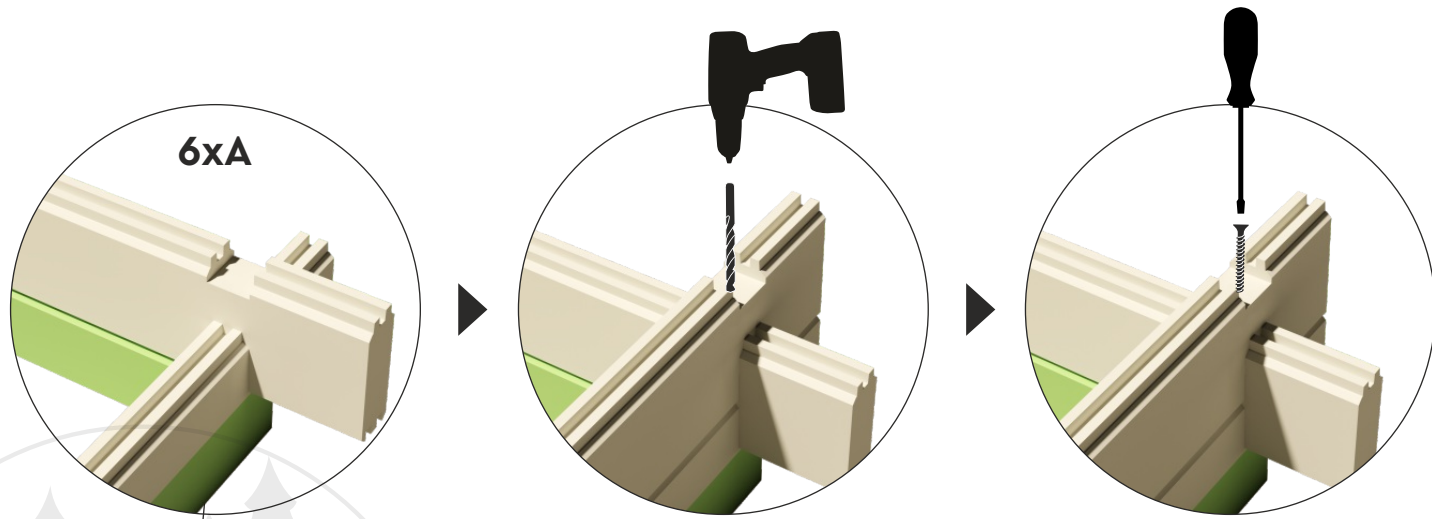
6x140 mm



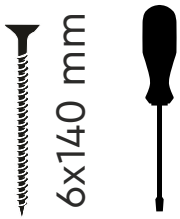


ANDREA 40



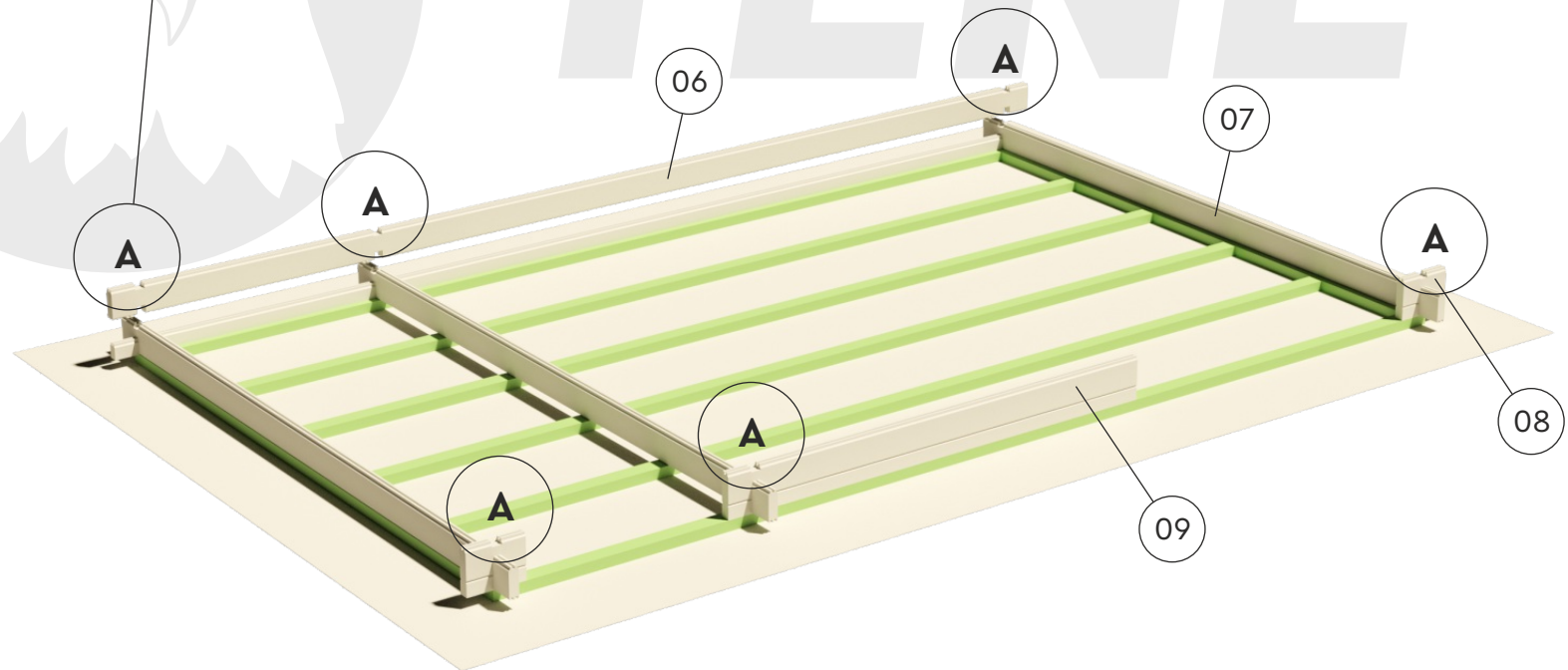


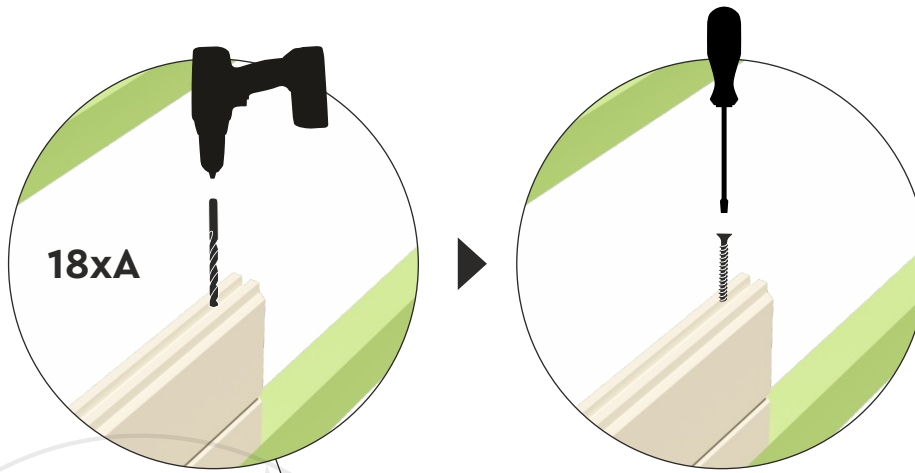
Ø 5 mm



6x140 mm

TENE

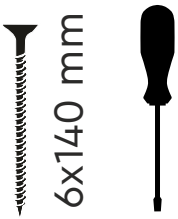




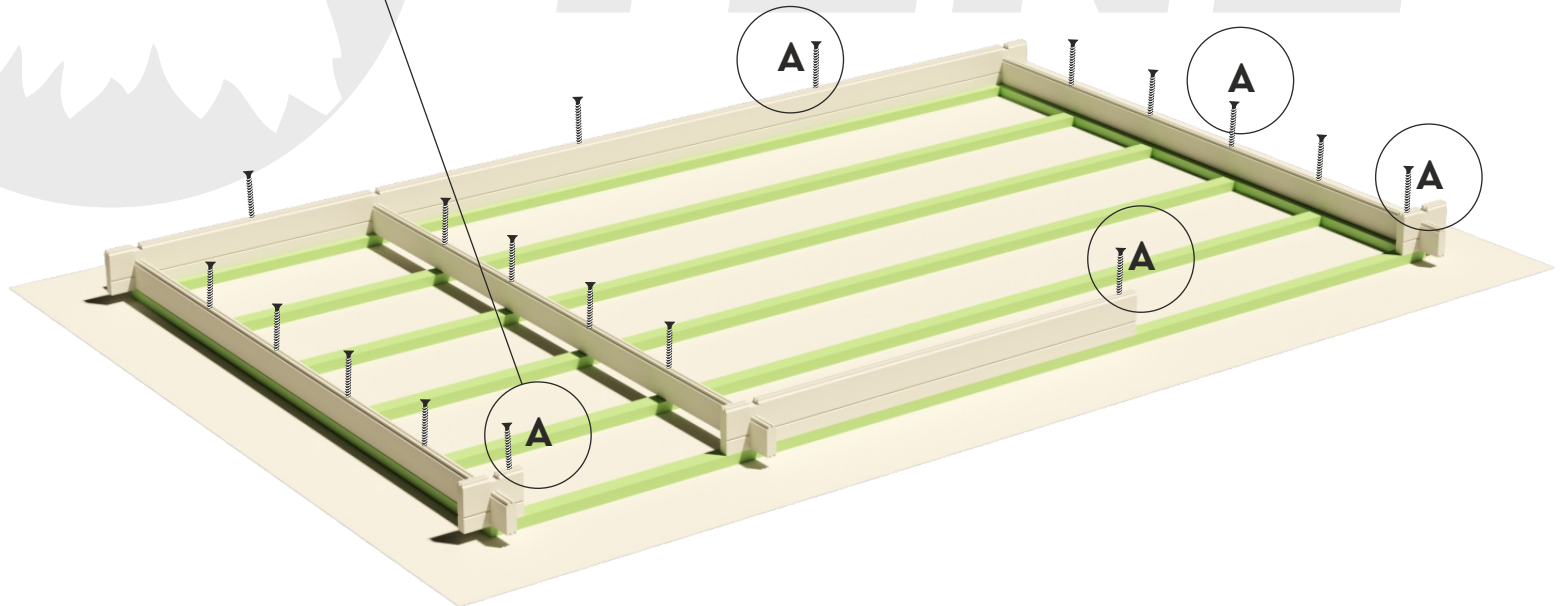
TENE

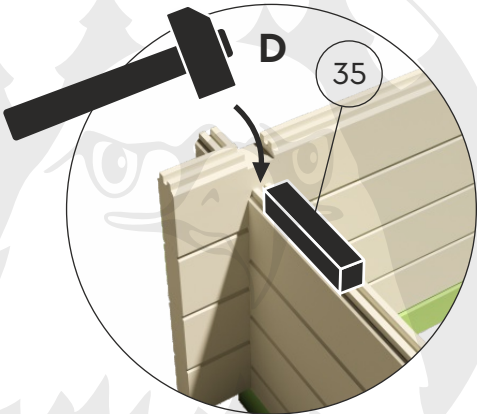
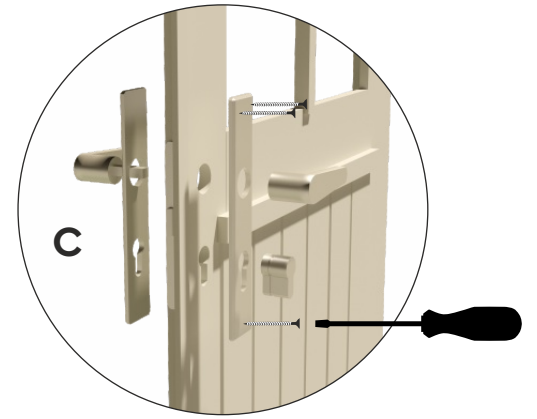
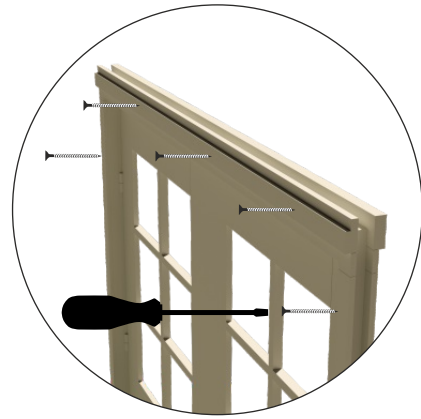
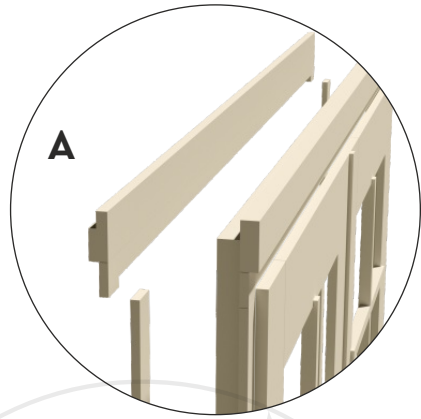


Ø 5 mm



6x140 mm





32

A

33

A

C

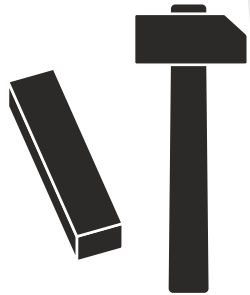
C

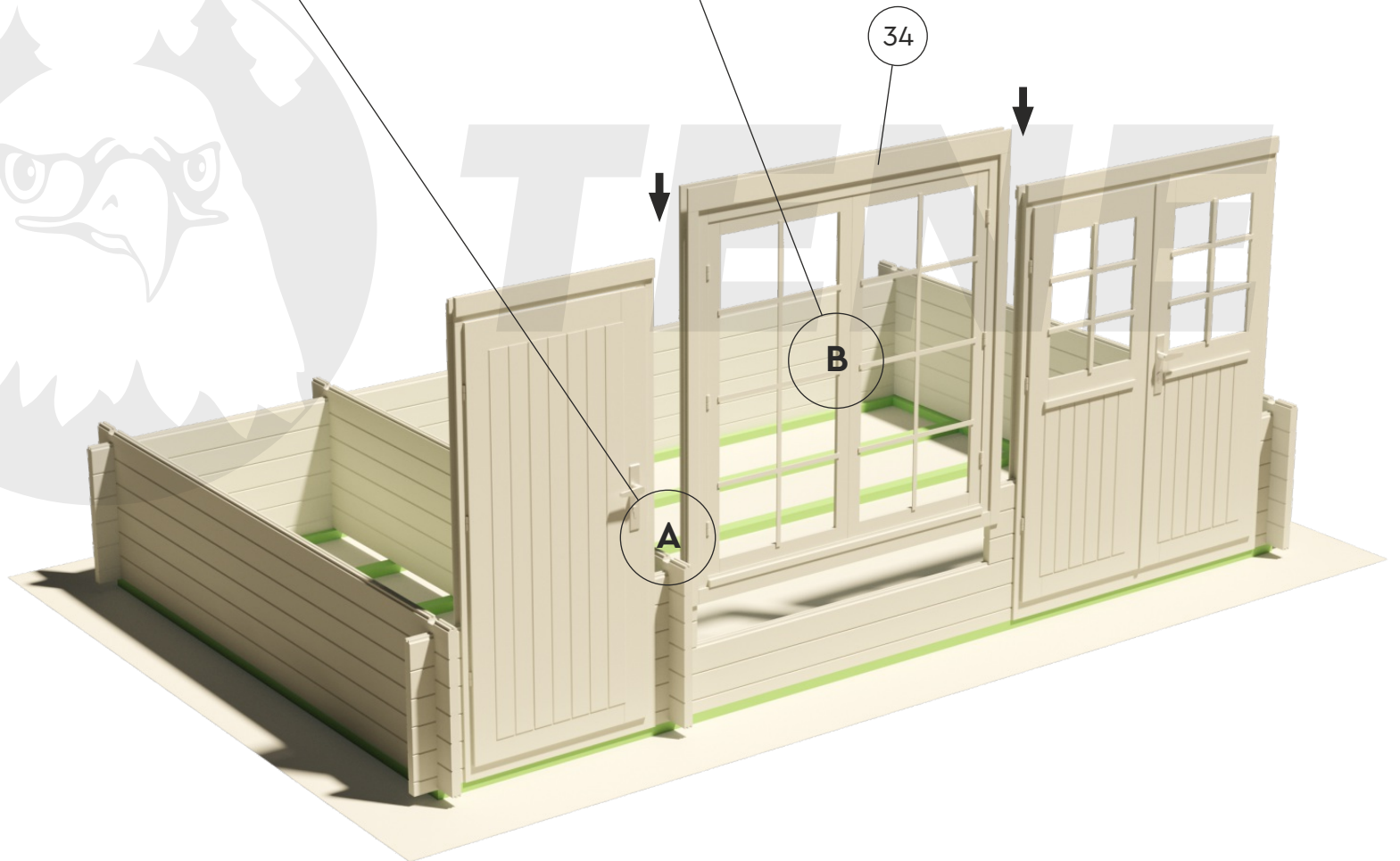
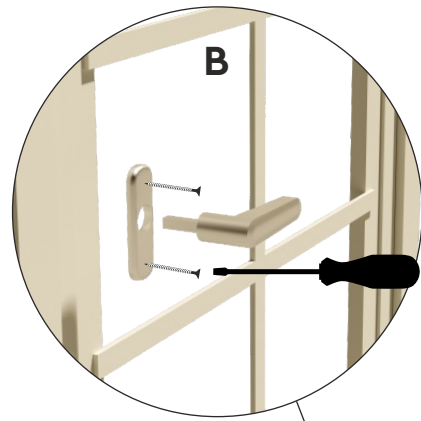
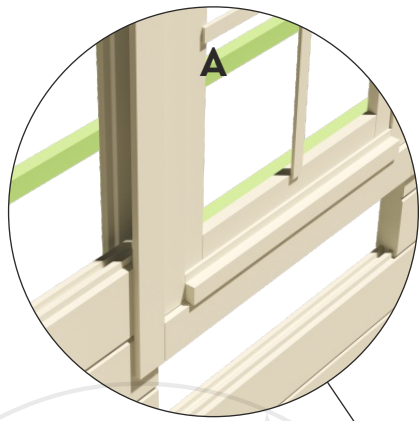
B

B

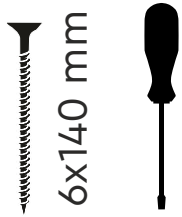
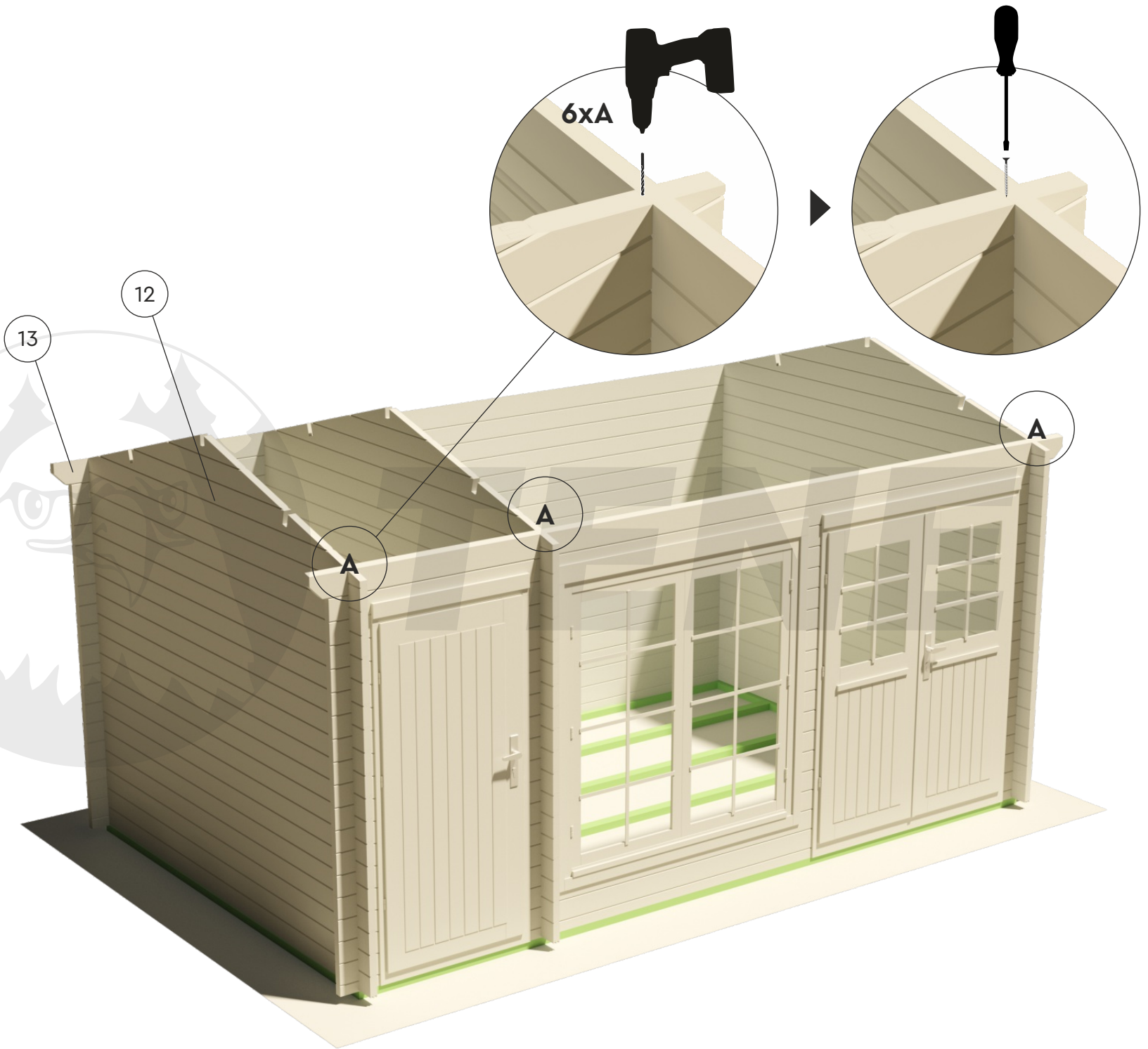
B

11

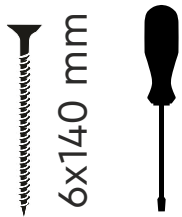
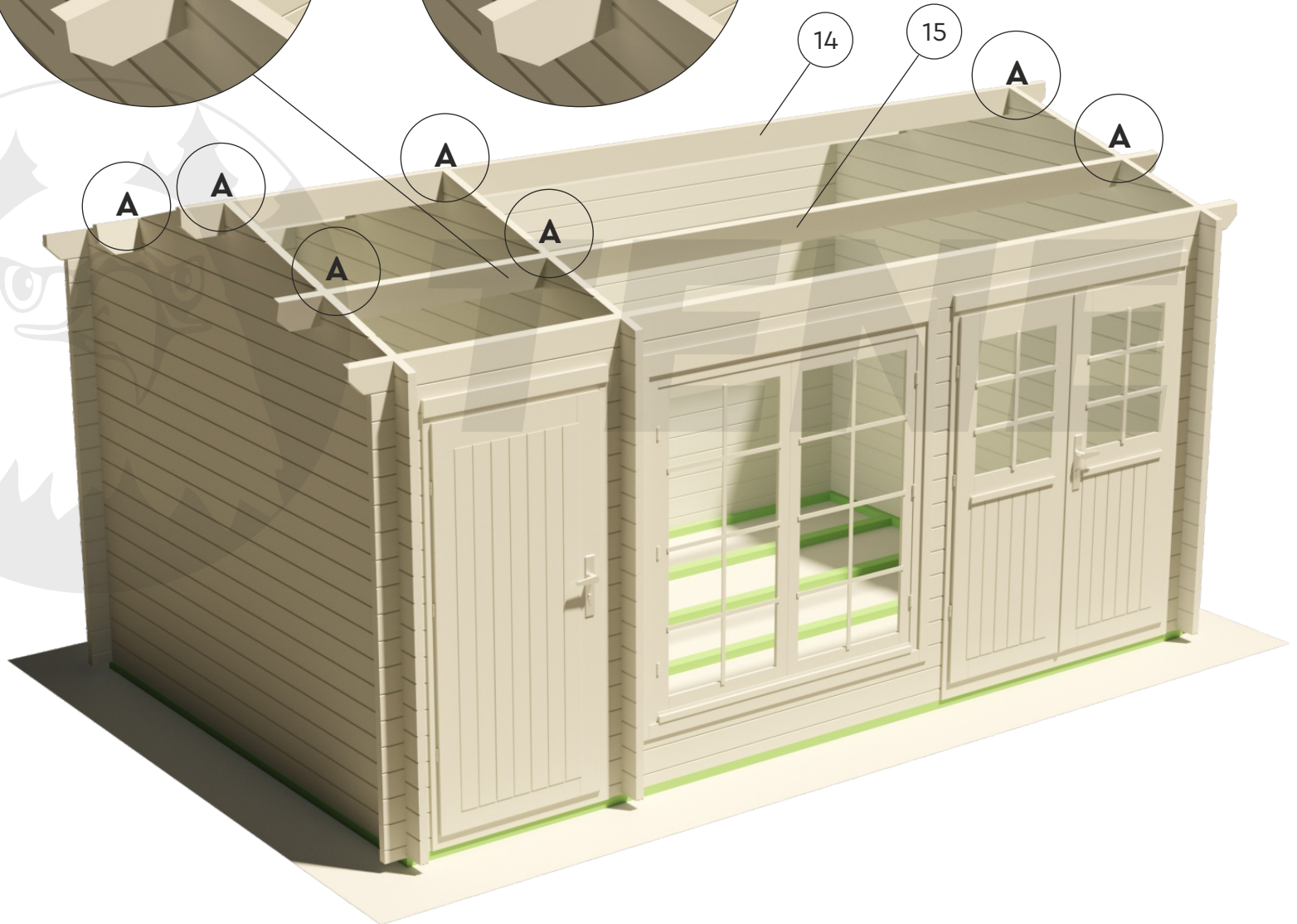
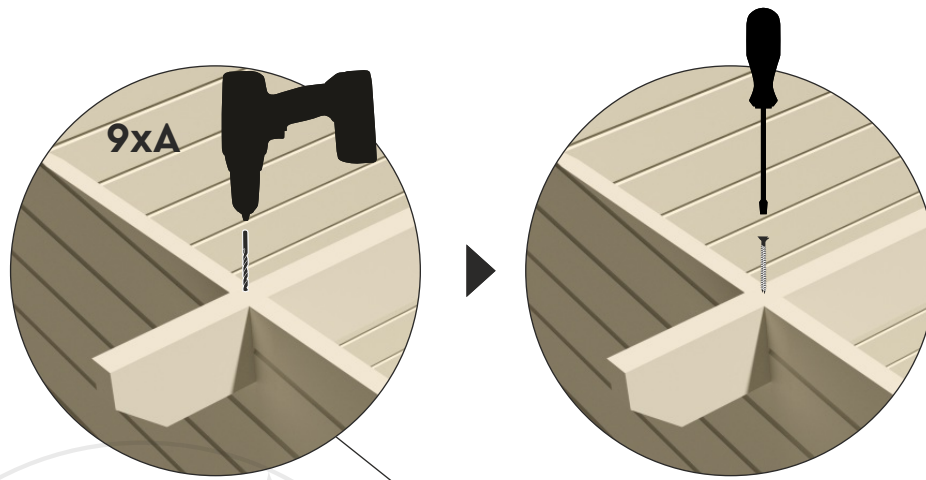




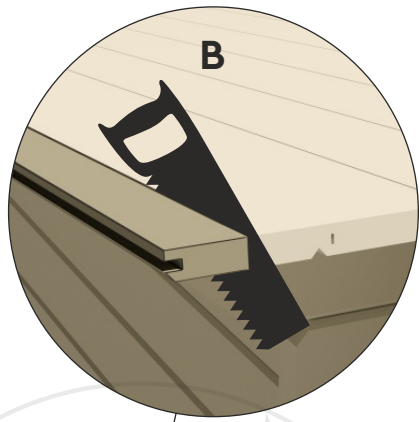
ANDREA 40



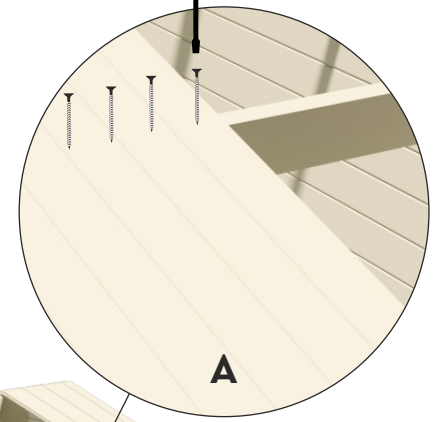
ANDREA 40



ANDREA 40



B

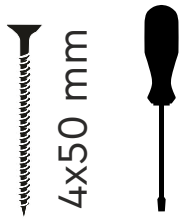
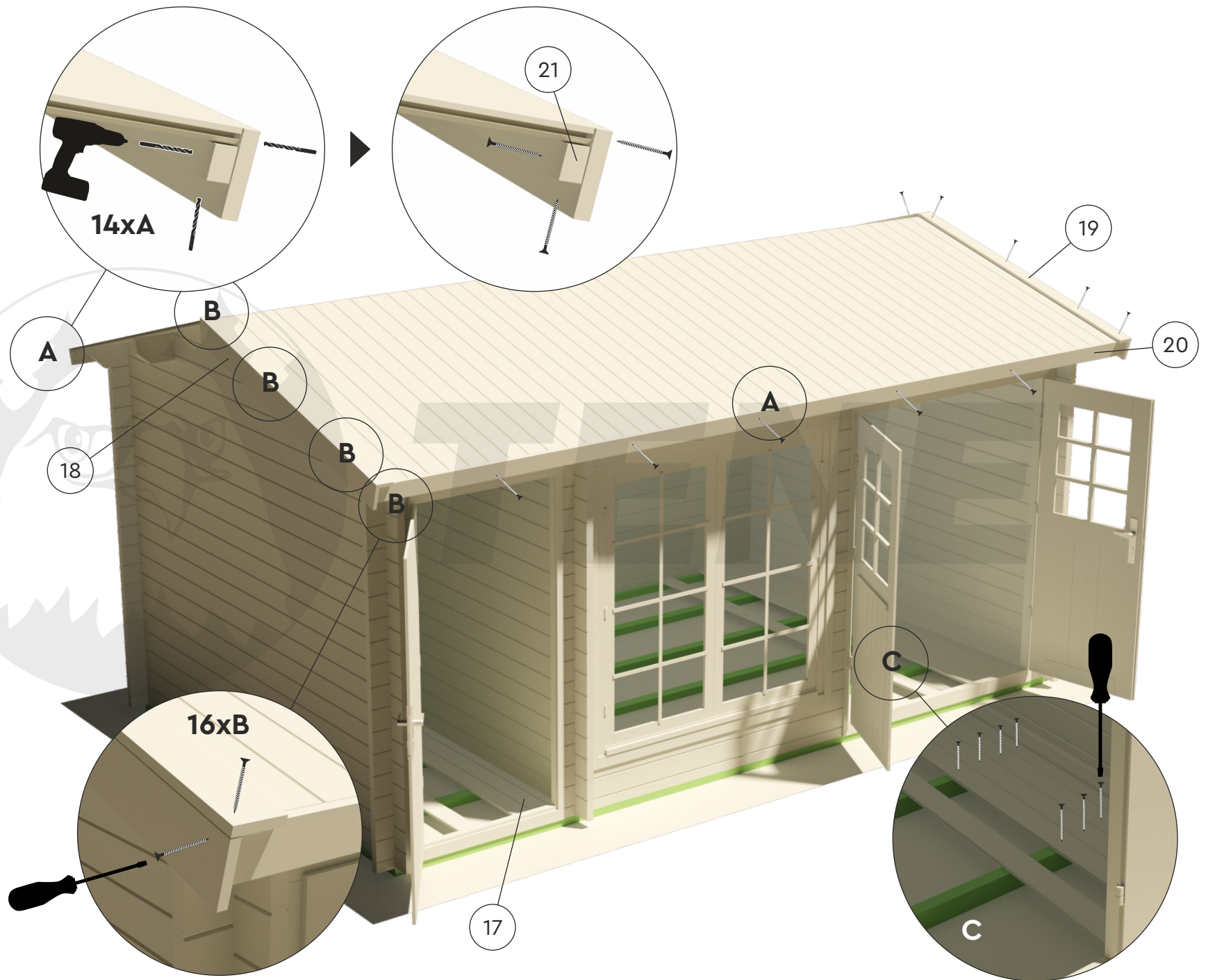


A

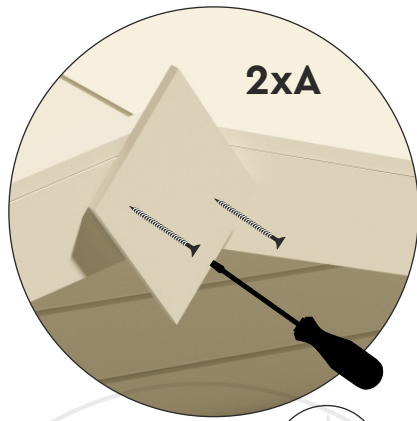
16



ANDREA 40



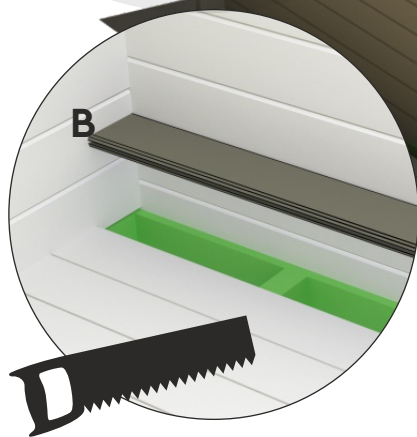
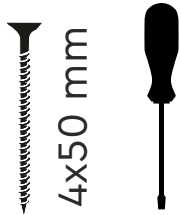
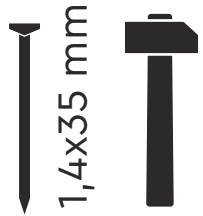
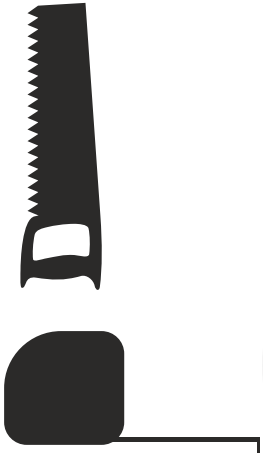
ANDREA 40



22

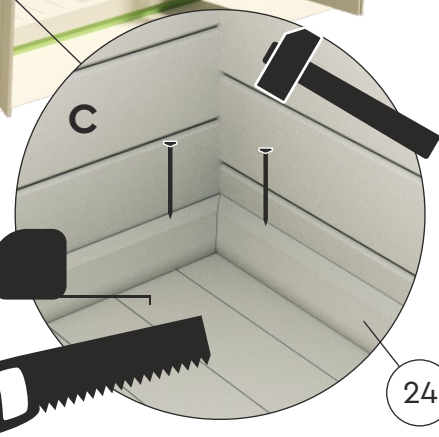
A

A



B

C



24

ANDREA 40

