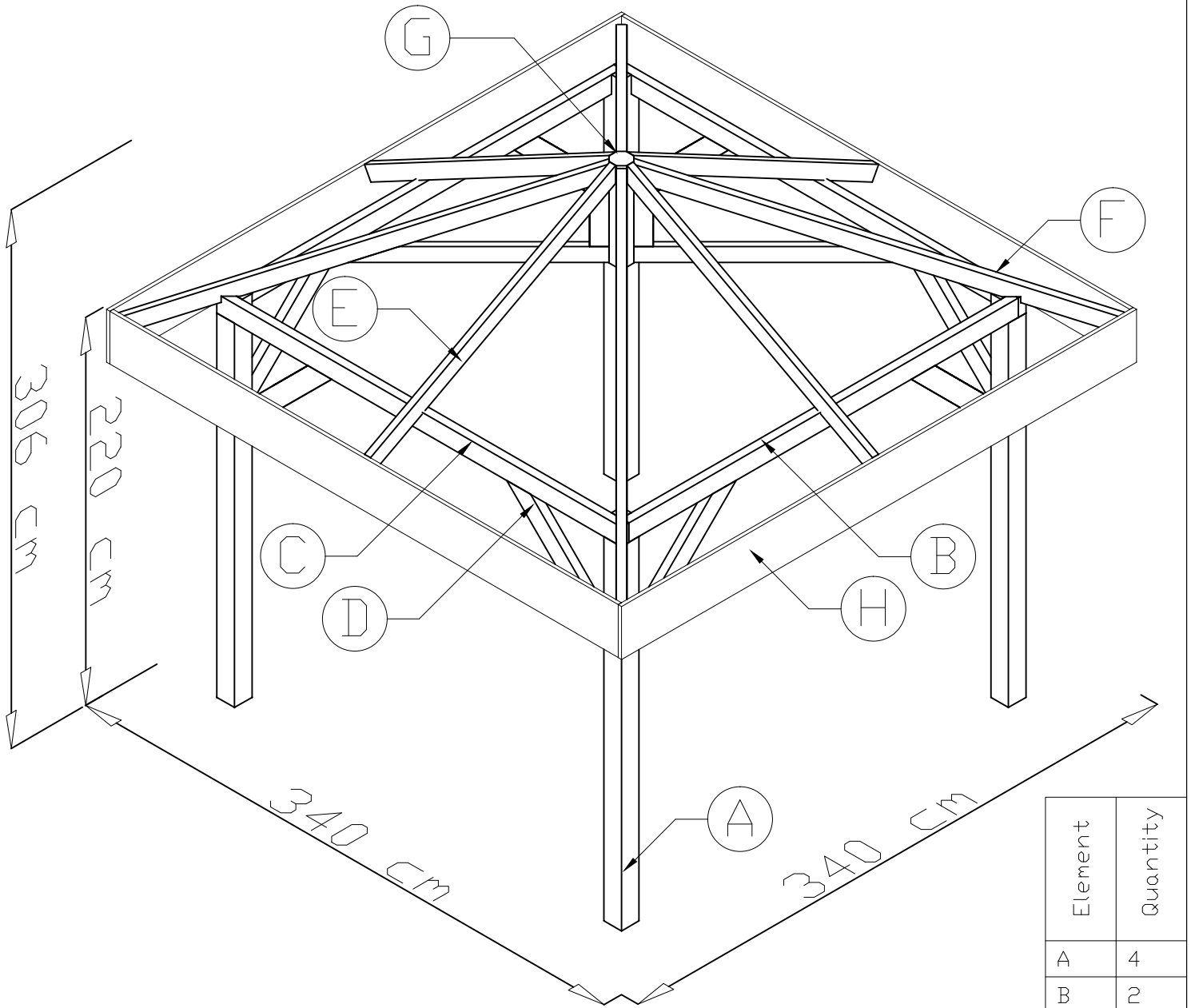


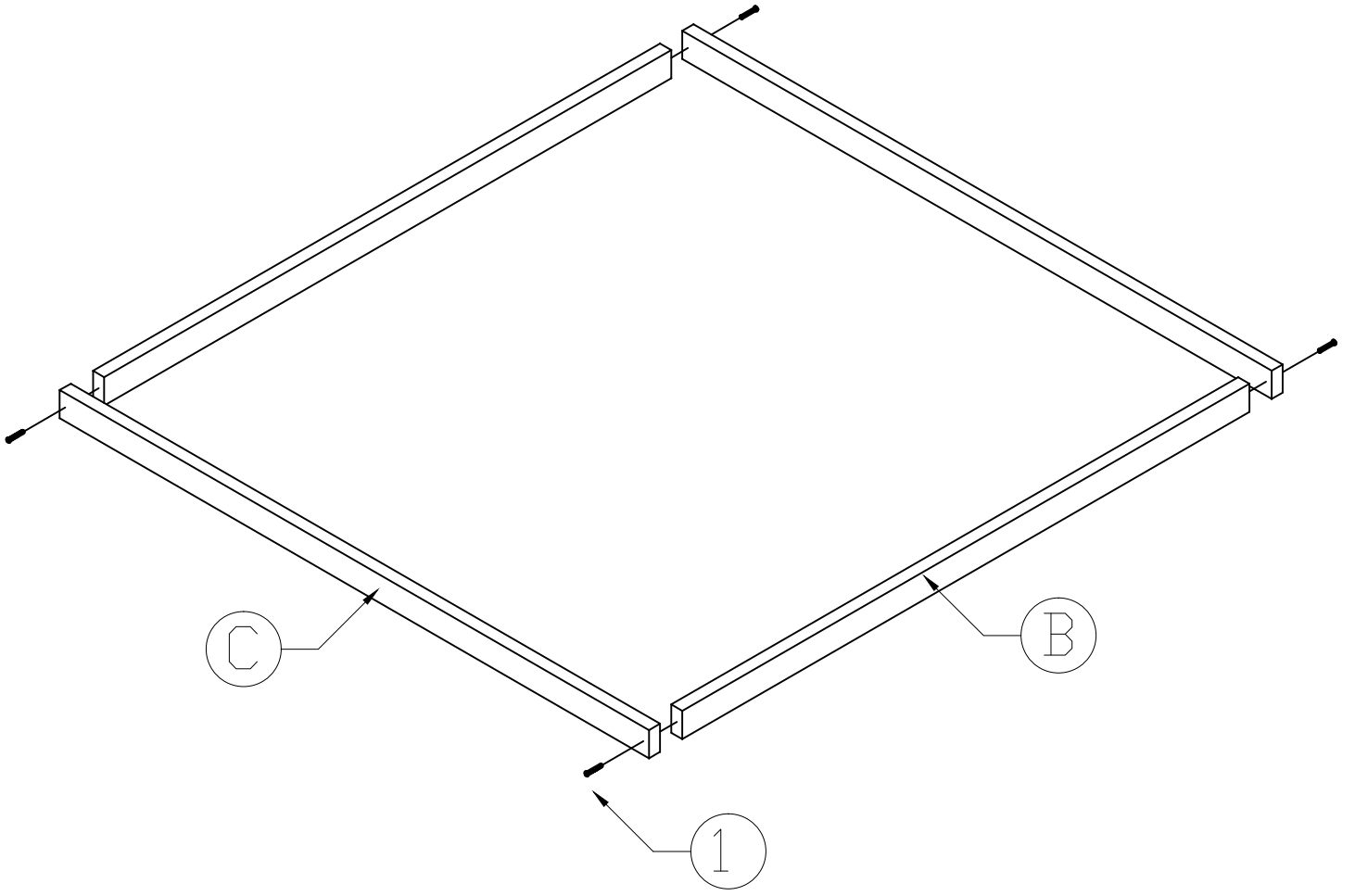


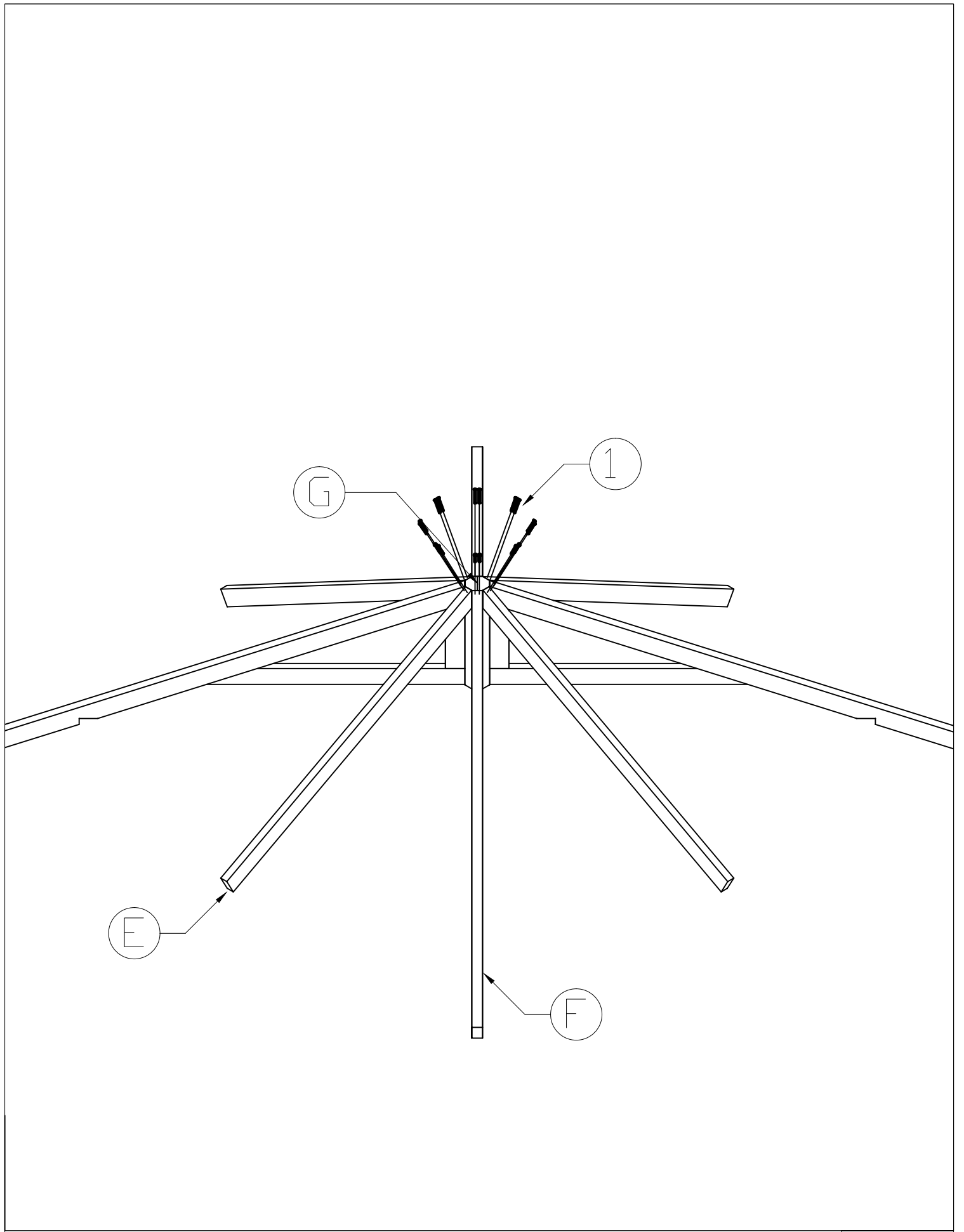
AUFBAUANLEITUNG PAVILLON "ÖKONOM"

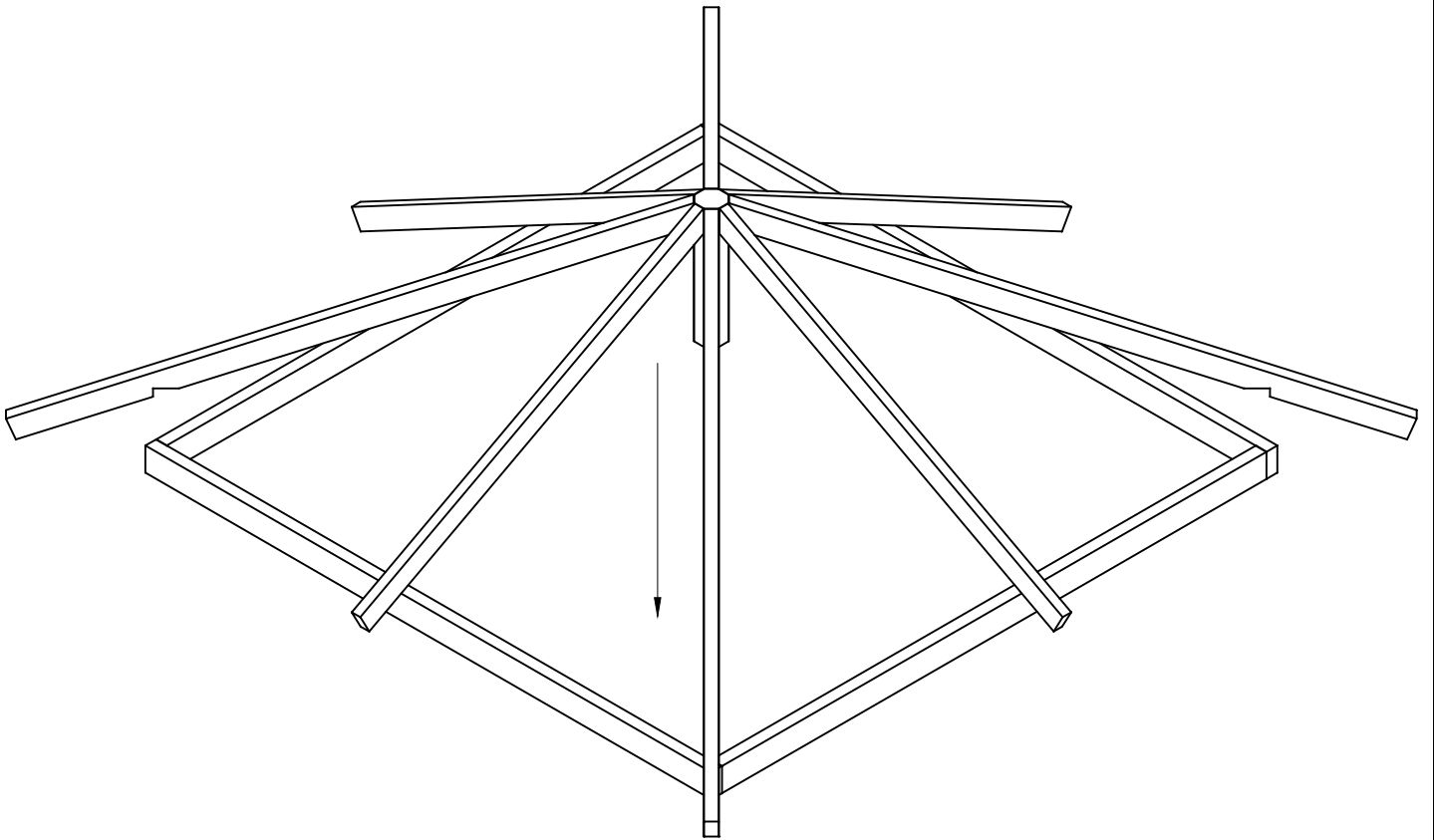


Assembling parts		
#	Element	Q.
1	Wood screw $\varnothing 4 \times 80$	30
2	Nail $\varnothing 4 \times 100$	35

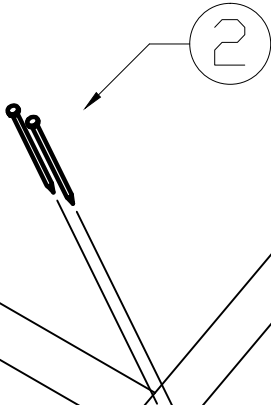
Element	Quantity
A	4
B	2
C	2
D	8
E	4
F	4
G	1
H	4

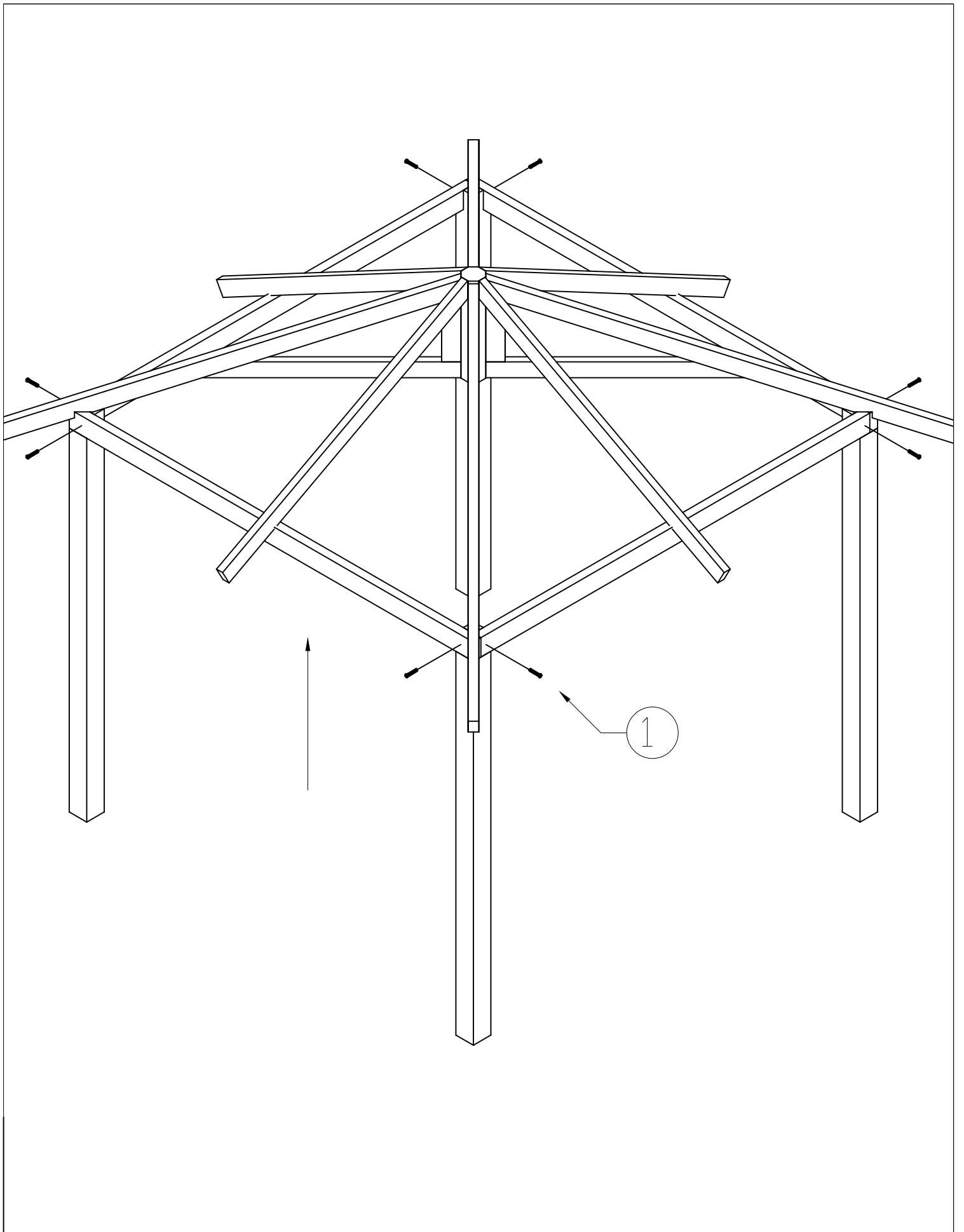


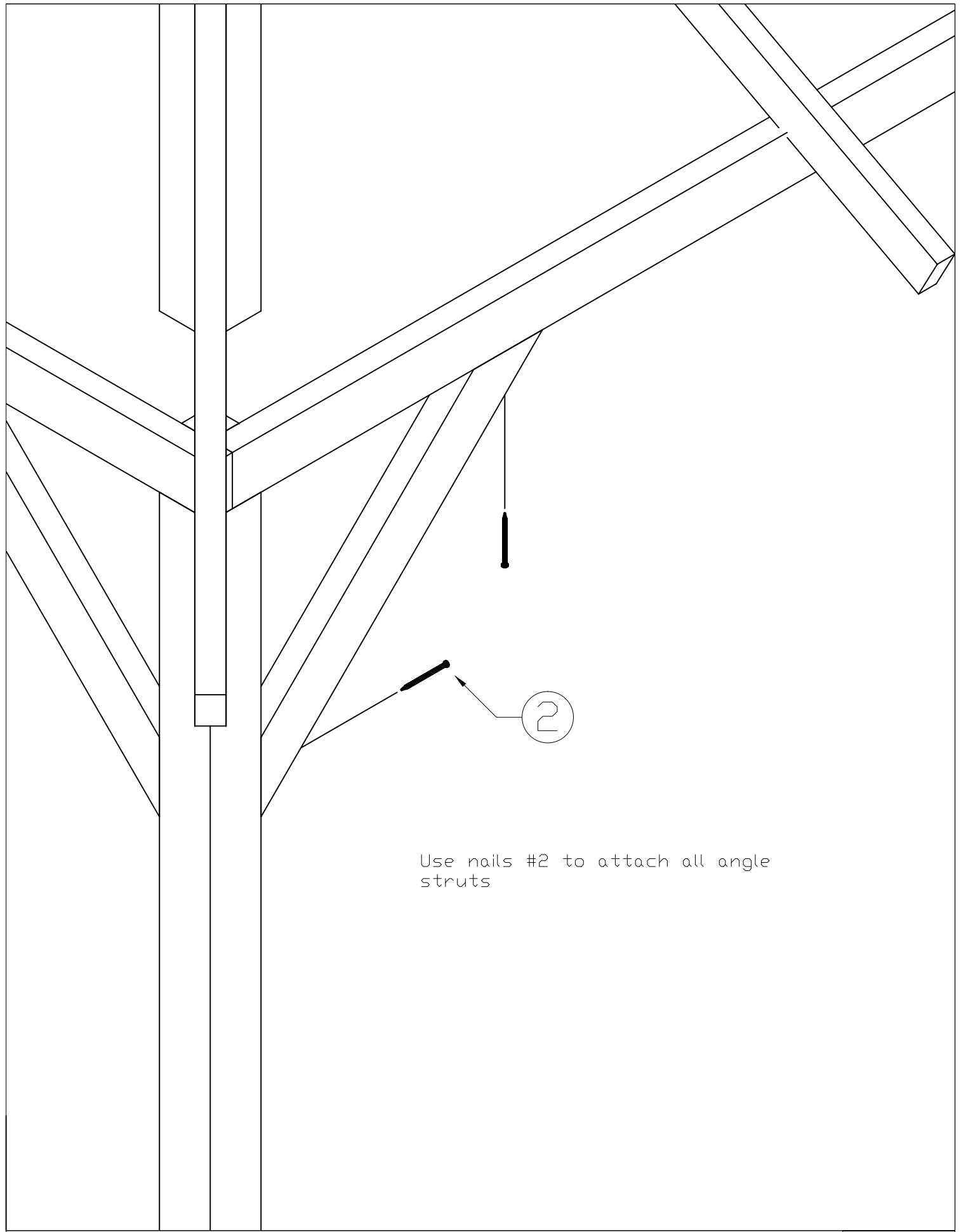




Use nails #2 to attach rafters to
the side beams







Use nails #2 to attach all angle struts

