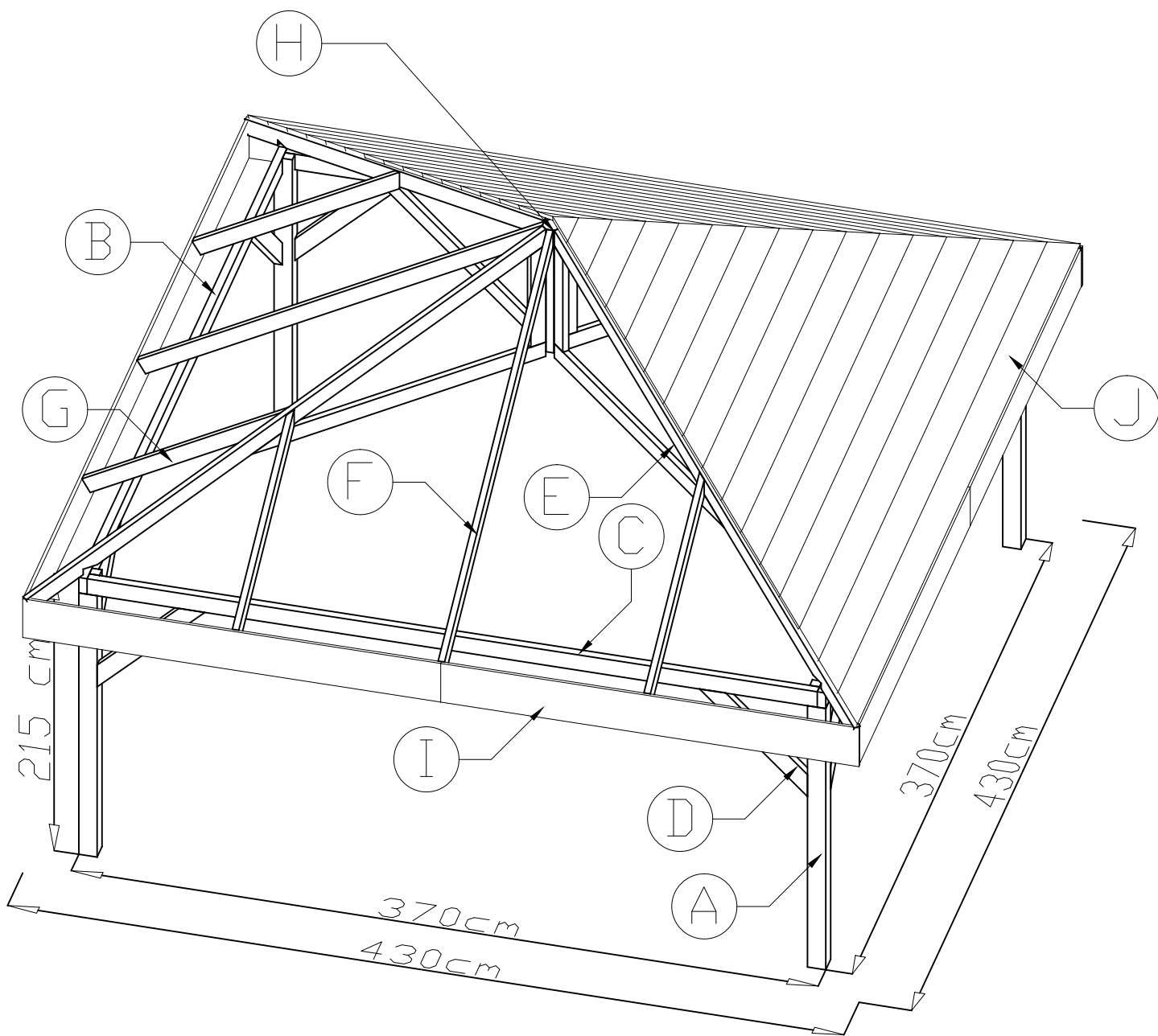


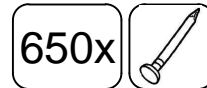
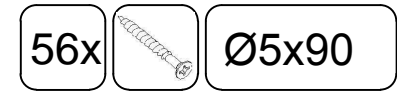
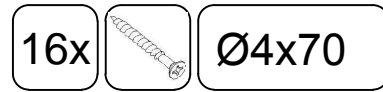
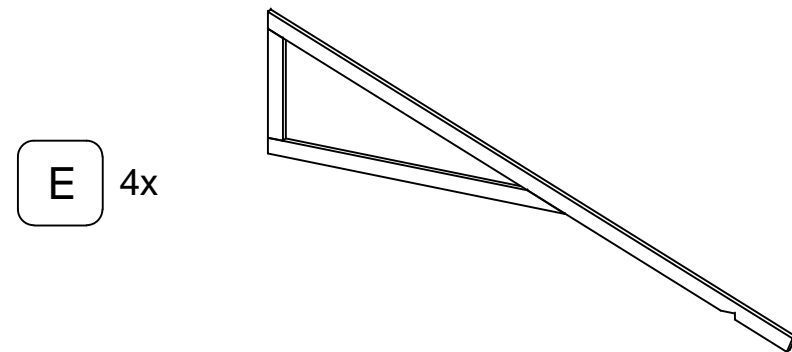
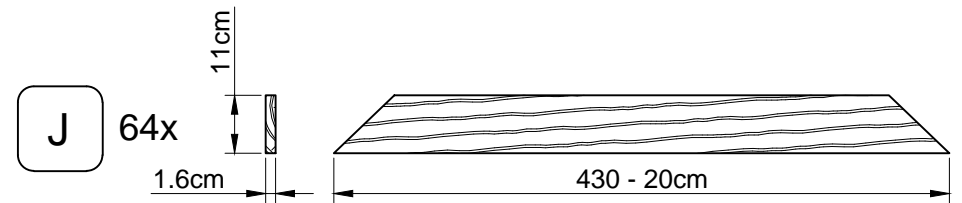
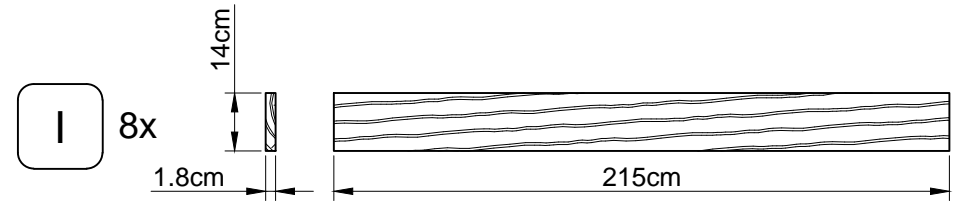
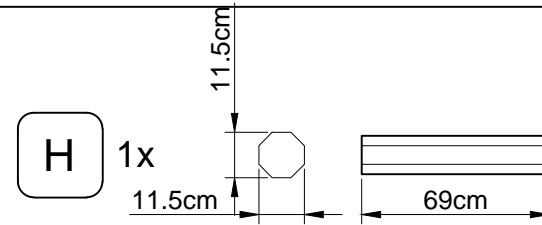
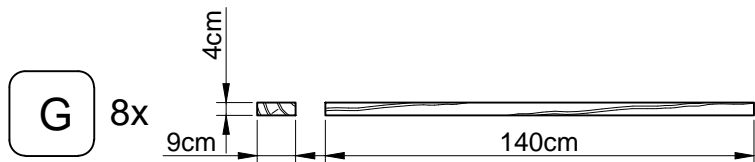
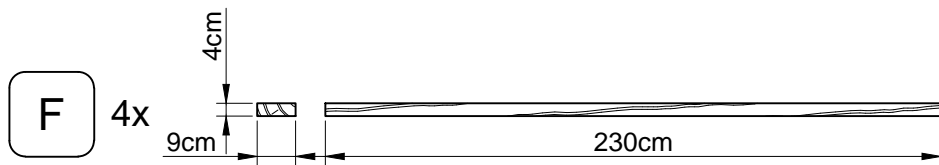
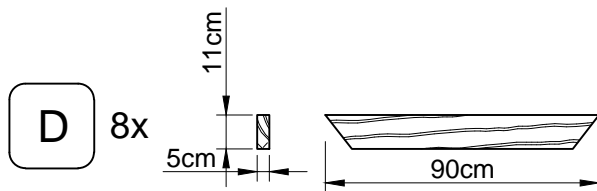
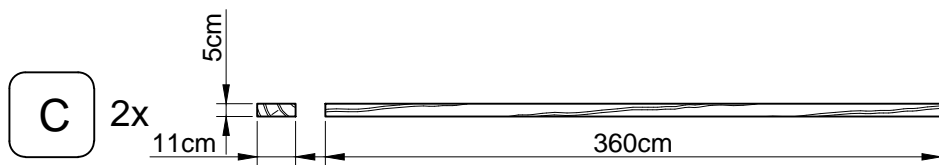
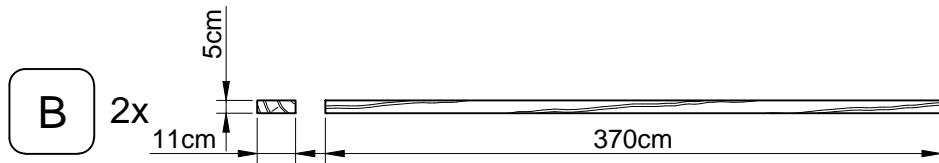
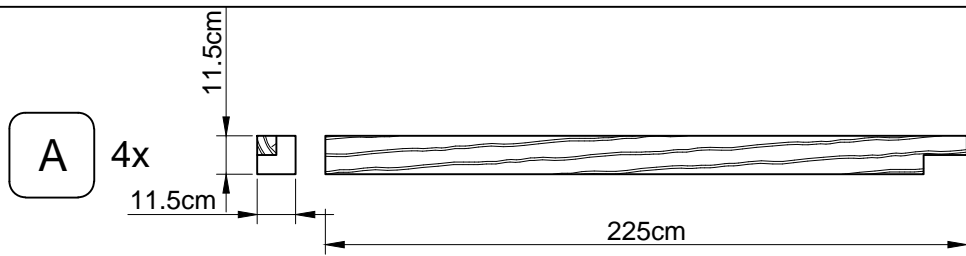
42.4343
Gazebo Classico

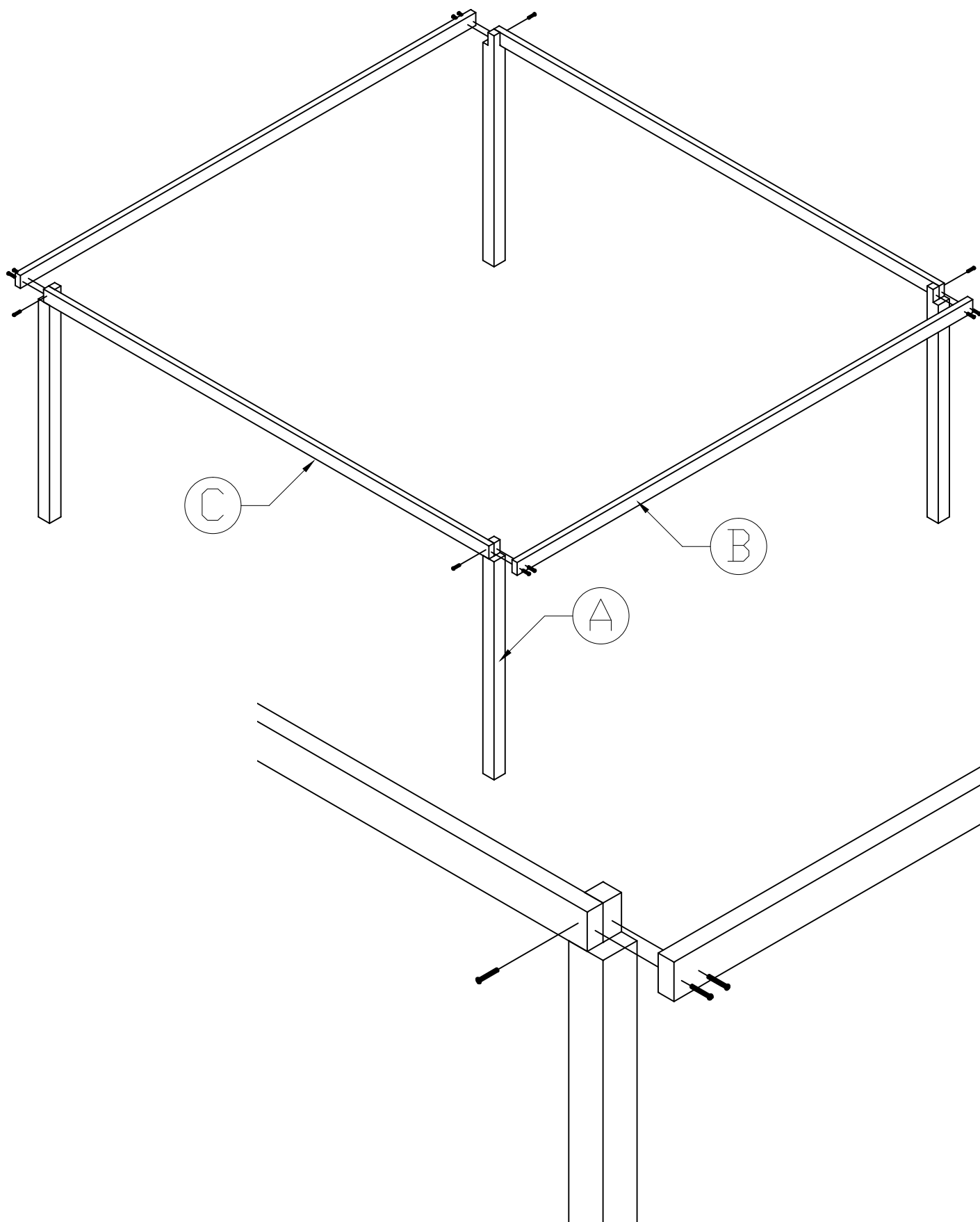


Article:
Gazebo Classico

Article nr:
42.4343

Page:
2/10

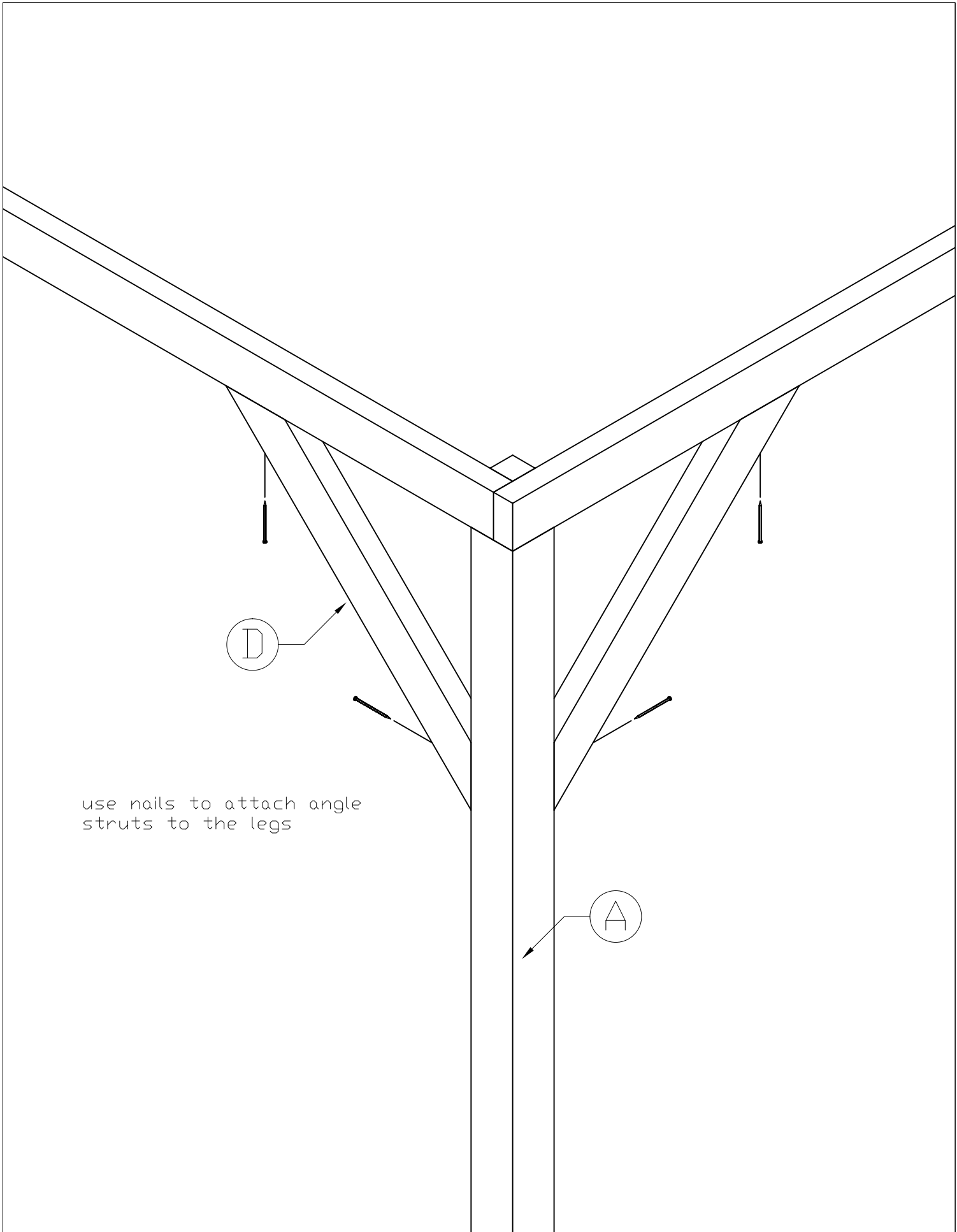




Article:
Gazebo Classico

Article nr:
42.4343

Page:
3/10



use nails to attach angle struts to the legs

D

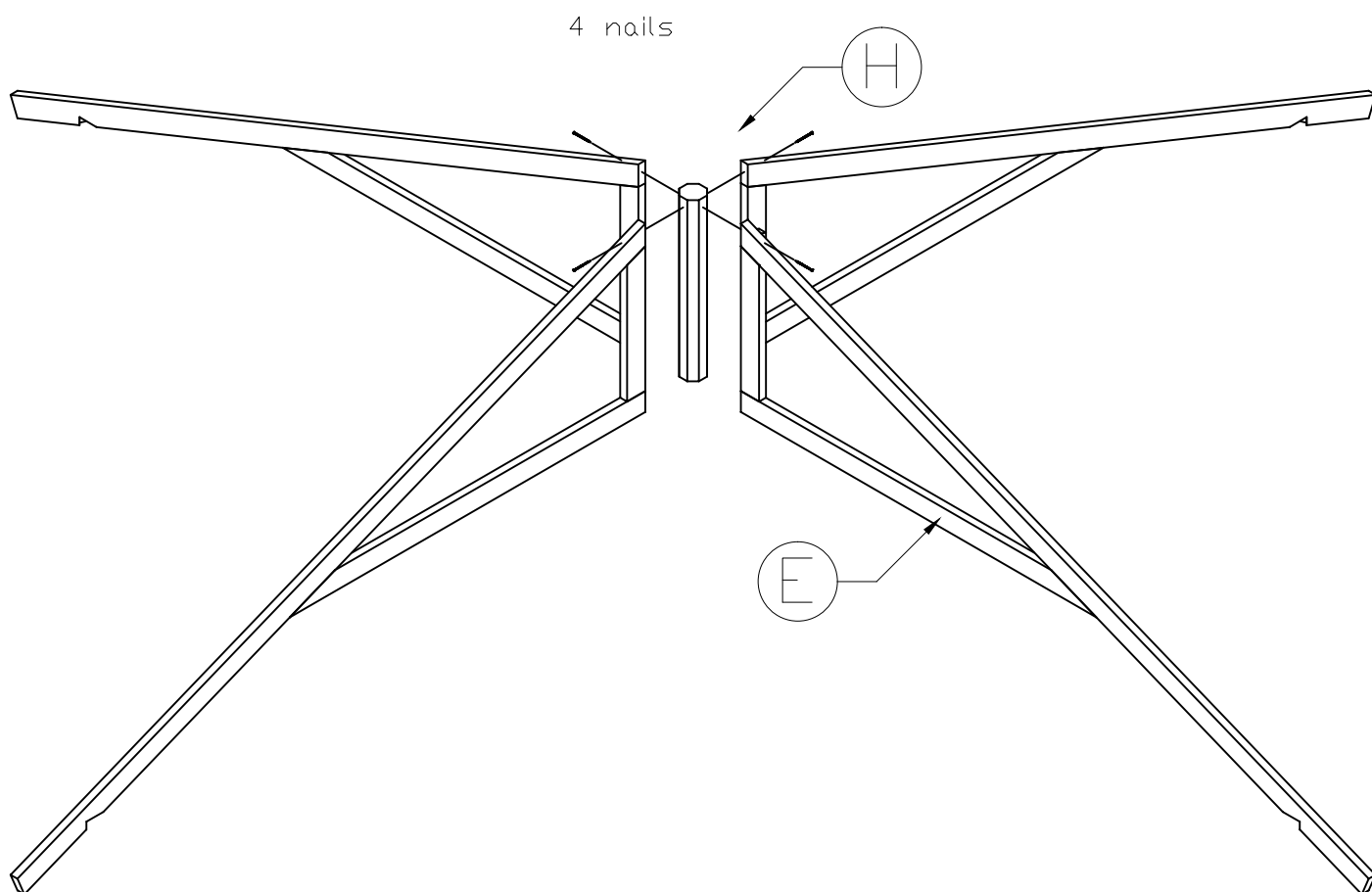
A

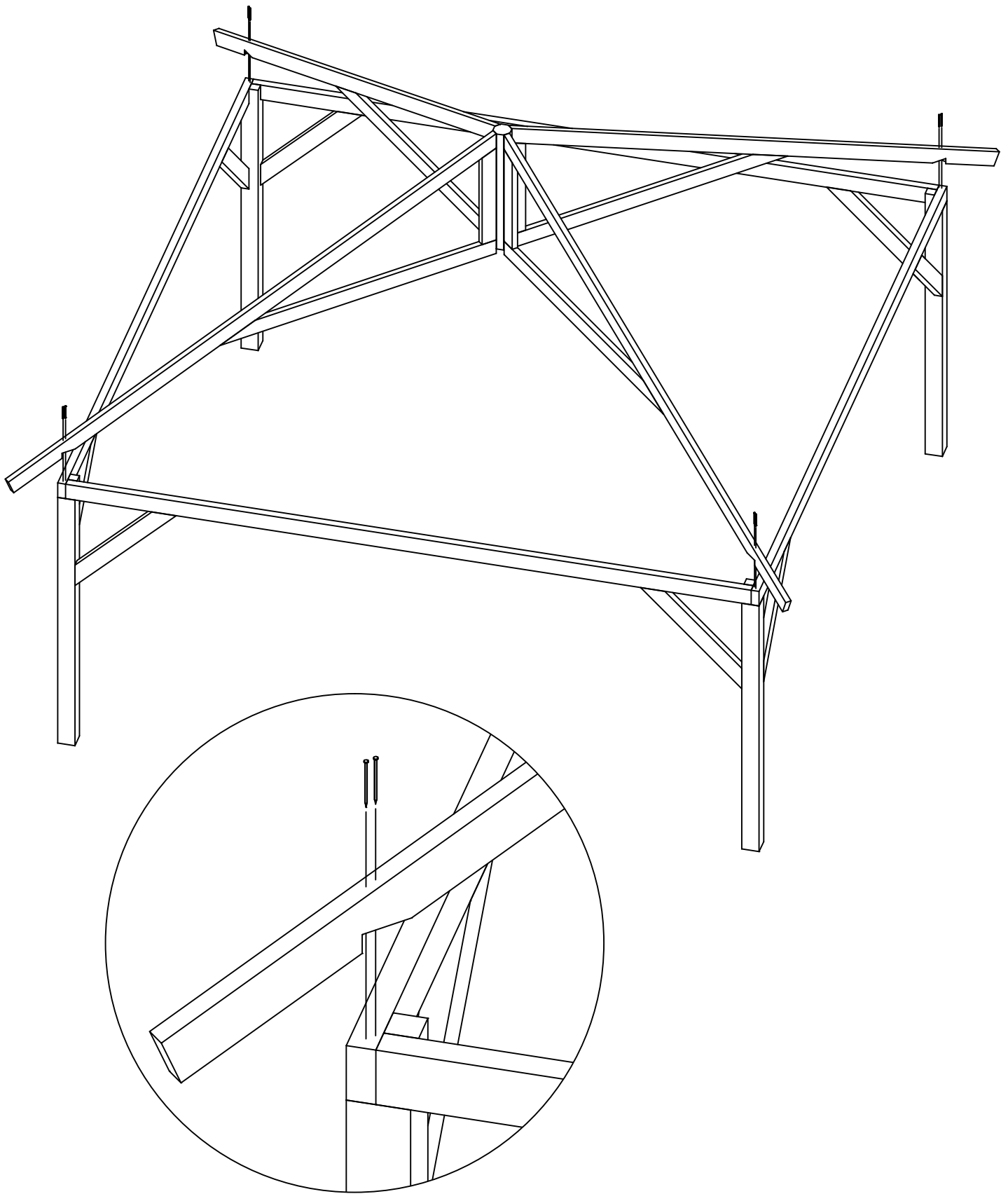
Article:
Gazebo Classico

Article nr:
42.4343

Page:
4/10





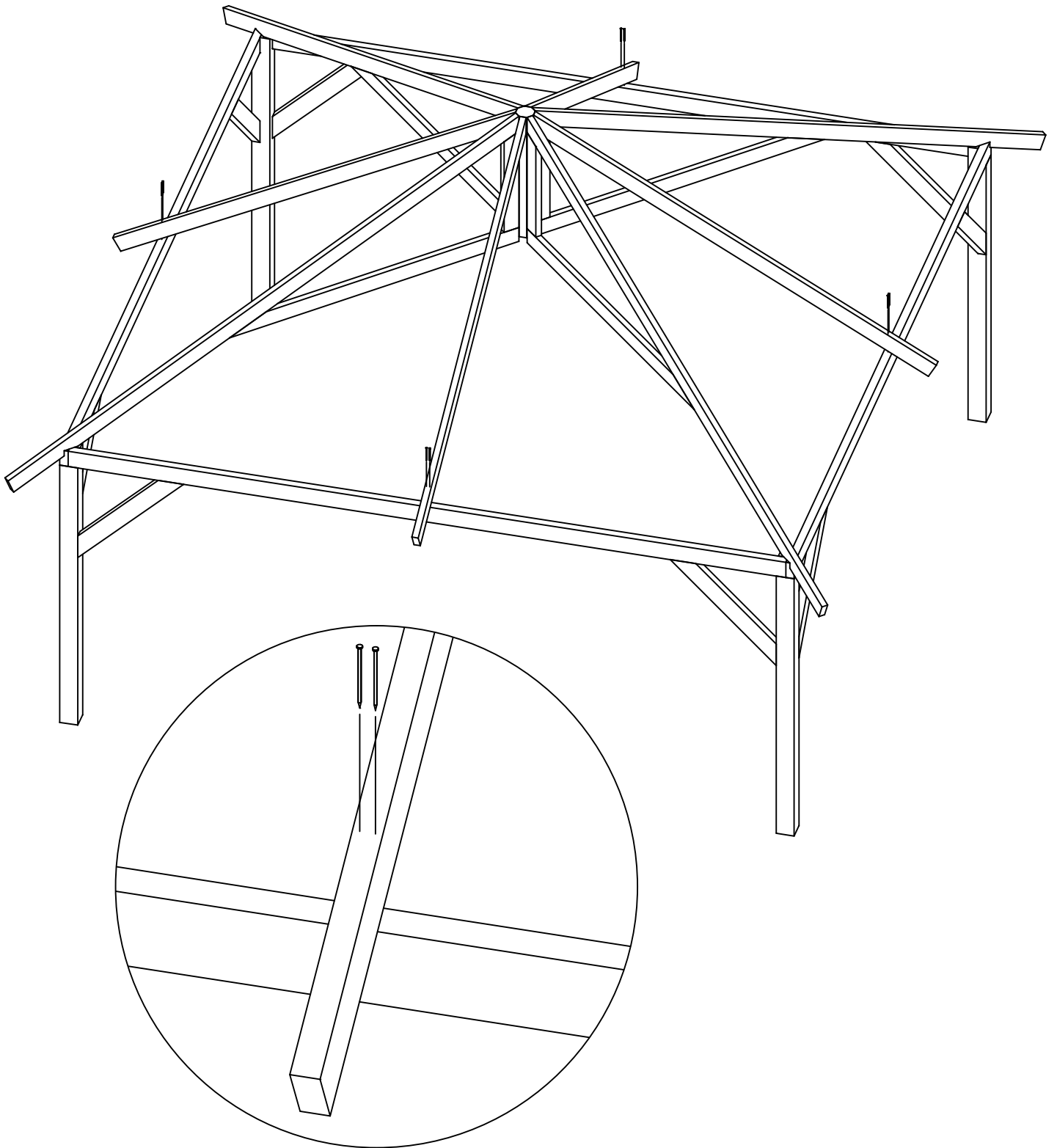


Article:
Gazebo Classico

Page:
6/10

Article nr:
42.4343

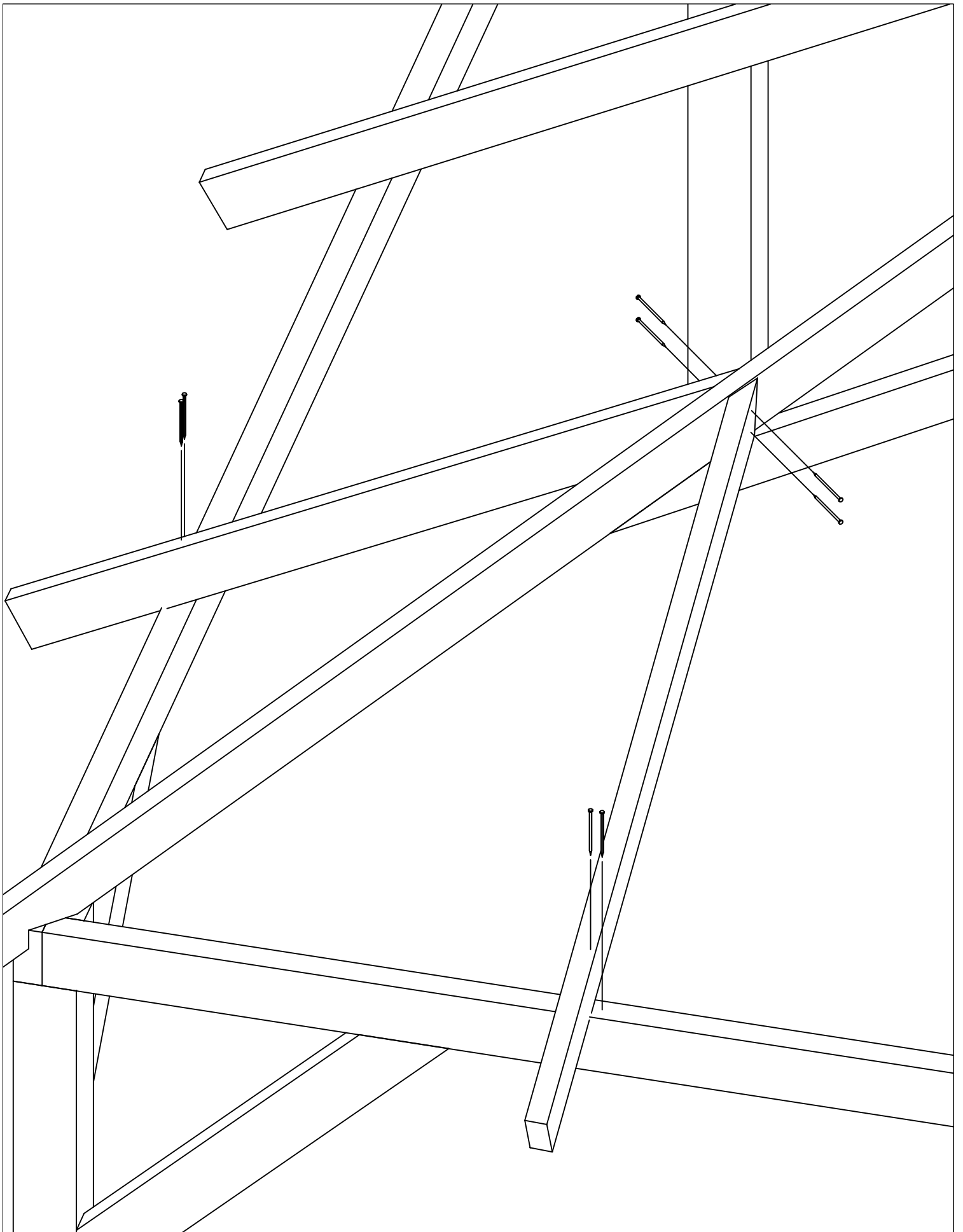




Article:
Gazebo Classico

Article nr:
42.4343

Page:
7/10



Article:

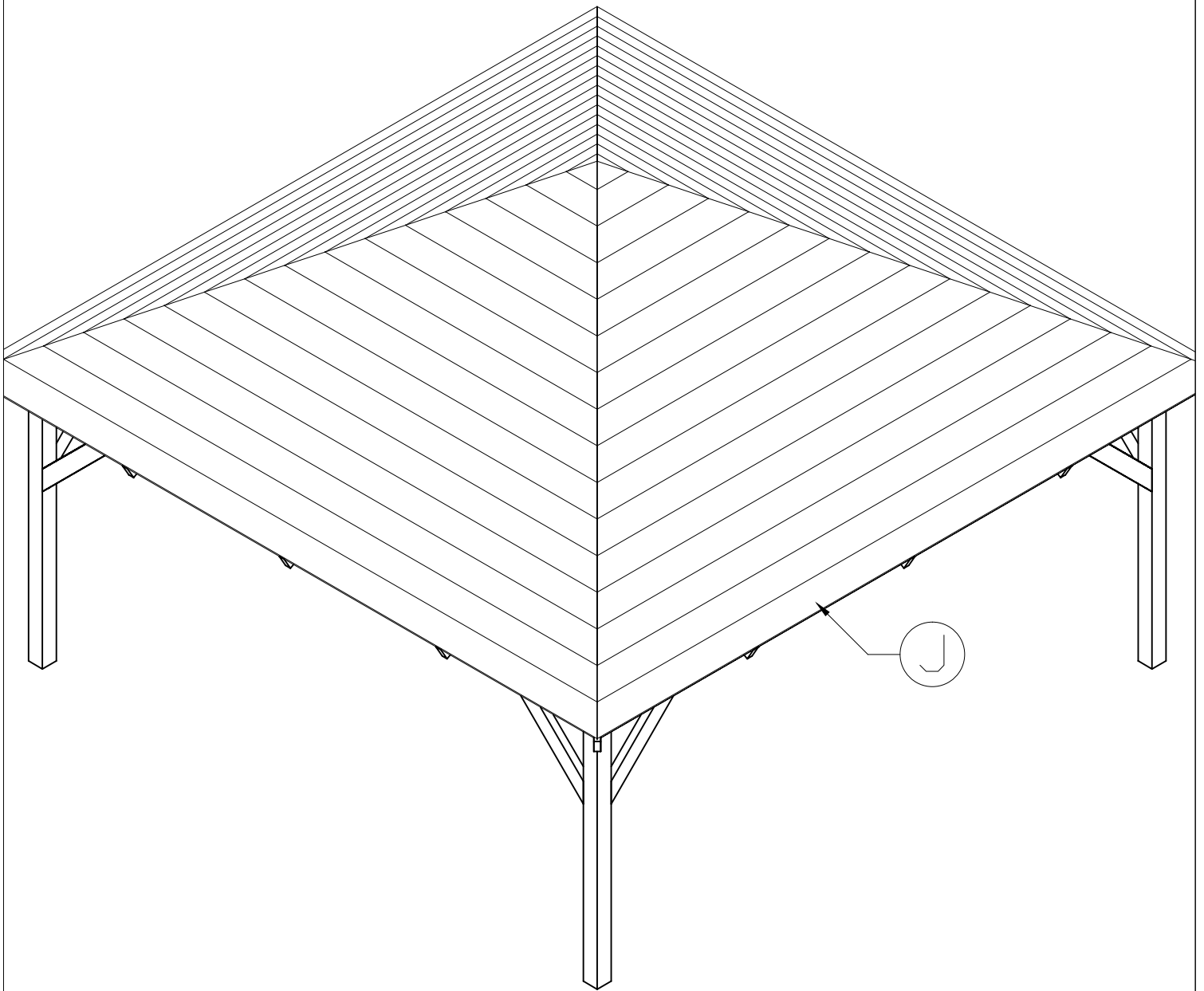
Gazebo Classico

Page:

8/10

Article nr:

42.4343

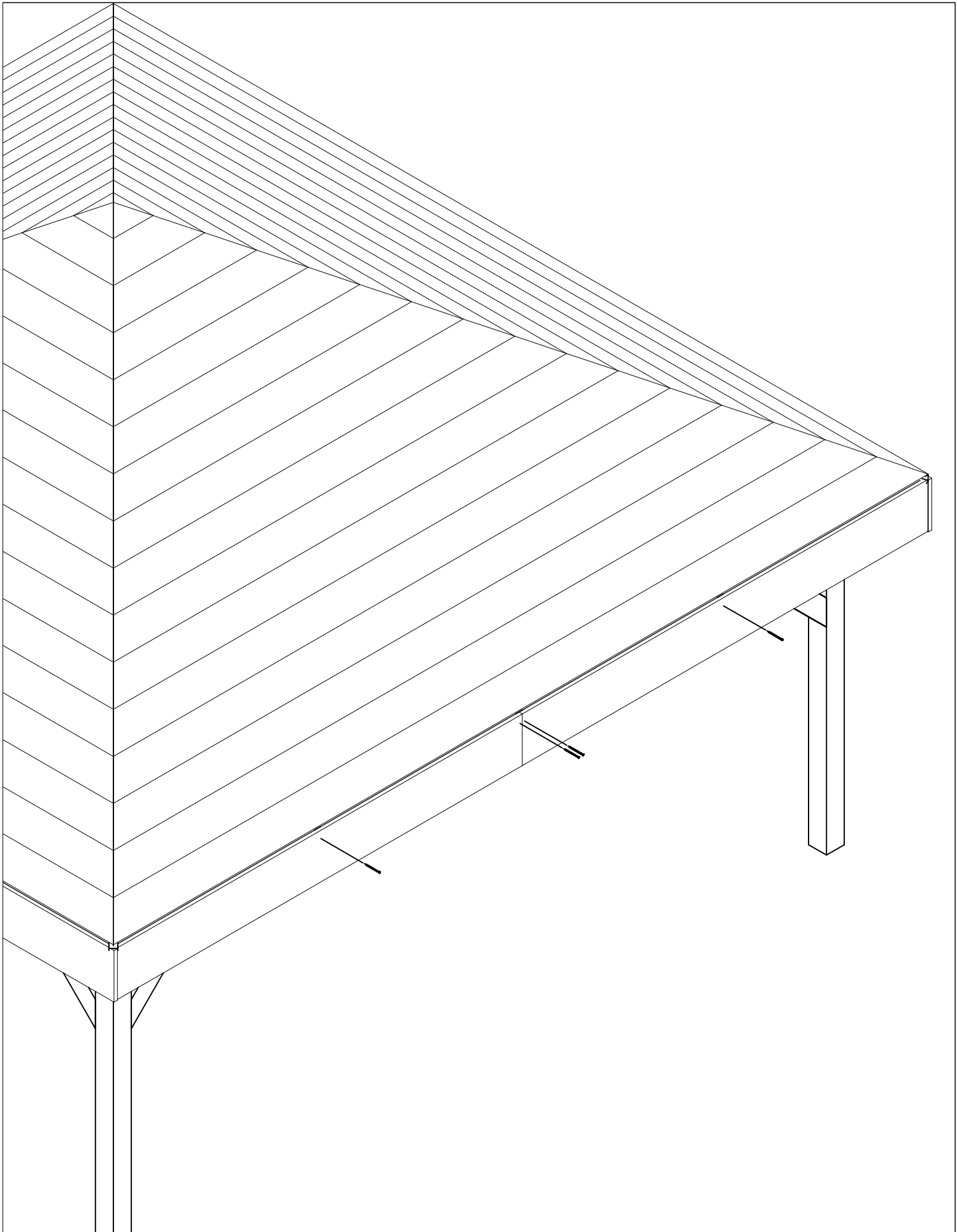


Article:
Gazebo Classico

Page:
9/10

Article nr:
42.4343





Article:
Gazebo Classico

Page:
10/10

Article nr:
42.4343

